

STRAIGHT WALKRAMP

ENCLOSURE PARTS MANUAL



TABLE OF CONTENTS

Lot Number _____	1
Label Kit, Enclosure _____	2
Enclosure, Cable Assembly _____	3
Enclosure, Door Kit _____	4
Enclosure, Door Kit - Narrow Width Walkramp _____	5
Enclosure, Latch Kit _____	6
Enclosure, Roller Kit _____	7
Enclosure, Stop Kit _____	8

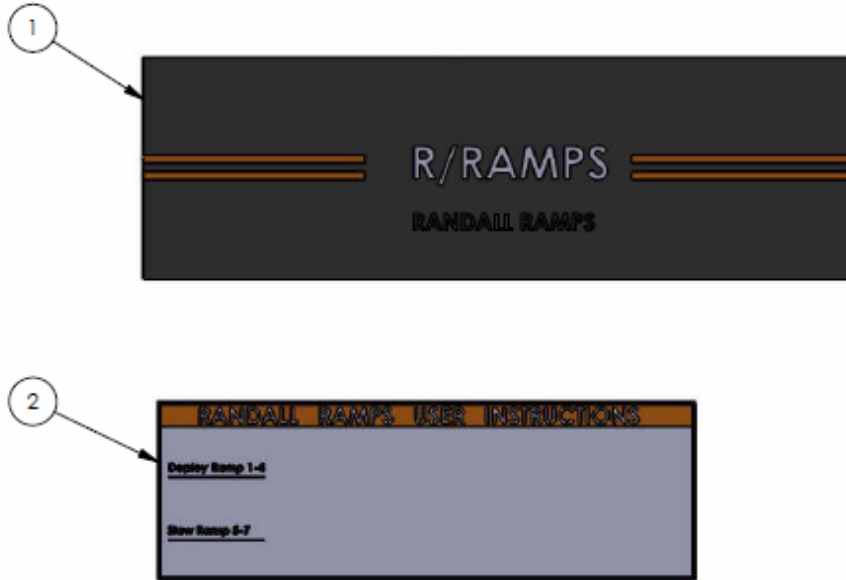
LOT NUMBER LOCATION

PLEASE NOTE: Be sure to check the Lot Number before ordering parts.



Lot Number located on left side of ramp

LABEL KIT, ENCLOSURE



Label Kit, Enclosure, Part No. 05-25-1116

Item #	Part Description	Quantity
1	LABEL, RAMP ENCLOSURE, MAIN, DOOR	1
2	LABEL, USER INSTRUCTIONS, STRAIGHT RAMP	1

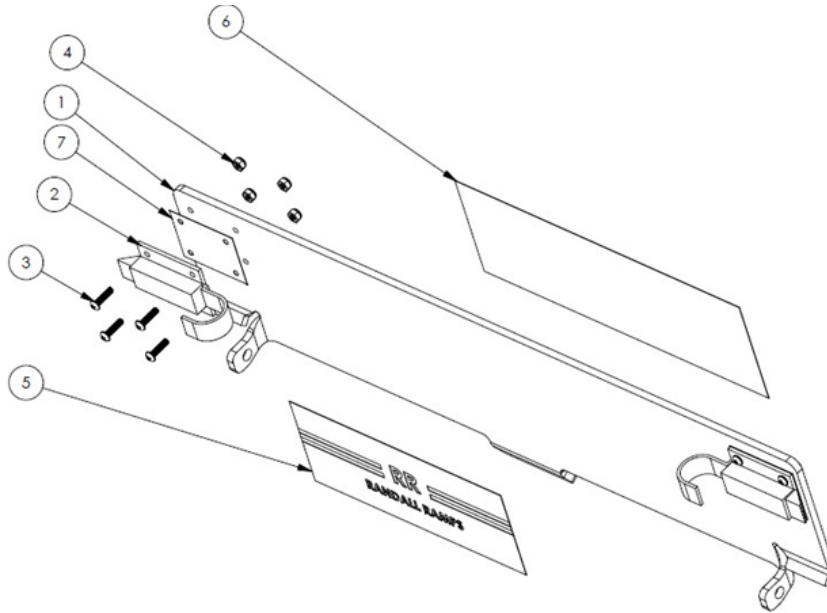
ENCLOSURE, CABLE ASSEMBLY



Cable Assembly, Part No. 05-25-1075

Item #	Part Description	Quantity
1	CABLE ASSEMBLY	1

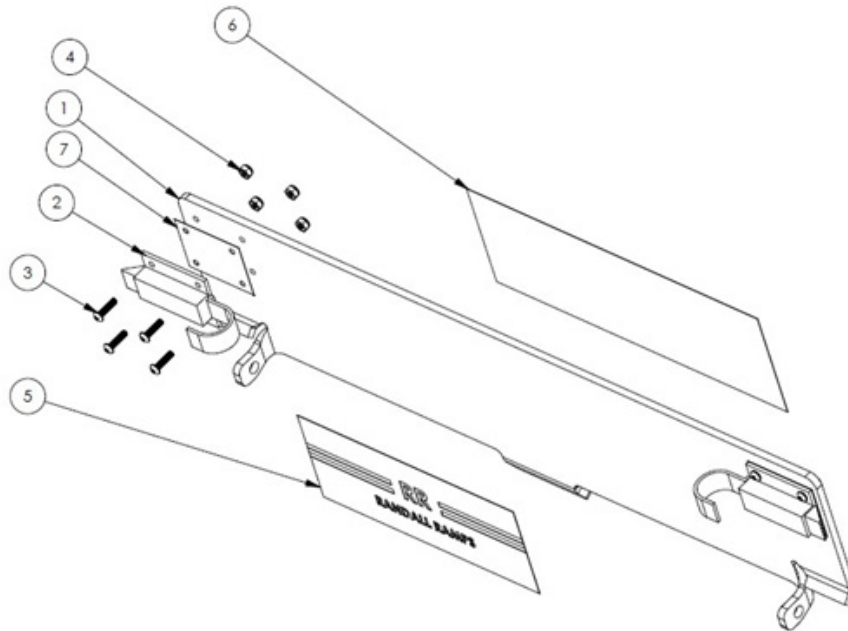
ENCLOSURE, DOOR KIT



Enclosure, Door Kit, Part No. 05-25-1017

Item #	Part Description	Quantity
1	DOOR W/ BEND, 26"W RAMP ENCLOSURE	1
2	LATCH, SLAM, RAMP ENCLOSURE, SS	2
3	PPHMS #10-32 X 3/4", SS	8
4	HLNN, #10-32, SS	8
5	LABEL, RAMP ENCLOSURE, MAIN DOOR	1
6	LABEL, USER INSTRUCTIONS, STRAIGHT RAMP	1
7	SHIM, SLAM LATCH, PLASTIC	2

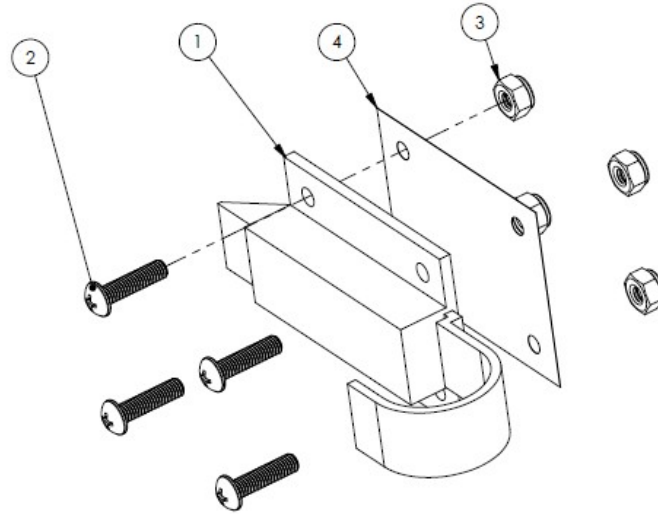
ENCLOSURE, DOOR KIT - NARROW WIDTH WALKRAMP



Enclosure, Door Kit, Part No. 05-25-1046

Item #	Part Description	Quantity
1	LATCH, SLAM, RAMP ENCLOSURE, SS	2
2	PPHMS #10-32 X 3/4", SS	8
3	HLNN #10-32, SS	8
4	LABEL, RAMP ENCLOSURE, MAIN DOOR	1
5	LABEL, USER INSTRUCTIONS, STRAIGHT RAMP	1
6	DOOR W/ BEND, 25"W RAMP ENCLOSURE	1
7	SHIM, SLAM LATCH, CLEAR PLASTIC	2

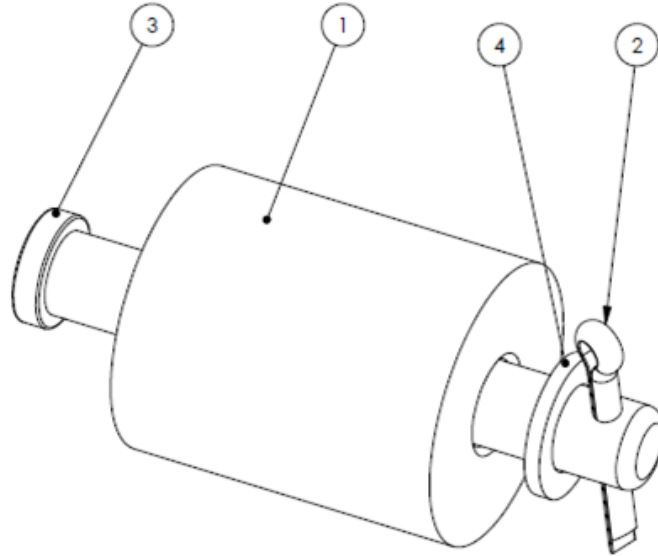
ENCLOSURE, LATCH KIT



Enclosure, Latch Kit, Part No. 05-25-1022

Item #	Part Description	Quantity
1	LATCH, SLAM, RAMP ENCLOSURE, SS	1
2	PPHMS #10-32 X 3/4", SS	4
3	HLNN, #10-32, SS	4
4	SHIM, SLAM LATCH, PLASTIC	1

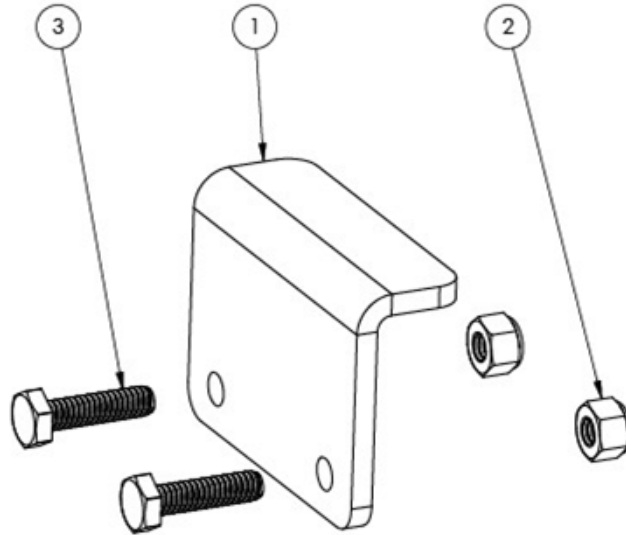
ENCLOSURE, ROLLER KIT



Enclosure, Roller Kit, Part No. 05-25-1000

Item #	Part Description	Quantity
1	ROLLER, RAMP ENCLOSURE, UHMW	1
2	PIN, COTTER, 1/8" DIA. 1"L, CAD	1
3	PIN, CLEVIS, 3/8" X 2-3/4"	1
4	WASHER, .39 ID .63 OD .07 T, CAD	1

ENCLOSURE, STOP KIT



Enclosure, Stop Kit, Part No. 05-25-1036

Item #	Part Description	Quantity
1	STOP BRACKET, STRAIGHT RAMP ENCLOSURE	1
2	HLNN, 1/4"-20, G5, ZN	2
3	HHCS, 1/4"-20 x 1", G8, ZN	2