

# STRAIGHT WALKRAMP

---

## PARTS MANUAL



## TABLE OF CONTENTS

Lot Number _____	1
Label Kit, Straight Walkramp _____	2
Apron & Hardware Kit _____	3
Apron & Hardware Kit - Narrow Width Walkramp _____	4
Apron & Hardware Kit for Lift Assist _____	5
Apron & Hardware Kit for Lift Assist - Narrow Width Walkramp _____	6
Coupling Nut Kit _____	7
Extruded Panel Kit _____	8
Extruded Panel Kit - Narrow Width Walkramp _____	9
Finger Grip Kit _____	10
Lift Assist Kit with Hardware (Replacement) _____	11
Lift Assist Kit with Hardware (Retrofit) _____	12
Lift Assist Kit with Hardware - Narrow Width Walkramp (Replacement) _____	13
Lift Assist Kit with Hardware - Narrow Width Walkramp (Retrofit) _____	14
Lift Assist Kit w/Hardware, Short Throw (Replacement) _____	15
Lift Assist Kit w/Hardware, Short Throw (Retrofit) _____	16
Lift Assist Kit w/Hardware, Short Throw – Narrow Width Walkramp (Replacement) _____	17
Lift Assist Kit w/Hardware, Short Throw – Narrow Width Walkramp (Retrofit) _____	18
Lift Assist, Cross Bar Kit, Short Throw _____	19
Lift Assist, Cross Bar Kit, Short Throw – Narrow Width Walkramp _____	20

## TABLE OF CONTENTS

Lift Assist, Spring & Gas Shock Kit, Long Throw _____	21
Lift Assist, Spring & Gas Shock Kit, Short Throw _____	22
Lift Assist, Wheel Kit _____	23
Rev. A Side Rails _____	24
Rev. B Side Rails _____	25
Rev. A Toe Plate & Hardware Kit _____	26
Rev. A Toe Plate & Hardware Kit – Narrow Width Walkramp _____	27
Rev. B Toe Plate & Hardware Kit _____	28
Rev. B Toe Plate Panel Kit _____	29
Rev. B - Narrow Ramp Toe Plate & Hardware Kit _____	30
Rev. B – Narrow Ramp Toe Plate Panel Kit _____	31
Roller & Bracket Kit _____	32
Safe Panel Kit _____	33
Safe Panel Kit – Narrow Width Walkramp _____	34
Wear Plate Kit (Left Hand) _____	35
Wear Plate Kit (Right Hand) _____	36

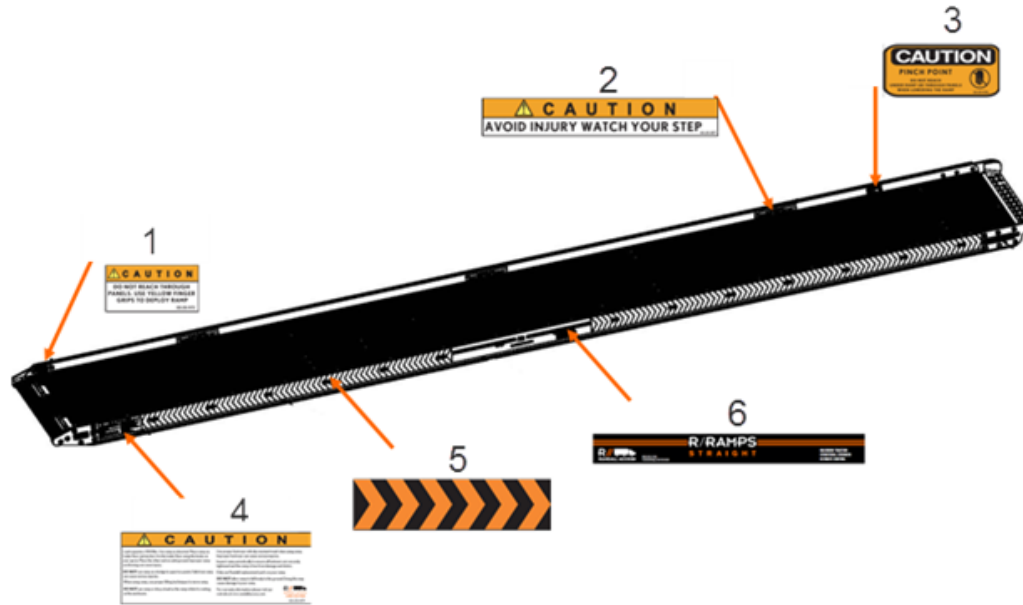
## LOT NUMBER LOCATION

**PLEASE NOTE:** Be sure to check the Lot Number before ordering parts.



Lot Number located on left side of ramp

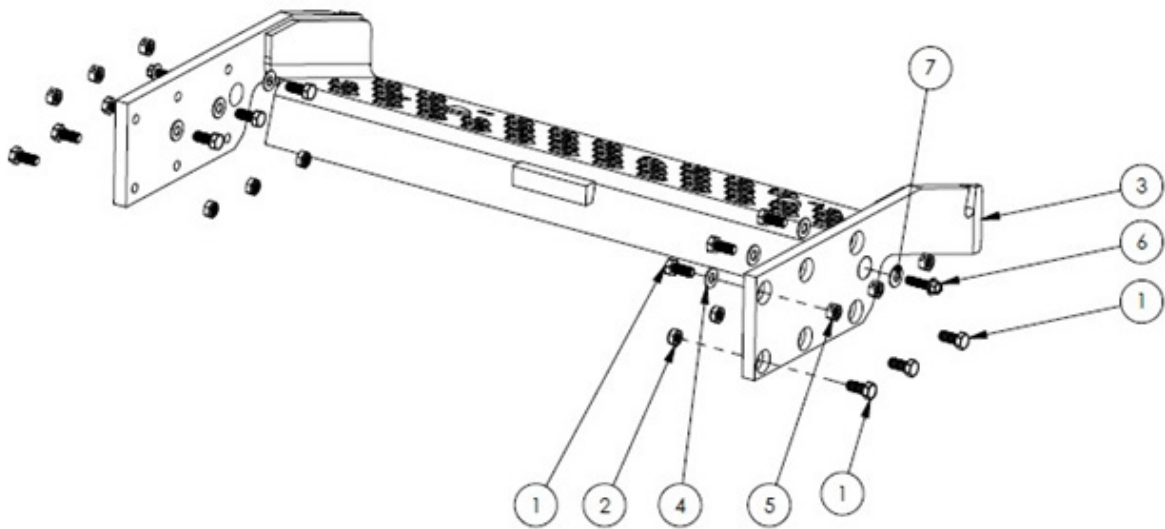
## LABEL KIT, STRAIGHT WALKRAMP



### Label Kit, Straight Walkramp, Part No. 05-25-1115

Item #	Part Description	Quantity
1	LABEL, RAMP, FINGER GRIP	2
2	LABEL, RAMPS, "WATCH YOUR STEP"	6
3	LABEL, RAMPS W/LIFT ASSIST ONLY	2
4	LABEL, RAMPS, MAIN CAUTION	2
5	STRIPING, RAMPS, ORANGE/BLACK 6' Lg.	4
6	LOGO, MAIN, RANDALL RAMPS	2
7	TAPE, REFLECTIVE, RAMPS, WHITE, 1"W x 9"	2

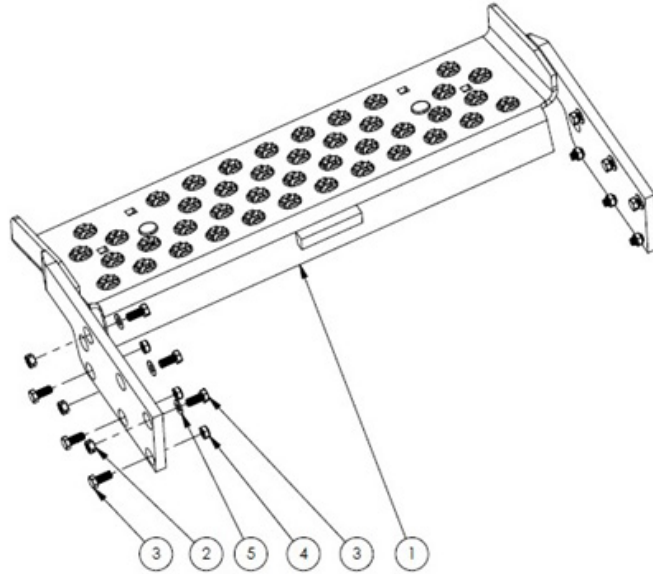
## APRON & HARDWARE KIT



### Apron & Hardware Kit, Part No. 05-25-1008

Item #	Part Description	Quantity
1	HHCS, 5/16" -18 X 3/4", G8, CAD	12
2	HLNN, 5/16" -18, THIN, G8, CAD	6
3	APRON PLT ASSY, STANDARD	1
4	WASHER 11/32 ID X 11/16 OD X .05 T, CAD	6
5	HLNC, 5/16" -18, G8, CAD	6
6	HHFCS, 1/4" -20 X 1", G8, CAD	2
7	WASHER, BELLEVILLE, .31 ID X .72 OD X .05 T, CAD	2

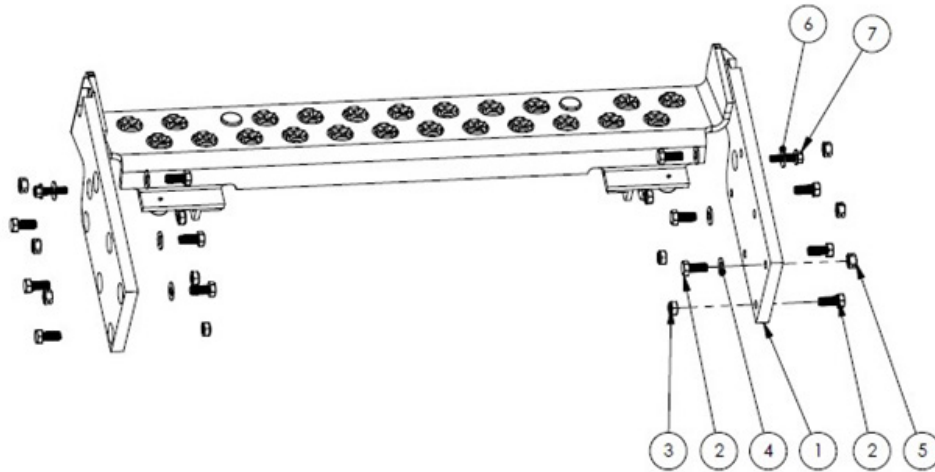
## APRON & HARDWARE KIT - NARROW WIDTH WALKRAMP



### Apron & Hardware Kit, Part No. 05-25-1042

Item #	Part Description	Quantity
1	APRON PLT ASSY, 25"W RAMP W/STANDARD APRON	1
2	HLNC, 5/16"-18, G8, CAD	6
3	HHCS, 5/16"-18 X 3/4", G8, CAD	12
4	HLNN, 5/16"-18, THIN, G8, CAD	6
5	WASHER 11/32 ID X 11/16 OD X .05 T, CAD	6

## APRON & HARDWARE KIT FOR LIFT ASSIST

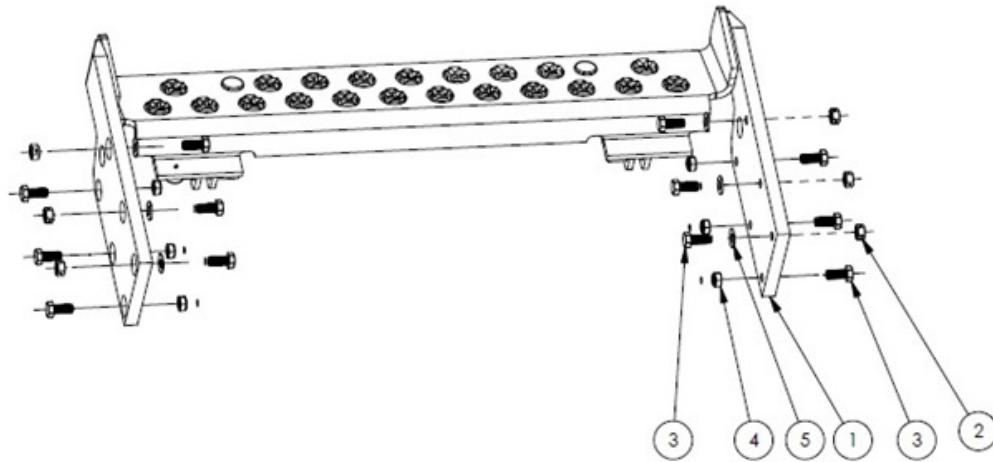


### Apron & Hardware Kit for Lift Assist, Part No. 05-25-1007

Item #	Part Description	Quantity
1	APRON ASSY, RAMP W/ LIFT ASSIST	1
2	HHCS, 5/16" -18 x 3/4", G8, CAD	12
3	HLNN, 5/16" -18, THIN, G8, CAD	6
4	WASHER 11/32 ID X 11/16 OD X .05T, CAD	6
5	HLNC, 5/16" -18, G8, CAD	6
6	WASHER, BELLEVILLE, .31 ID X .72 OD X .05 T, CAD	2
7	HHFCS, 1/4" -20 X 1", G8, CAD	2



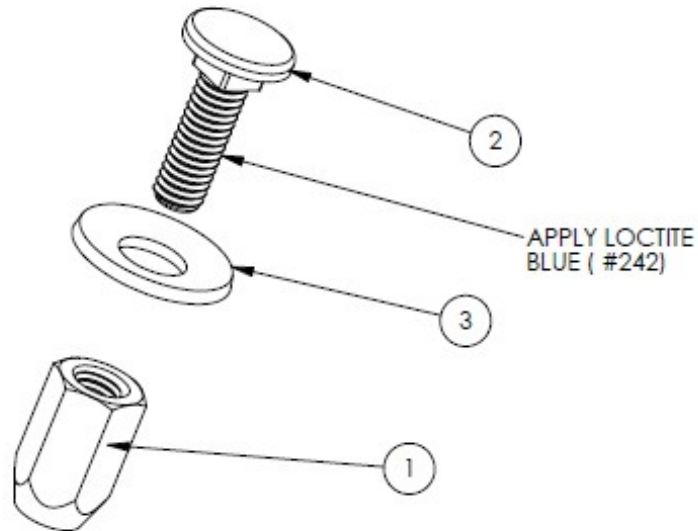
## APRON & HARDWARE KIT FOR LIFT ASSIST - NARROW WIDTH WALKRAMP



### Apron & Hardware Kit for Lift Assist, Part No. 05-25-1043

Item #	Part Description	Quantity
1	APRON ASSY, 25"W RAMP W/ LIFT ASSIST	1
2	HLNC, 5/16"-18, G8, CAD	6
3	HHCS, 5/16"-18 X 3/4", G8, CAD	12
4	HLNN, 5/16"-18, THIN, G8, CAD	6
5	WASHER 11/32 ID X 11/16 OD X .05 T, CAD	6

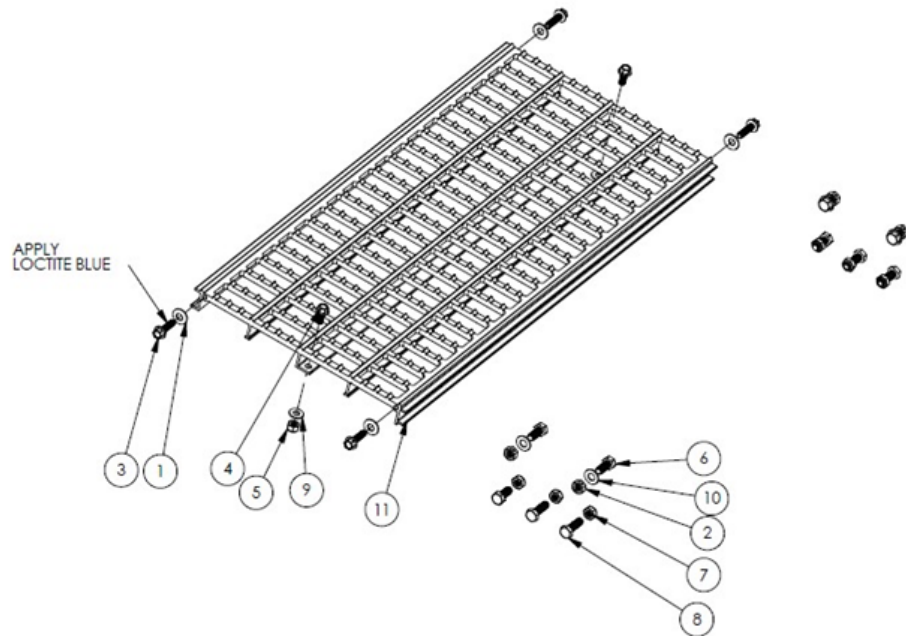
## COUPLING NUT KIT



### Coupling Nut Kit, Part No. 05-25-1021

Item #	Part Description	Quantity
1	COUPLING NUT, 3/8-16 X 1"L, G8, CAD	1
2	CBSQN, 3/8-16 X 1-1/4, G8, CAD	1
3	WASHER, BELLEVILLE SPRING, FOR 1/2" BOLT, CAD	1

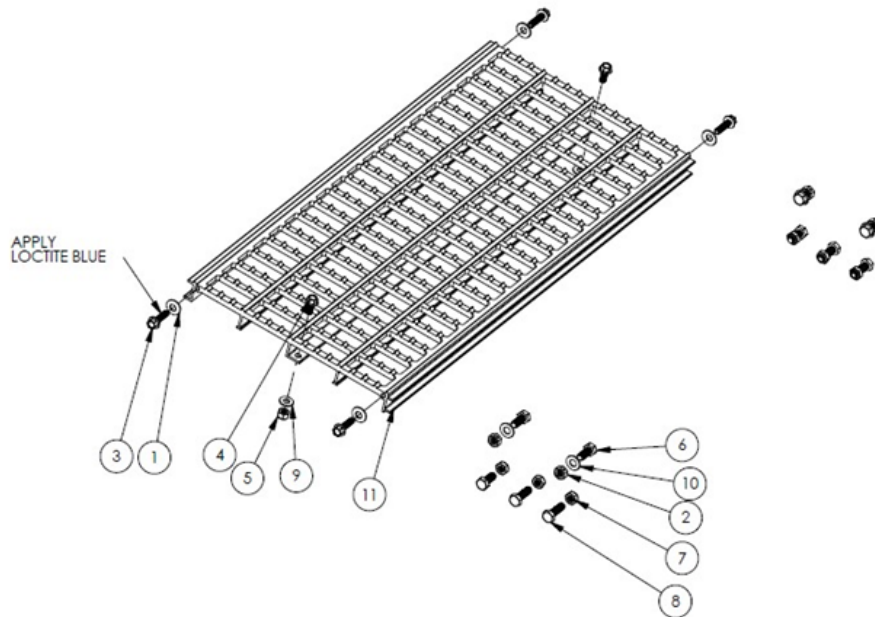
## EXTRUDED PANEL KIT



### Extruded Panel Kit, Part No. 05-25-1006

Item #	Part Description	Quantity
1	WASHER, BELLEVILLE, .31 ID X .72 OD X .05 T, CAD	4
2	HLNC, 5/16"-18, G8, CAD	4
3	HHFCS, 1/4"-20 X 1", G8, CAD	4
4	HHFCS, 1/4"-20 X 5/8", G8, CAD	2
5	HLNN, 1/4"-20, G8, CAD	2
6	HHCS, 5/16"-18 X 3/4", G8,CAD	6
7	HLNN, 5/16"-18, THIN, G8, CAD	6
8	HHCS, 5/16"-18 X 1", G8, CAD	4
9	WSAE 1/4" X 5/8 OD X .065, G8, CAD	2
10	WASHER 11/32 ID X 11/16 OD X .05 T, CAD	4
11	PANEL, 26"W RAMP, 24.5"W	1

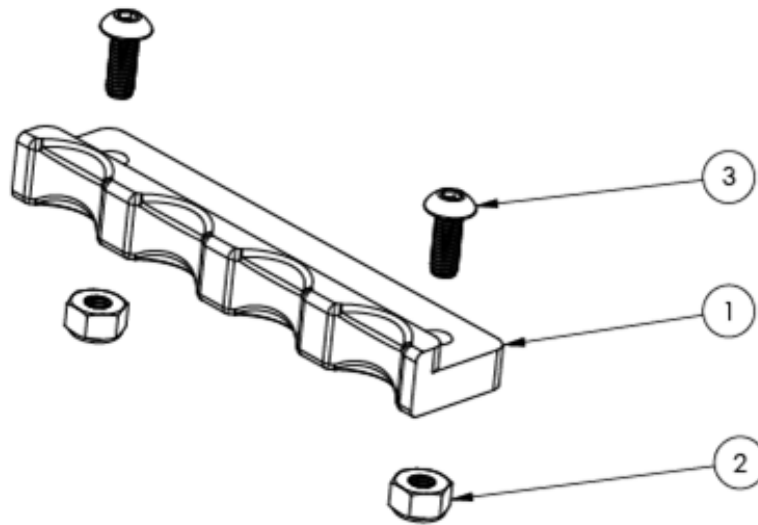
## EXTRUDED PANEL KIT - NARROW WIDTH WALKRAMP



### Extruded Panel Kit, Part No. 05-25-1044

Item #	Part Description	Quantity
1	WASHER, BELLEVILLE, .31 ID X .72 OD X .05 T, CAD	4
2	HLNC, 5/16"-18, G8, CAD	4
3	HHFCS, 1/4"-20 X 1", G8, CAD	4
4	HHFCS, 1/4"-20 X 5/8", G8, CAD	2
5	HLNN, 1/4"-20, G8, CAD	2
6	HHCS, 5/16"-18 X 3/4", G8, CAD	6
7	HHCS, 5/16"-18 X 3/4", G8, CAD	6
8	HHCS, 5/16"-18 X 1", G8, CAD	4
9	WSAE 1/4" X 5/8 OD X .065, G8, CAD	2
10	WASHER 11/32 ID X 11/16 OD X .05 T, CAD	4
11	PANEL, 25"W RAMP, 23.2"W	1

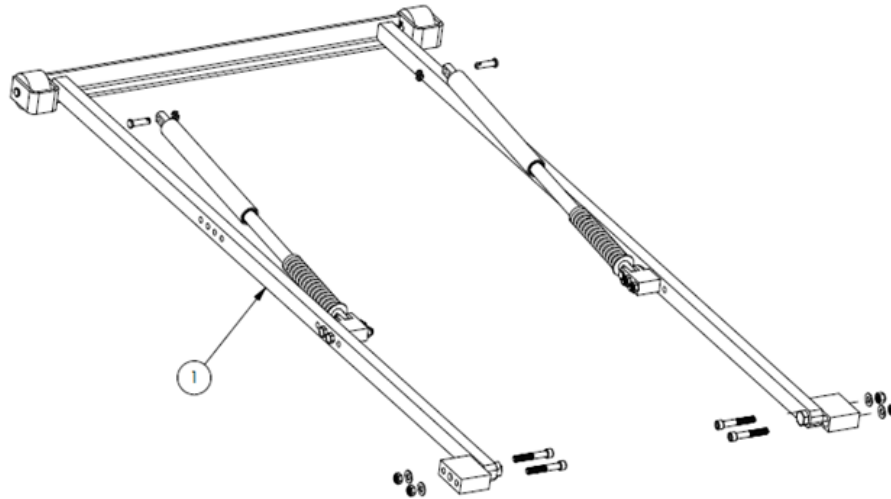
## FINGER GRIP KIT



### Finger Grip Kit, Part No. 05-25-1029

Item #	Part Description	Quantity
1	HANDLE, NYLON	1
2	HLNN, #10-32, G8, CAD	2
3	SBHCS, #10-32 X 1/2", G8, CAD	2

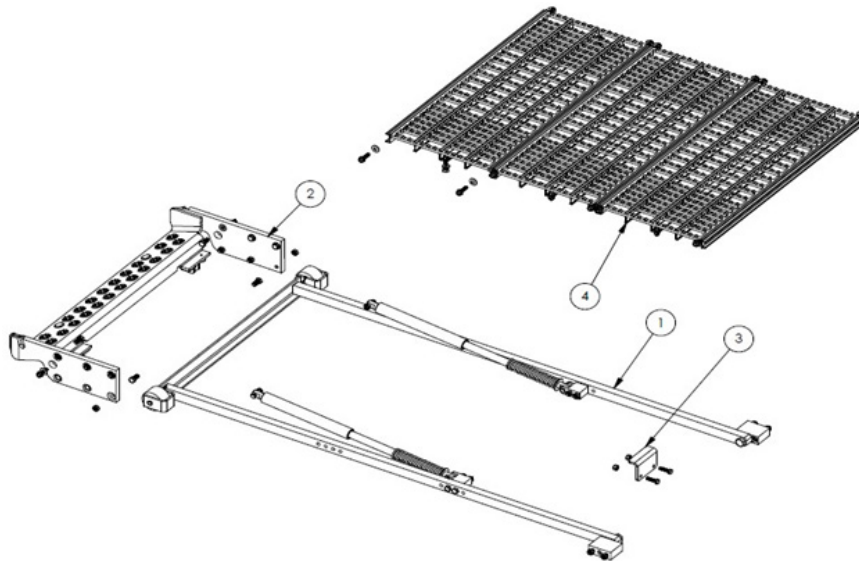
## LIFT ASSIST KIT WITH HARDWARE (REPLACEMENT)



### Lift Assist Kit with Hardware (Replacement), Part No. 05-25-1010

Item #	Part Description	Quantity
1	LIFT ASSIST ASSEMBLY, LT, 26"W RAMP	1

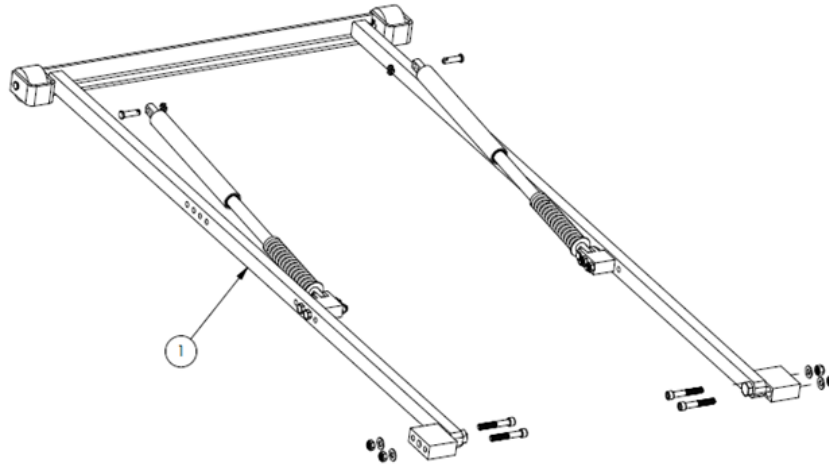
## LIFT ASSIST KIT WITH HARDWARE (RETROFIT)



### Lift Assist Kit with Hardware (Retrofit), Part No. 05-25-1036

Item #	Part Description	Quantity
1	LIFT ASSIST ASSY, STANDARD	1
2	APRON KIT, RAMP W/ LIFT ASSIST	1
3	STOP BRACKET KIT, REAR RAMP ENCLOSURE	1
4	SAFE PANEL KIT, 26"W RAMP	3

LIFT ASSIST KIT WITH HARDWARE -  
NARROW WIDTH WALKRAMP (REPLACEMENT)

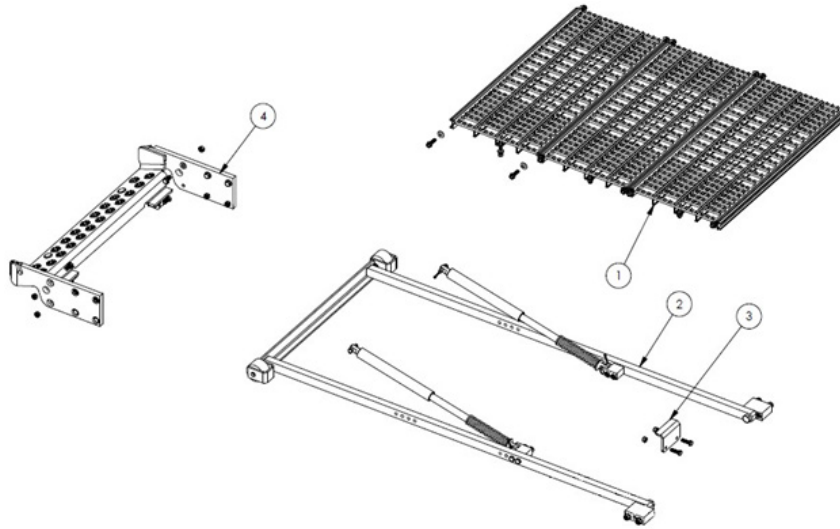


**Enclosure, Stop Kit, Part No. 05-25-1036**

Item #	Part Description	Quantity
1	LIFT ASSIST ASSEMBLY, STANDARD	1



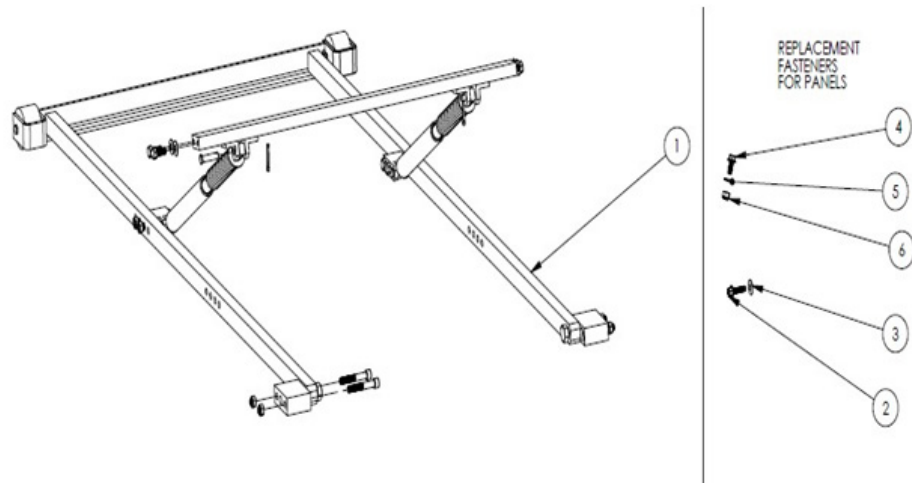
## LIFT ASSIST KIT WITH HARDWARE - NARROW WIDTH WALKRAMP (RETROFIT)



### Lift Assist Kit with Hardware (Retrofit), Part No. 05-25-1082

Item #	Part Description	Quantity
1	PANEL KIT, SAFE, 25"W RAMP	3
2	LIFT ASSIST ASSY, L T, 25"W RAMP	1
3	STOP BRACKET KIT, REAR RAMP ENCLOSURE	1
4	APRON KIT, 25"W RAMP W/ LIFT ASSIST	1

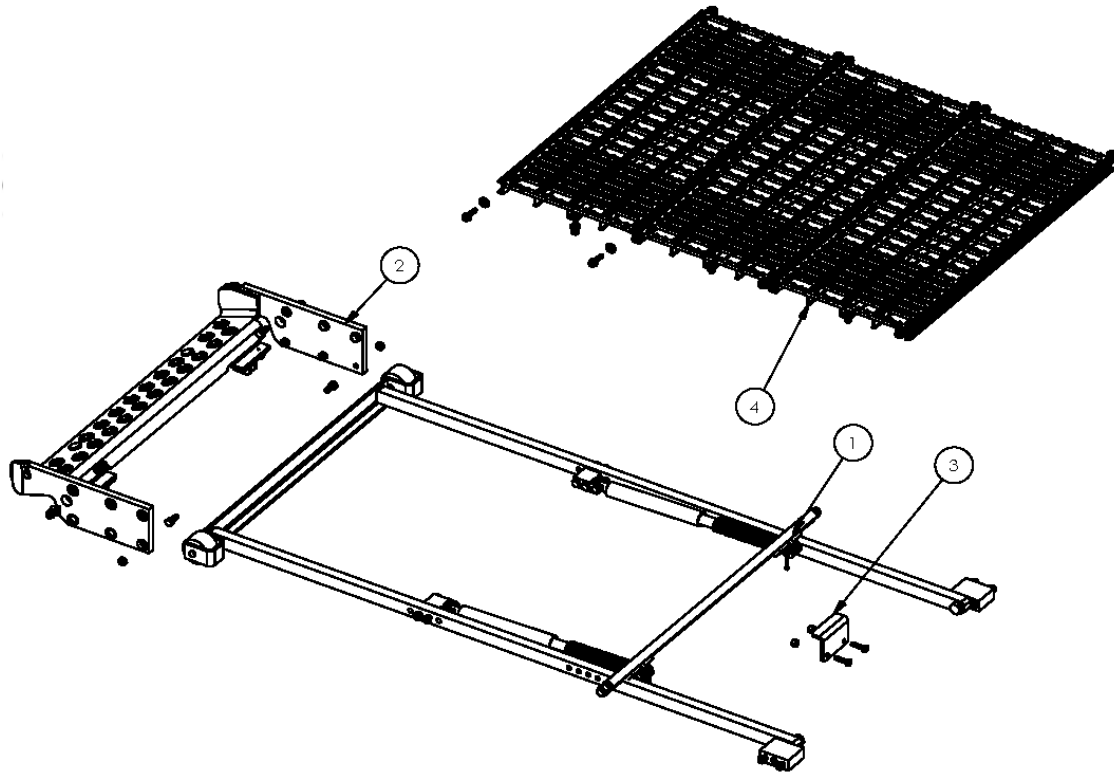
## LIFT ASSIST KIT WITH HARDWARE, SHORT THROW (REPLACEMENT)



### Lift Assist Kit with Hardware, Short Throw, Part No. 05-25-1065

Item #	Part Description	Quantity
1	LIFT ASSIST ASSY, SHORT THROW, 26"W RAMP	1
2	HHFCS, 1/4"-20 X 1", G8, CAD	16
3	WASHER, BELLEVILLE, .31 ID X .72 OD X .05 T, CAD	16
4	HHFCS, 1/4"-20 X 5/8", G8, CAD	8
5	WSAE 1/4" X 5/8 OD X .065, G8, CAD	8
6	HLNN, 1/4"-20, G8, CAD	8

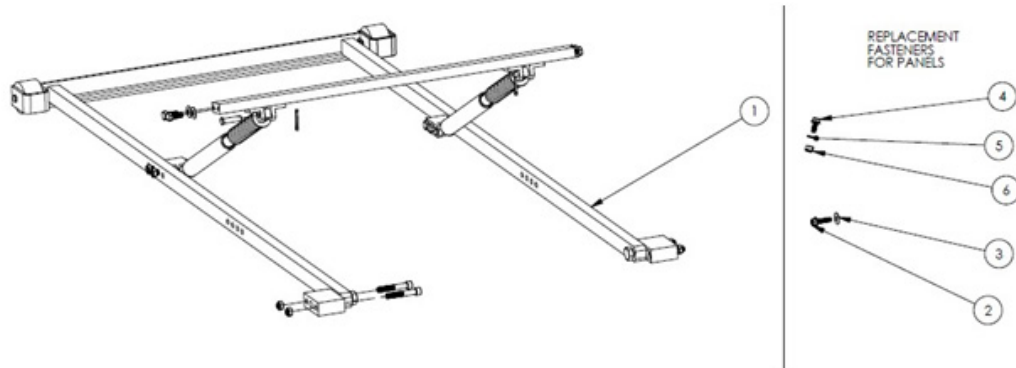
## LIFT ASSIST KIT WITH HARDWARE, SHORT THROW RETROFIT



### Lift Assist Kit with Hardware, Short Throw, Part No. 05-25-1080

Item #	Part Description	Quantity
1	LIFT ASSIST ASSY, SHORT THROW, 26"W RAMP	1
2	APRON KIT , RAMP W/LIFT ASSIST	1
3	STOP BRACKET KIT, REAR RAMP ENCLOSURE	1
4	SAFE PANEL KIT, 26"W RAMP	3

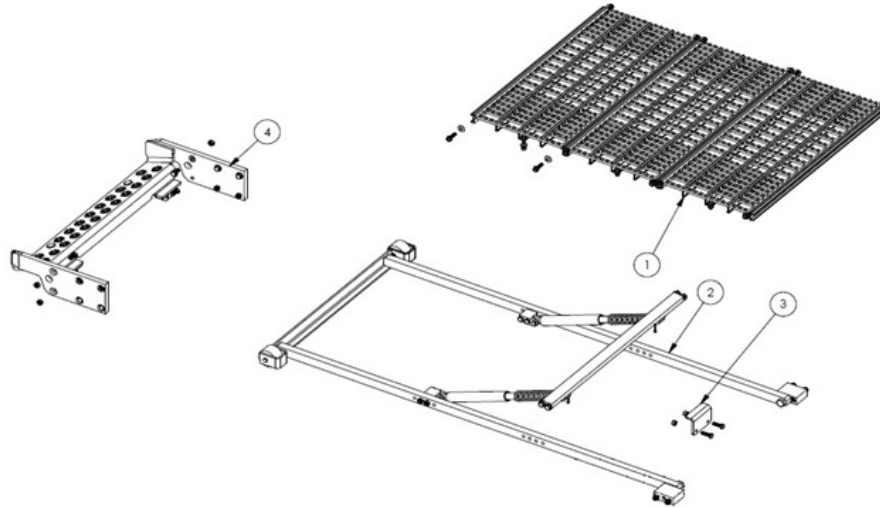
## LIFT ASSIST KIT WITH HARDWARE, SHORT THROW NARROW WIDTH WALKRAMP (REPLACEMENT)



### Lift Assist Kit with Hardware, Short Throw, Part No. 05-25-1066

Item #	Part Description	Quantity
1	LIFT ASSIST ASSY, SHORT THROW, 25"W RAMP	1
2	HHFCS, 1/4"-20 X 1", G8, CAD	16
3	WASHER, BELLEVILLE, .31 ID X .72 OD X .05 T, CAD	16
4	HHFCS, 1/4"-20 X 5/8", G8, CAD	8
5	WSAE 1/4" X 5/8 OD X .065, G8, CAD	8
6	HLNN, 1/4"-20, G8, CAD	8

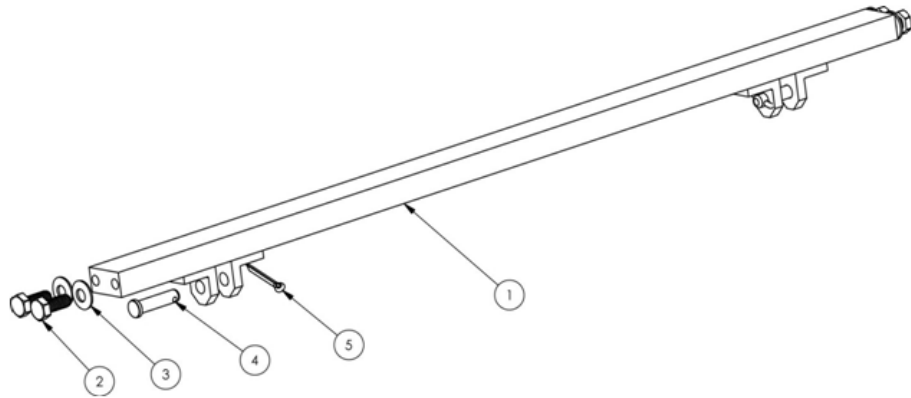
## LIFT ASSIST KIT WITH HARDWARE, SHORT THROW NARROW WIDTH WALKRAMP (RETROFIT)



### Lift Assist Kit with Hardware, Short Throw, Part No. 05-25-1081

Item #	Part Description	Quantity
1	PANEL KIT, SAFE, 25"W RAMP	3
2	LIFT ASSIST ASSY, SHORT THROW, 25"W RAMP	1
3	STOP BRACKET KIT, REAR RAMP ENCLOSURE	1
4	APRON KIT, 25"W RAMP W/ LIFT ASSIST	1

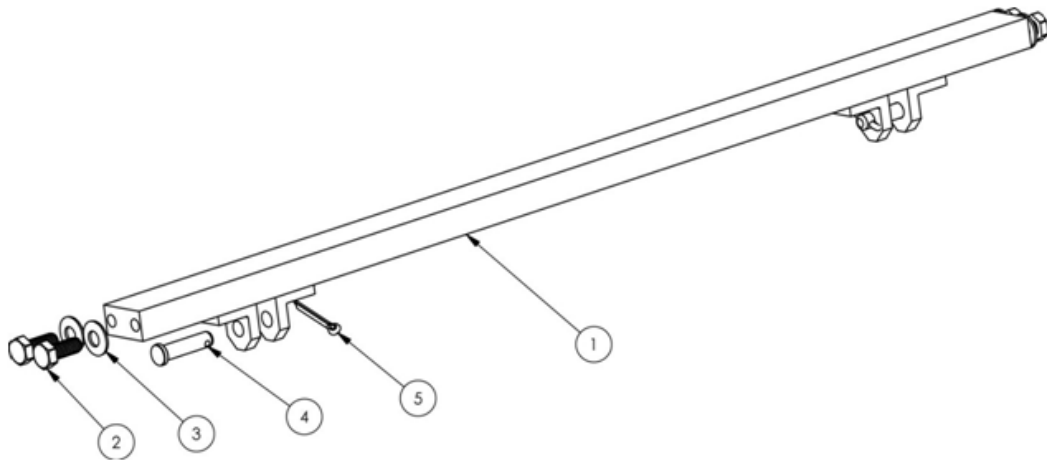
## LIFT ASSIST, CROSS BAR KIT, SHORT THROW



### Lift Assist, Cross Bar Kit, Short Throw, Part No. 05-25-1070

Item #	Part Description	Quantity
1	LIFT ASSIST CROSS BAR WELDMENT	1
2	HHCS, 5/16" -18 X 3/4", G8, CAD	4
3	WASHER, BELLEVILLE, .31 ID X .72 OD X .05 T, CAD	4
4	PIN, CLEVIS, 5/16" x 1-1/4", CAD	2
5	PIN, COTTER, 1/8" DIA 1" L, CAD	2

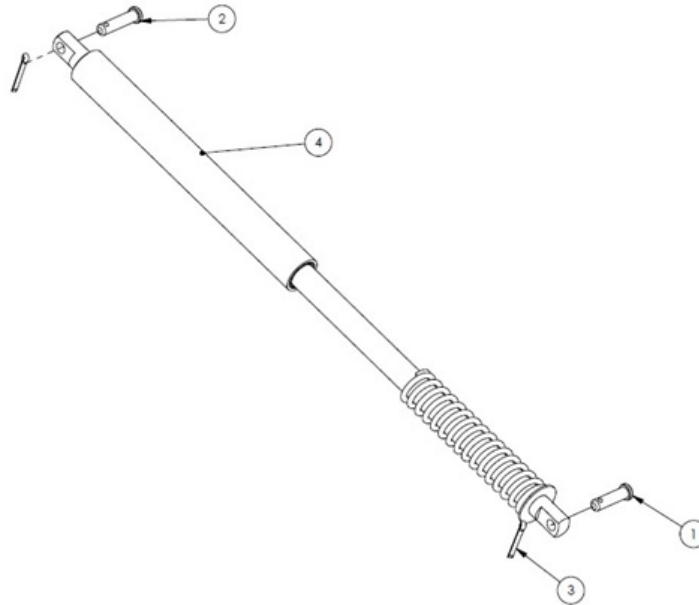
## LIFT ASSIST, CROSS BAR KIT, SHORT THROW NARROW WIDTH WALKRAMP



### Lift Assist, Cross Bar Kit, Short Throw, Part No. 05-25-1069

Item #	Part Description	Quantity
1	LIFT ASSIST CROSS BAR WELDMENT, 25"W RAMP	1
2	HHCS, 5/16" -18 X 3/4", G8, CAD	4
3	WASHER, BELLEVILLE, .31 ID X .72 OD X .05 T, CAD	4
4	PIN, CLEVIS, 5/16" X 1-1/4", CAD	2
5	PIN, COTTER, 1/8" DIA 1" L, CAD	2

## LIFT ASSIST, SPRING & GAS SHOCK KIT, LONG THROW

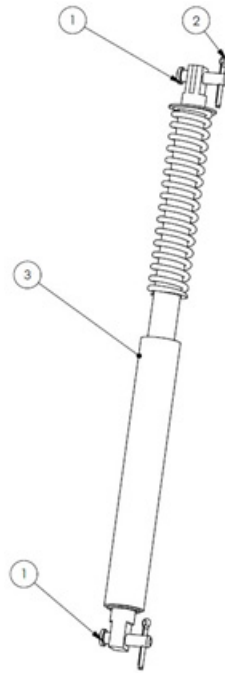


### Lift Assist, Spring & Gas Shock Kit, Part No. 05-25-1034

Item #	Part Description	Quantity
1	PIN, CLEVIS, 5/16" X 1-1/8", CAD	1
2	PIN, CLEVIS, 5/16" X 1-1/4", CAD	1
3	PIN, COTTER, 1/8" DIA. 1"L, CAD	2
4	GAS SPRING ASSY, LONG THROW LIFT ASSIST	1



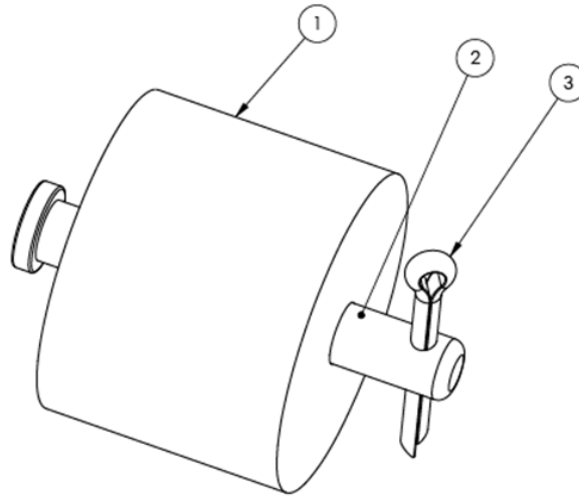
## LIFT ASSIST, SPRING & GAS SHOCK KIT, SHORT THROW



### Lift Assist, Spring & Gas Shock Kit, Part No. 05-25-1071

Item #	Part Description	Quantity
1	PIN CLEVIS, 5/16" X 1-1/4", CAD	2
2	PIN, COTTER, 1/8" DIA 1" L, CAD	2
3	GAS SPRING ASSY, SHORT THROW LIFT ASSIST	1

## LIFT ASSIST, WHEEL KIT



### Lift Assist, Wheel Kit, Part No. 05-25-1063

Item #	Part Description	Quantity
1	WHEEL, NYLON	1
2	PIN CLEVIS, 5/16" X 2-1/8"	1
3	PIN, COTTER, 1/8" DIAMETER 1" L STANDARD, CAD	1

## SIDE RAILS, 14' & 16' - REV. A



### Side Rails, 14', Left Hand, Part No. 05-25-1076

Item #	Part Description	Quantity
1	SIDE RAIL KIT, 14' LEFT HAND	1

### Side Rails, 14', Right Hand, Part No. 05-25-1077

Item #	Part Description	Quantity
2	SIDE RAIL KIT, 14' RIGHT HAND	1

### Side Rails, 16', Left Hand, Part No. 05-25-1078

Item #	Part Description	Quantity
1	SIDE RAIL KIT, 16' LEFT HAND	1

### Side Rails, 16', Right Hand, Part No. 05-25-1079

Item #	Part Description	Quantity
2	SIDE RAIL KIT, 16' RIGHT HAND	1

## SIDE RAILS, 14' & 16' - REV. B



### Side Rails, 14', Left Hand, Part No. 05-25-1106

Item #	Part Description	Quantity
1	SIDE RAIL KIT, 14' LEFT HAND	1

### Side Rails, 14', Right Hand, Part No. 05-25-1107

Item #	Part Description	Quantity
2	SIDE RAIL KIT, 14' RIGHT HAND	1

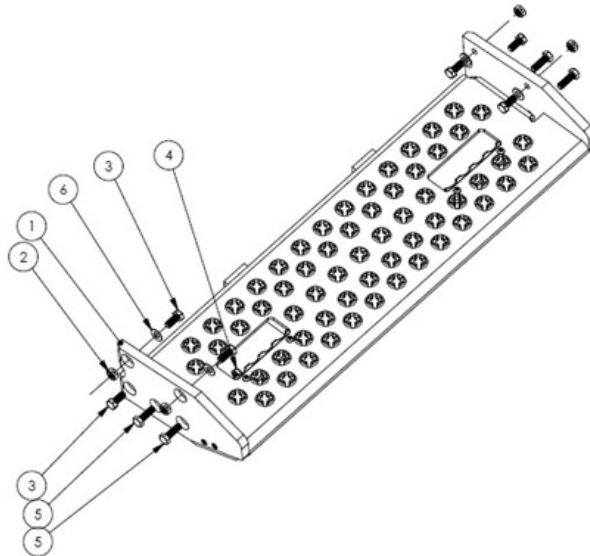
### Side Rails, 16', Left Hand, Part No. 05-25-1108

Item #	Part Description	Quantity
1	SIDE RAIL KIT, 16' LEFT HAND	1

### Side Rails, 16', Right Hand, Part No. 05-25-1109

Item #	Part Description	Quantity
2	SIDE RAIL KIT, 16' RIGHT HAND	1

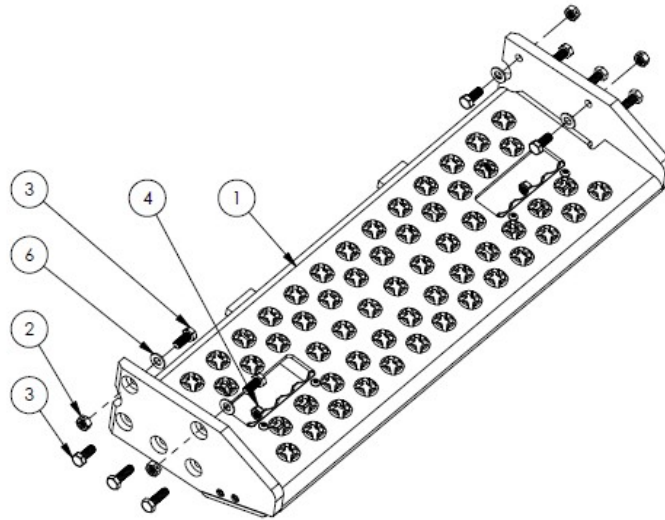
## TOE PLATE & HARDWARE KIT - REV. A



### Toe Plate & Hardware Kit, Part No. 05-25-1009

Item #	Part Description	Quantity
1	TOE PLATE ASSY, 26"W RAMP	1
2	HLNC, 5/16"-18, G8, CAD	4
3	HHCS, 5/16"-18 X 3/4", G8, CAD	6
4	HLNN, 5/16"-18, THIN, G8, CAD	6
5	HHCS, 5/16"-18 X 1", G8, CAD	4
6	WASHER 11/32 ID X 11/16 OD X .05 T, CAD	4

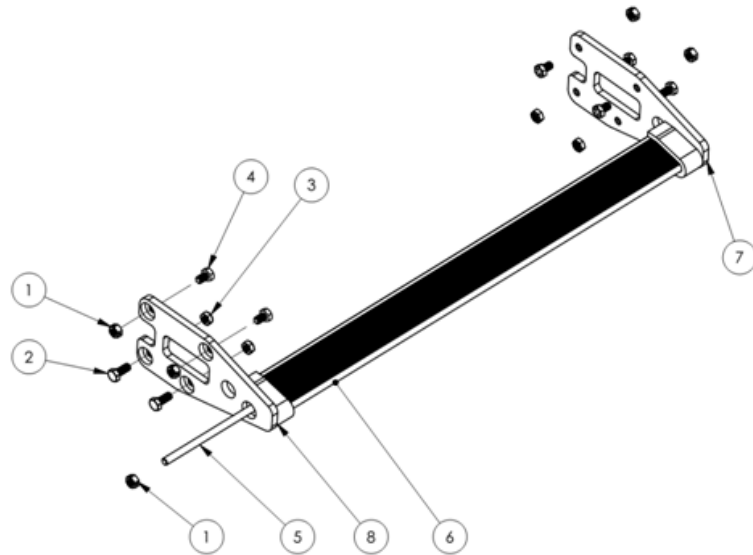
## TOE PLATE & HARDWARE KIT, NARROW WIDTH WALKRAMP REV. A



### Toe Plate & Hardware Kit, Part No. 05-25-1041

Item #	Part Description	Quantity
1	TOE PLT, ASSY, 25" W RAMP	1
2	HLNC, 5/16"-18, G8, CAD	4
3	HHCS, 5/16"-18 X 3/4", G8, CAD	6
4	HLNN, 5/16"-18, THIN, G8, CAD	6
5	HHCS, 5/16"-18 X 1", G8, CAD	4
6	WASHER 11/32 ID X 11/16 OD X .05 T, CAD	4

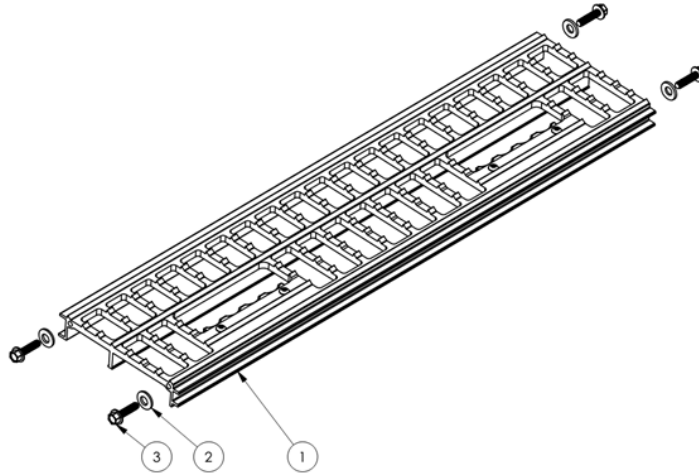
## TOE PLATE & HARDWARE KIT - REV. B



### Toe Plate & Hardware Kit, Part No. 05-25-1110

Item #	Part Description	Quantity
1	HLNC, 5/16"-18, G8, CAD	1
2	HHCS, 5/16"-18 x 3/4", G8, CAD	1
3	HLNO, 5/16"-18, G8, CAD	1
4	HHCS, 5/16"-18 x 1/2", G8, ZN	1
5	THREADED ROD, 5/16"-18, G5, ZN, 25-7/8"L	4
6	TOE PLATE EXTRUSION, 26" W RAMP	4
7	SIDE PLATE, RH, EXTRUDED TOE PLT	4
8	SIDE PLATE, LH, EXTRUDED TOE PLT	6

TOE PLATE PANEL KIT - REV. B

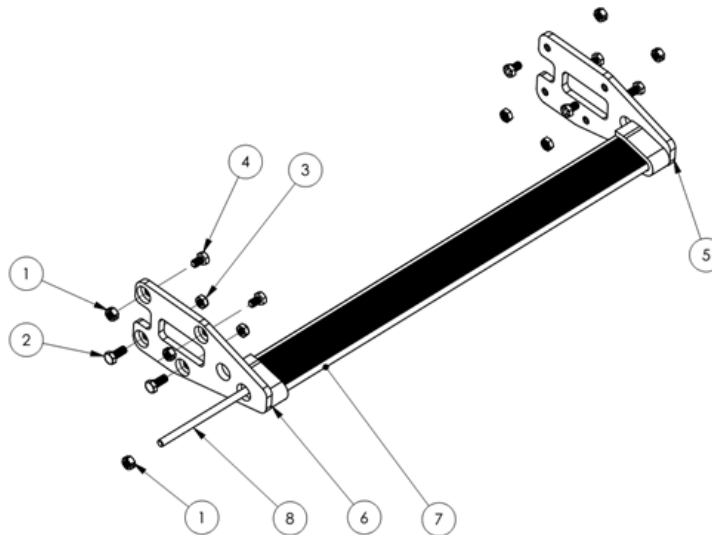


**Toe Plate Panel Kit, Part No. 05-25-1112**

Item #	Part Description	Quantity
1	PANEL ASSY, TOE PLT, 26" W RAMP	1
2	WASHER, BELLEVILLE, .33 ID x .71 OD x .08T, CAD	4
3	HHFCS, 1/4"-20 x 1", G8, CAD	4



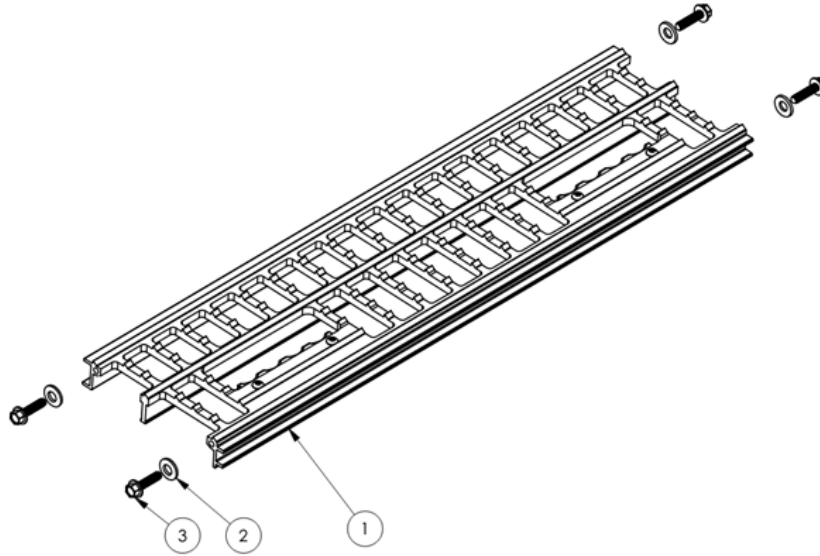
## TOE PLATE & HARDWARE KIT, NARROW WIDTH WALKRAMP - REV. B



### Toe Plate & Hardware Kit, Part No. 05-25-1111

Item #	Part Description	Quantity
1	HLNC, 5/16"-18, G8, CAD	6
2	HHCS, 5/16"-18 x 3/4", G8,	4
3	HLNO, 5/16"-18, G8, CAD	4
4	HHCS, 5/16"-18 x 1/2", G8, ZN	4
5	SIDE PLATE, RH, EXTRUDED TOE PLT	1
6	SIDE PLATE, LH, EXTRUDED TOE PLT	1
7	TOE PLATE EXTRUSION, 25" W RAMP	1
8	THREADED ROD, 5/16"-18, G5, ZN, 24-1/2"L, 25"W RAMP	1

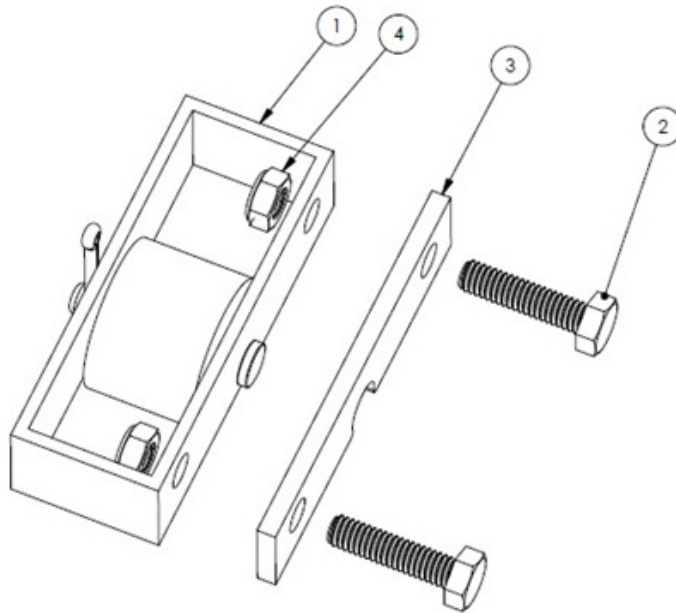
TOE PLATE PANEL KIT, NARROW WIDTH WALKRAMP -  
REV. B



**Toe Plate Panel Kit, Part No. 05-25-1113**

Item #	Part Description	Quantity
1	PANEL ASSY, TOE PLT, 25" W RAMP	1
2	WASHER, BELLEVILLE, .33 ID x .71 OD x .08T, CAD	4
3	HHFCS, 1/4"-20 x 1", G8, CAD	4

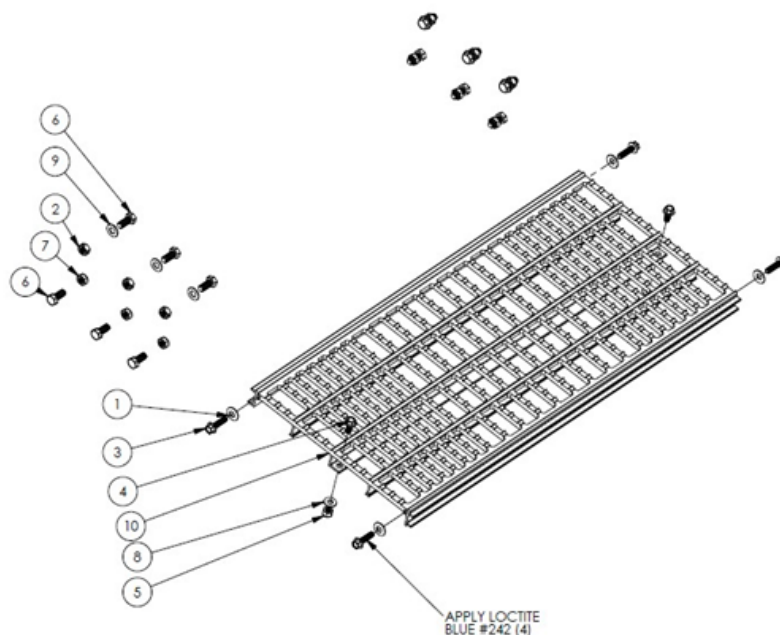
## ROLLER & BRACKET KIT



### Roller & Bracket Kit, Part No. 05-25-1002

Item #	Part Description	Quantity
1	ROLLER ASSY, RAMP	1
2	HHCS, 5/16" -18 X 1 - 1/4", G8, CAD	2
3	SPACER PLT, ROLLER ASSY, RAMP	1
4	SPACER PLT, ROLLER ASSY, RAMP	2

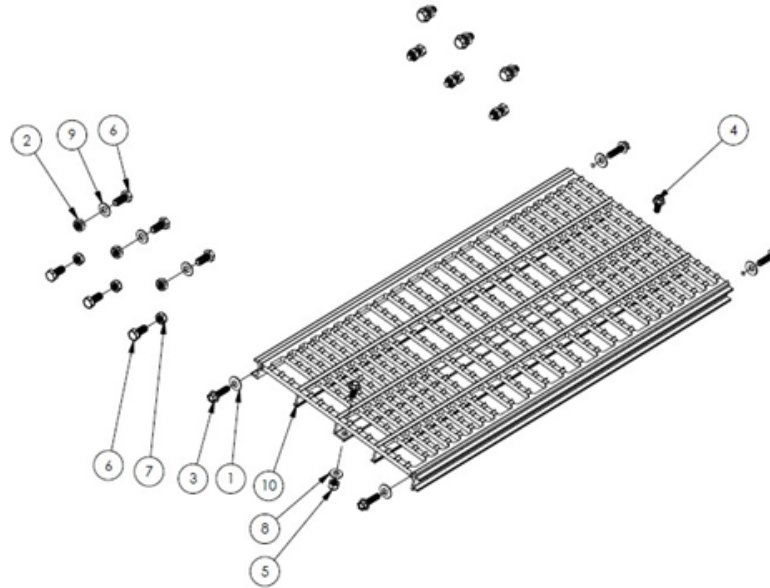
## SAFE PANEL KIT



### Safe Panel Kit, Part No. 05-25-1026

Item #	Part Description	Quantity
1	WASHER, BELLEVILLE, .31 ID X .72 OD X .05 T, CAD	4
2	HLNC, 5/16"-18, G8, CAD	6
3	HHFCS, 1/4"-20 X 1", G8, CAD	4
4	HHFCS, 1/4"-20 X 5/8", G8, CAD	2
5	HLNN, 1/4"-20, G8, CAD	2
6	HLNN, 1/4"-20, G8, CAD	12
7	HLNN, 5/16"-18, THIN, G8, CAD	6
8	WSAE 1/4" X 5/8 OD X .065, G8, CAD	2
9	WASHER 11/32 ID X 11/16 OD X .05 T, CAD	6
10	PANEL, SAFE, 26"W RAMP, 24.5"W	1

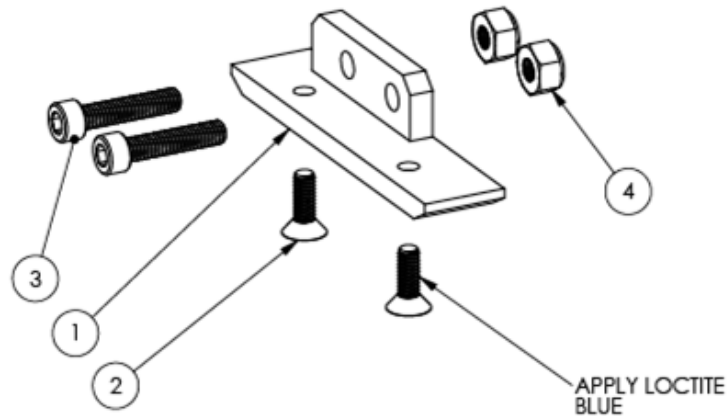
## SAFE PANEL KIT - NARROW WIDTH WALKRAMP



### Sale Panel Kit, Part No. 05-25-1045

Item #	Part Description	Quantity
1	WASHER, BELLEVILLE, .31 ID X .72 OD X .05 T, CAD	4
2	HLNC, 5/16"-18, G8, CAD	6
3	HHFCS, 1/4"-20 X 1", G8, CAD	4
4	HHFCS, 1/4"-20 X 5/8", G8, CAD	2
5	HLNN, 1/4"-20, G8, CAD	2
6	HHCS, 5/16"-18 X 3/4", G8, CAD	12
7	HLNN, 5/16"-18, THIN, G8, CAD	6
8	WSAE 1/4" X 5/8 OD X .065, G8, CAD	2
9	WASHER 11/32 ID X 11/16 OD X .05 T, CAD	6
10	PANEL, SAFE, 25"W RAMP, 23.2"W	1

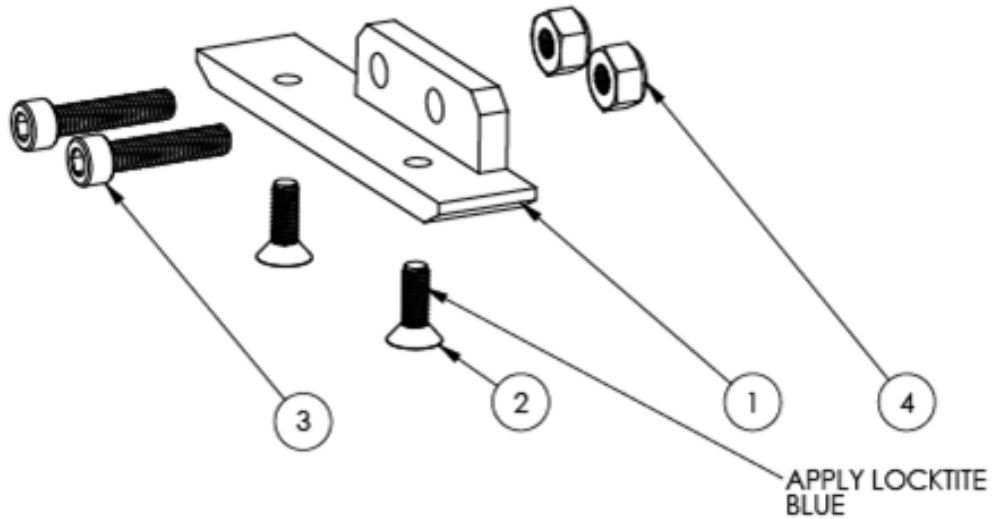
## WEAR PLATE KIT, LEFT HAND



### Wear Plate Kit, Left Hand, Part No. 05-25-1031

Item #	Part Description	Quantity
1	WEAR PLATE, TOE PLATE, LEFT HAND	1
2	SFHC, #8-32 X 1/2", G8, CAD	2
3	SHCS, #10-32 X 7/8", G8, CAD	2
4	HLNN, #10-32, G8, CAD	2

## WEAR PLATE KIT, RIGHT HAND



### Wear Plate Kit, Right Hand, Part No. 05-25-1030

Item #	Part Description	Quantity
1	WEAR PLATE, TOE PLATE, RIGHT HAND	1
2	SFHC, #8-32 X 1/2", G8, CAD	2
3	SHCS, #10-32 X 7/8", G8, CAD	2
4	HLNN, #10-32, G8, CAD	2