

# STRAIGHT WALKRAMP

---

## ENCLOSURE PARTS MANUAL



## TABLE OF CONTENTS

Lot Number _____	1
Enclosure, Chain Assembly _____	2
Enclosure, Door Kit _____	3
Enclosure, Roller Kit _____	4
Enclosure, Stop Kit (No Lift Assist) _____	5
Enclosure, Stop Kit (Lift Assist) _____	6

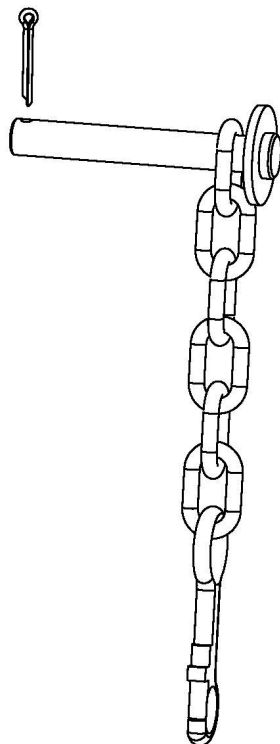
## LOT NUMBER LOCATION

**PLEASE NOTE: Be sure to check the Lot Number before ordering parts.**



Lot Number located on left side of ramp

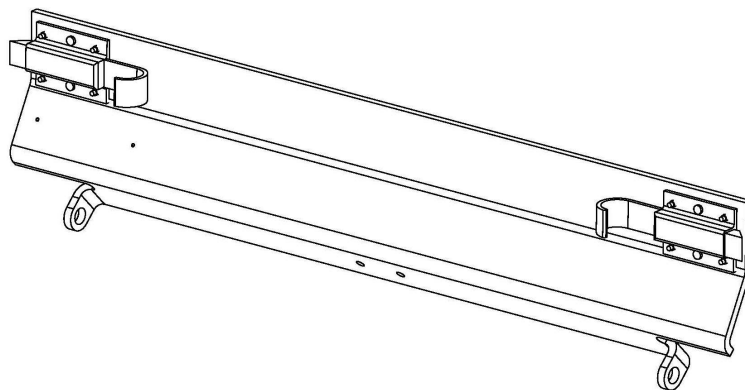
## ENCLOSURE, CHAIN ASSEMBLY (REPLACEMENT)



### Cable Assembly, Part No. 05-25-1135

Item #	Part Description	Quantity
1	CHAIN ASSEMBLY	1

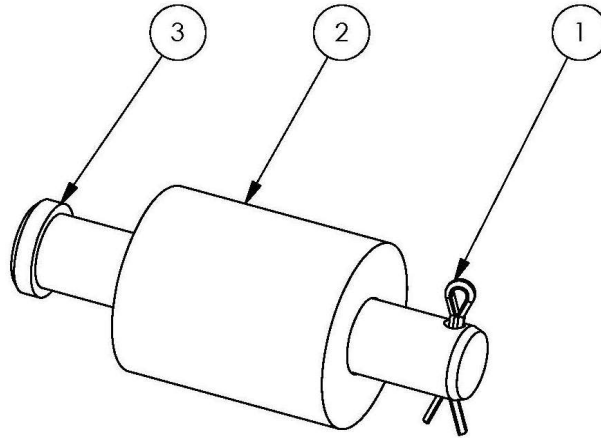
## ENCLOSURE, DOOR KIT



### Enclosure, Door Kit, Part No. 05-25-1137

Item #	Part Description	Quantity
1	DOOR ASS'Y, COMMON ENCLOSURE	1

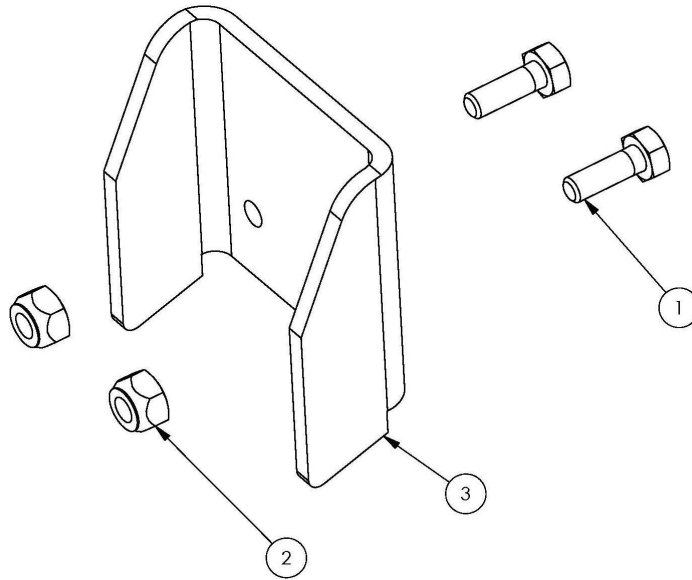
## ENCLOSURE, ROLLER KIT



### Enclosure, Roller Kit, Part No. 05-25-1136

Item #	Part Description	Quantity
1	PIN, COTTER, 1/8" DIA x 1", ZN	1
2	ROLLER, COMMON CARRIER, 1-1/4" DIA, UHMW	1
3	PIN, CLEVIS, 1/2" x 3"L, ZN	1

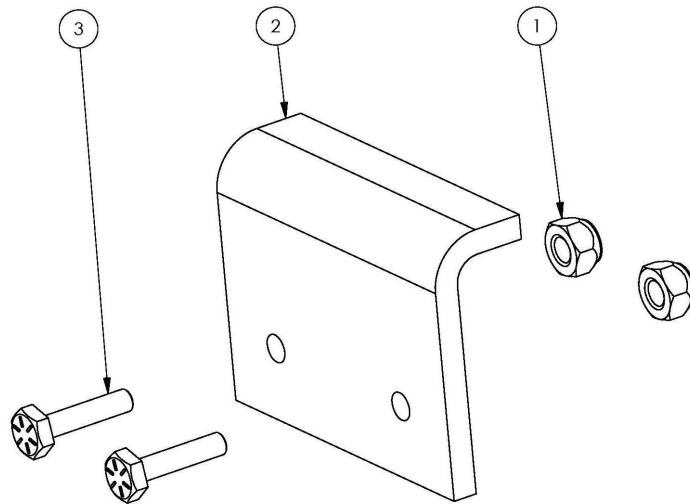
## ENCLOSURE, STOP KIT (NO LIFT ASSIST)



### Enclosure, Stop Kit, Part No. 05-25-1121

Item #	Part Description	Quantity
1	HHCS, 1/4"-20 x 3/4", ZN	2
2	HNLN, 1/4"-20, ZN	2
3	FLIP GATE STOP STD RW	1

## ENCLOSURE, STOP KIT (LIFT ASSIST)



### Enclosure, Stop Kit, Part No. 05-25-1120

Item #	Part Description	Quantity
1	HNLN, 1/4"-20, ZN	2
2	STOP BRK, LA ENCLOSURE	1
3	HHCS, 1/4"-20 x 1", ZN	2