

R•O•M ROADWARRIOR™ Ramp & Carrier Parts Manual



Table of Contents

Serial Number Location	4
Label Kit, Roadwarrior Ramp	5
ROADWARRIOR RAMP PARTS KITS DRAWING	6
Apron, Replacement Kit Standard	8
Apron, Replacement Kit for Lift Assist (LA)	10
Casting, Standard Kit	12
Casting, for Lift Assist (LA) Kit	13
Casting, Transition Kit	14
Gas Spring Retrofit Kit	15
Grab Handle Replacement Kit	17
Hook Option Replacement Pin	18
Hook Support with Stop	19
Hook Support w/o Stop	21
Lift Assist Kit	23
Lift Assist Kit, with Apron (standard)	24
Lift Assist Kit, w/o Apron (standard)	26
Lift Assist Wheel Kit	28
Ramp Pin Replacement Kit	29
Roller Replacement Kit	30

Table of Contents (Cont'd)

Side Rail Kit, RoadwarrioR, Left Side w/ Labels	31
Side Rail Kit, RoadwarrioR, Right Side w/ Labels	32
Tie Rod with Spring Brackets	33
Tie Rod Replacement Kit	34
Transition Plate Assembly	35
ROADWARRIOR CARRIER PARTS KITS DRAWING	37
Carrier Door Latch Kit	38
Carrier Latch & Door Assembly	39
Carrier Roller Replacement Kit	40
Carrier Stop Kit (Standard)	41
Carrier Stop Kit for Lift Assist (LA)	42
Safety Chain Retrofit Kit	43

Serial Number Location

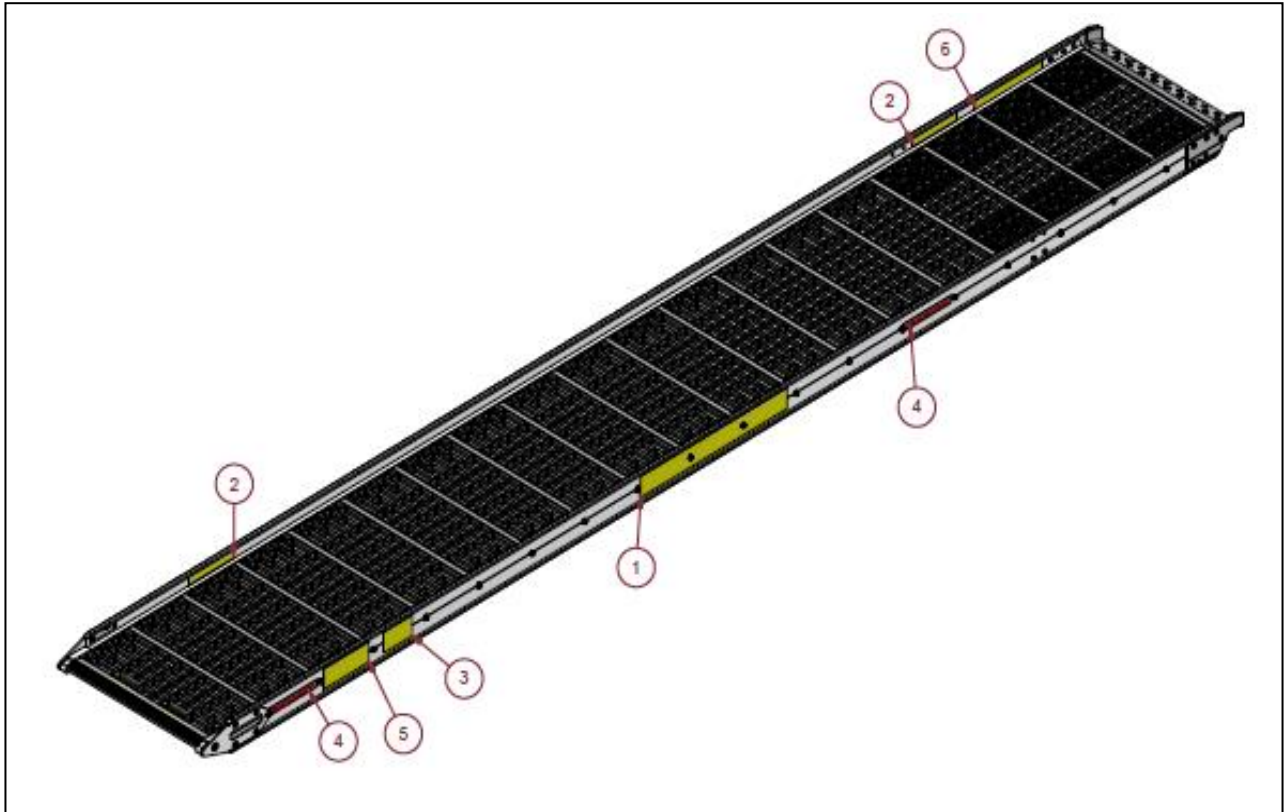
PLEASE NOTE:

Be sure to check the Serial Number before ordering parts.



Serial number located on the inside of the left rail

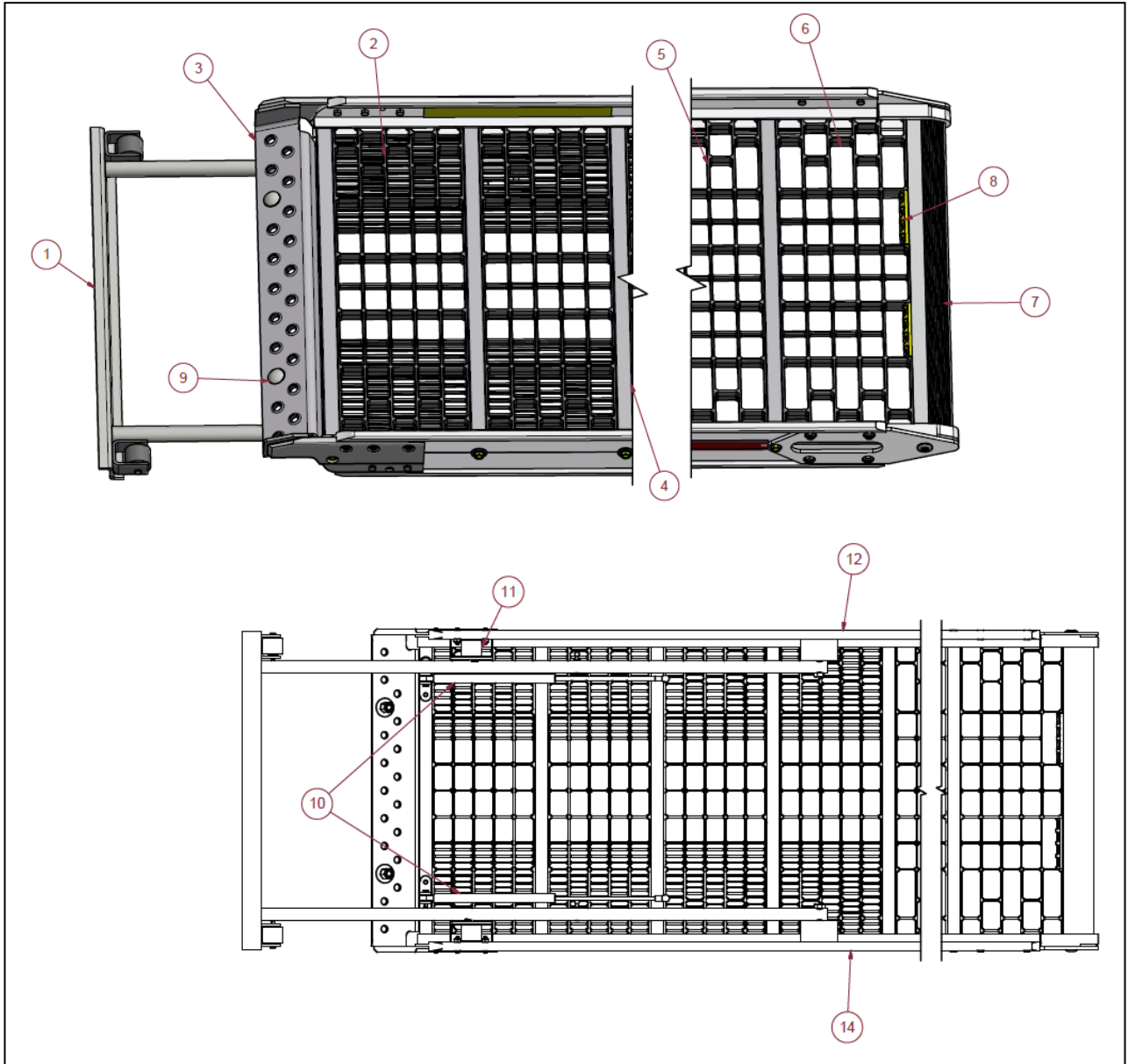
RoadwarrioR™ Ramp Label Kit



RoadwarrioR Ramp Label Kit, Part No. R04303

Item #	Part Description	Quantity
1	LABEL, ROADWARRIOR	2
2	LABEL CAUTION WATCH STEP	4
3	LABEL DO NOT DROP RAMP	2
4	TAPE REFLECTIVE RED	4
5	LABEL WARNING RAMP SAFETY CHECK	2
6	LABEL, CAUTION DO NOT REACH UNDER	2

Roadwarrior™ Ramp Parts Kits



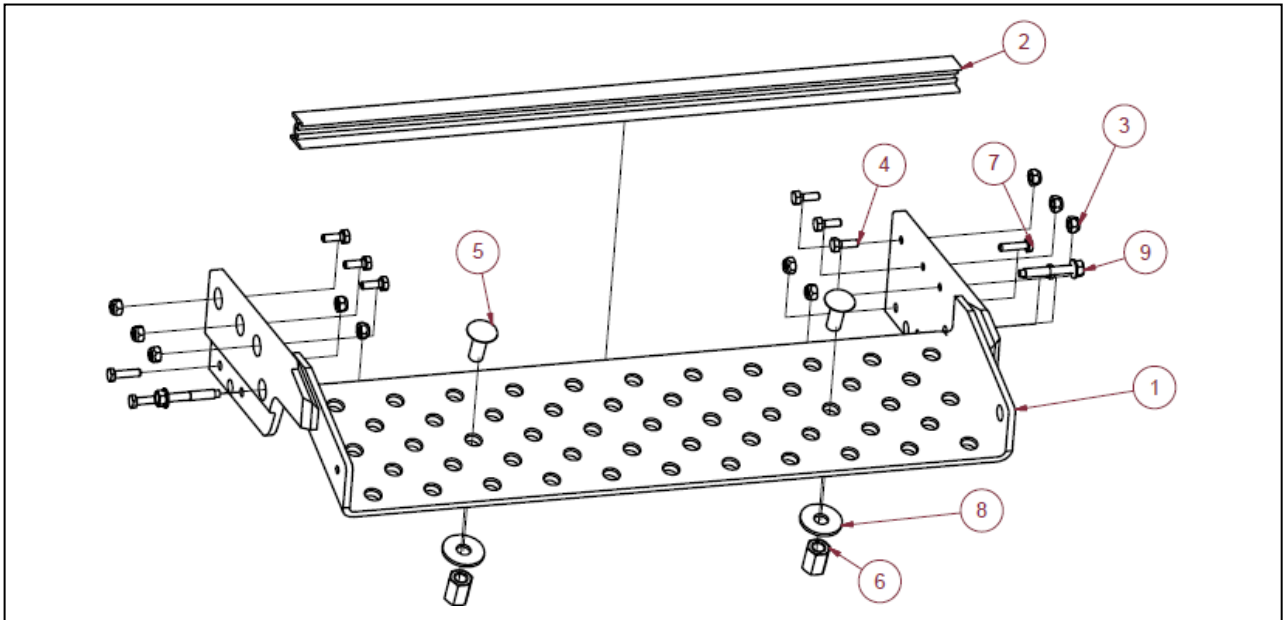
Roadwarrior Ramp Parts Kits

Item #	Part Description	Page #
1	LIFT ASSIST KITS	23-28
2	CASTING, FOR LIFT ASSIST (LA) KIT	13
3	APRON, REPLACEMENT KIT	8-11

Roadwarrior™ Ramp Parts Kits (cont'd)

Item #	Part Description	Page #
4 & 8	TIE ROD KIT	33-34
5	CASTING, STANDARD KIT	12
6	CASTING, TRANSITION KIT	14
7	TRANSITION PLATE ASSEMBLY	35
8	GRAB HANDLE REPLACEMENT KIT	17
9	RAMP PIN REPLACEMENT KIT	29
10	GAS SPRING RETROFIT KIT	15
11	ROLLER REPLACEMENT KIT	30
12	SIDE RAIL KITS	31-32
not shown	HOOK OPTION REPLACEMENT PIN	18
not shown	HOOK SUPPORT KITS	19-22

Apron, Replacement Kit, Standard



Apron, Replacement Kit, Standard

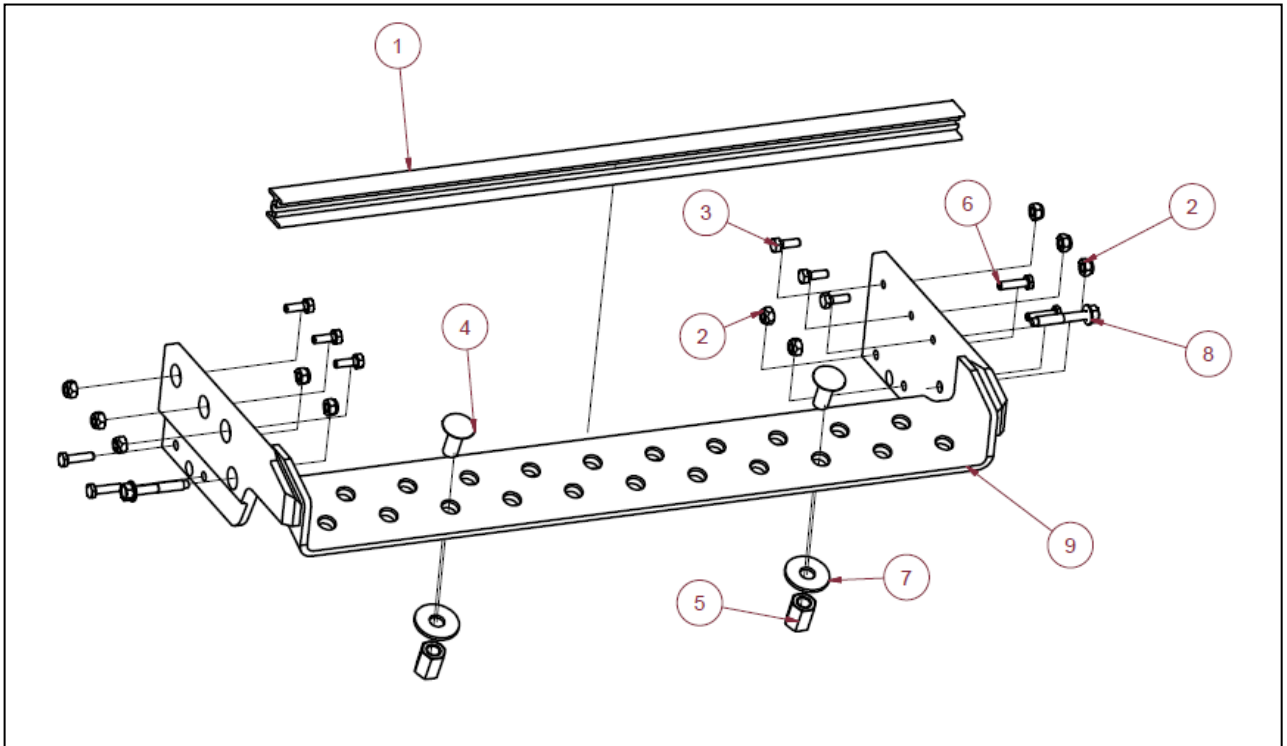
Ramp Width	Kit Part No.
25-7/8"	R00100
24-7/8"	R00101
23-7/8"	R00102
22-7/8"	R00103
21-7/8"	R00104

Item #	Part Description	Quantity
1	APRON WELDMENT 6-5/8" x RAMP WIDTH	1
2	TIE ROD	1
3	1/4"-20 NYLON INSERT STOP NUT SS	10
4	1/4"-20 X 3/4" HEX HD CAP SCREW SS	6

Apron, Replacement Kit, Standard (cont'd)

Item #	Part Description	Quantity
5	1/2"-13 X 1-1/4" ZP CARRIAGE BOLT	2
6	1/2"-13 X 1" THIN WALL COUPLER NUT ZP	2
7	1/4"-20 X 1" GR5 HEX HD CAP SCREW ZP	4
8	WASHER CONICAL 115 THK .515" ID 1.5" OD	2
9	TIE ROD SCREW	2
	COTTER CIRCLE 5/8" SS (not shown)	2
	FM-8.5-43 - ROADWARRIOR RAMP APRON REPLACEMENT INSTRUCTIONS (not shown)	1

Apron, Replacement Kit for Lift Assist (LA)



Apron, Replacement Kit for Lift Assist (LA)

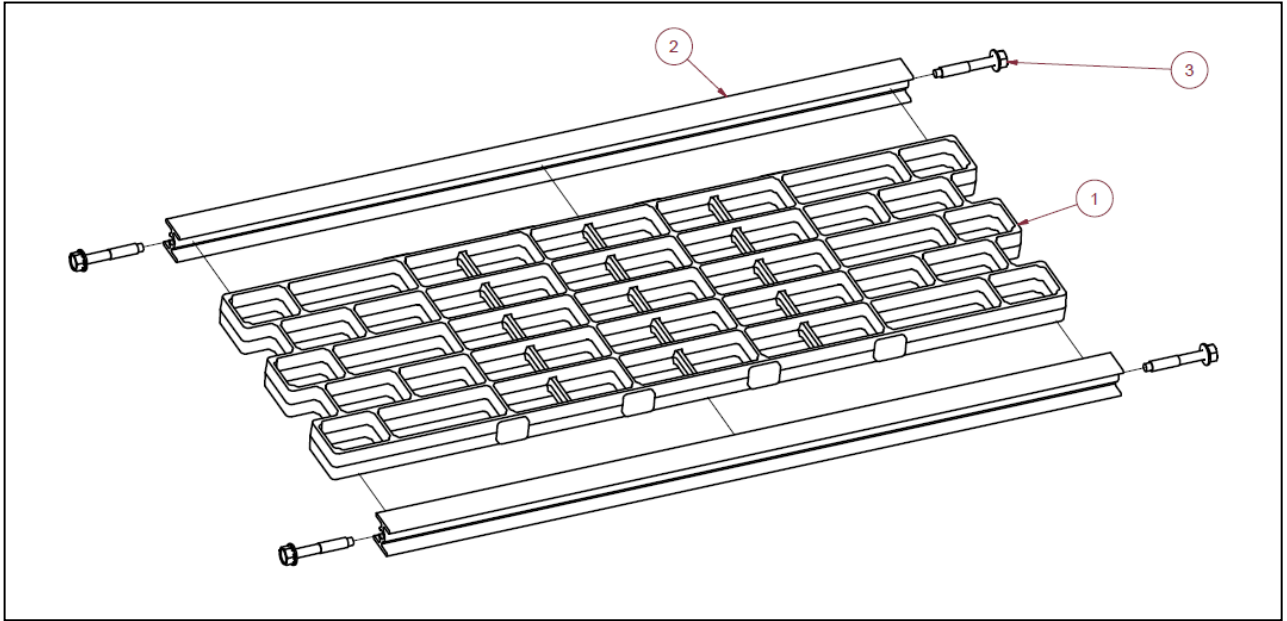
Ramp Width	Kit Part No.
25-7/8"	R00457
24-7/8"	R00458
23-7/8"	R00459
22-7/8"	R00460
21-7/8"	R00461

Item #	Part Description	Quantity
1	SPRING BRACKET W/ TIE ROD LIFT ASSIST	1
2	1/4"-20 NYLON INSERT STOP NUT SS	10

Apron, Replacement Kit, for Lift Assist (cont'd)

Item #	Part Description	Quantity
3	1/4"-20 X 3/4" HEX HD CAP SCREW SS	6
4	1/2"-13 X 1-1/4" ZP CARRIAGE BOLT	2
5	1/2"-13 X 1 THIN WALL COUPLER NUT ZP	2
6	1/4"-20 X 1 GR5 HEX HD CAP SCREW ZP	4
7	WASHER CONICAL 115 THK .515" ID 1.5" OD	2
8	TIE ROD SCREW	2
9	LA APRON ASSEMBLY 3-5/8" X RAMP OD	1
	COTTER CIRCLE 5/8" SS (not shown)	2
	FM-8.5-43 - ROADWARRIOR RAMP APRON REPLACEMENT INSTRUCTIONS (not shown)	1

Casting, Standard Kit

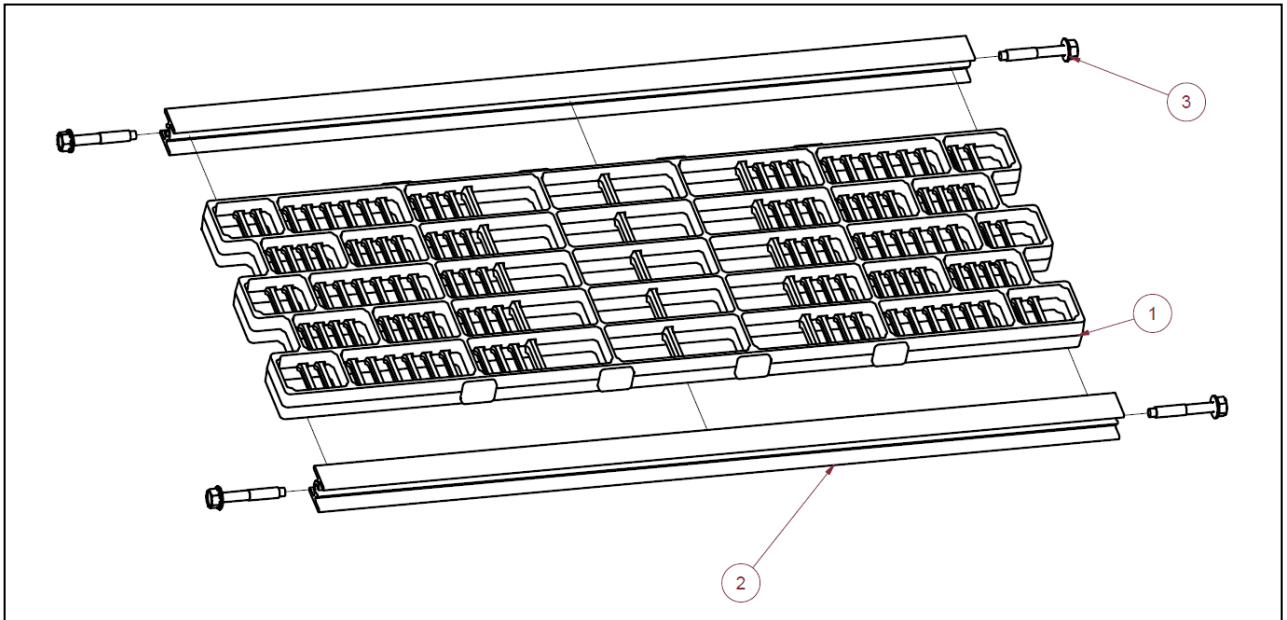


Casting, Standard Kit

Ramp Width	Kit Part No.
25-7/8"	R04271
24-7/8"	R04271-1
23-7/8"	R04271-2
22-7/8"	R04271-3
21-7/8"	R04271-4

Item #	Part Description	Quantity
1	RAMP CASTING, MAG RAMP	1
2	TIE ROD	2
3	TIE ROD SCREW	4

Casting, for Lift Assist (LA) Kit

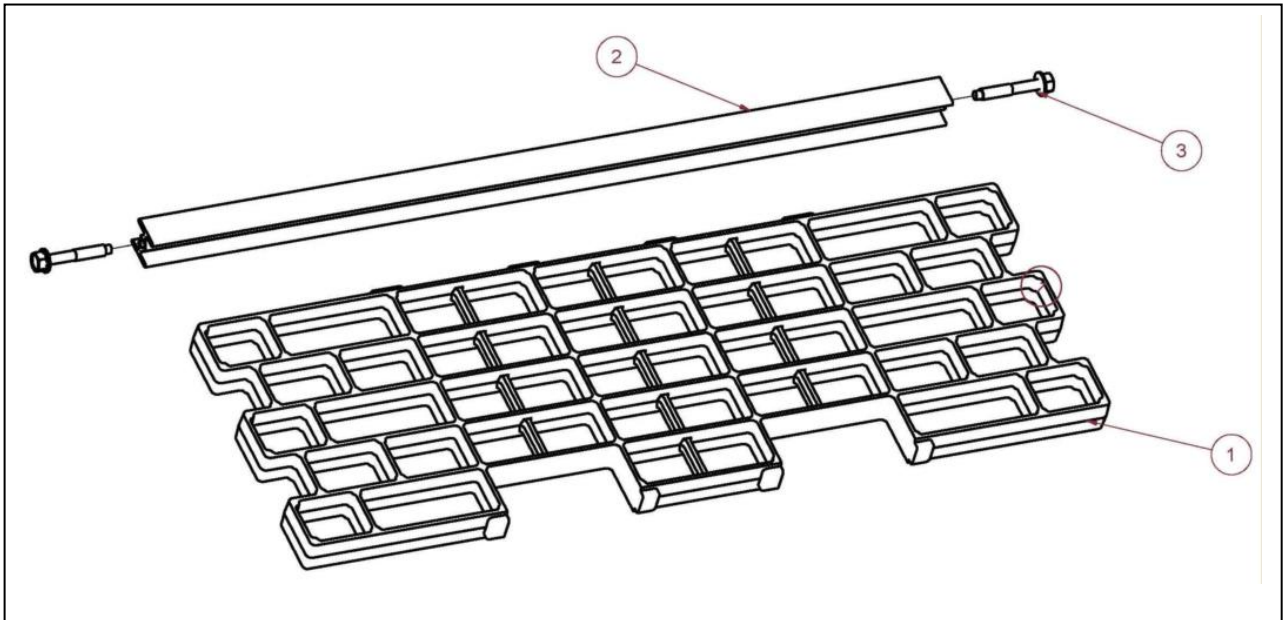


Casting, for Lift Assist (LA) Kit

Ramp Width	Kit Part No.
25-7/8"	R04272
24-7/8"	R04272-1
23-7/8"	R04272-2
22-7/8"	R04272-3
21-7/8"	R04272-4

Item #	Part Description	Quantity
1	RAMP CASTING WITH GUARD MAG AZ91D ALLOY	1
2	TIE ROD	2
3	TIE ROD SCREW	4

Casting, Transition Kit

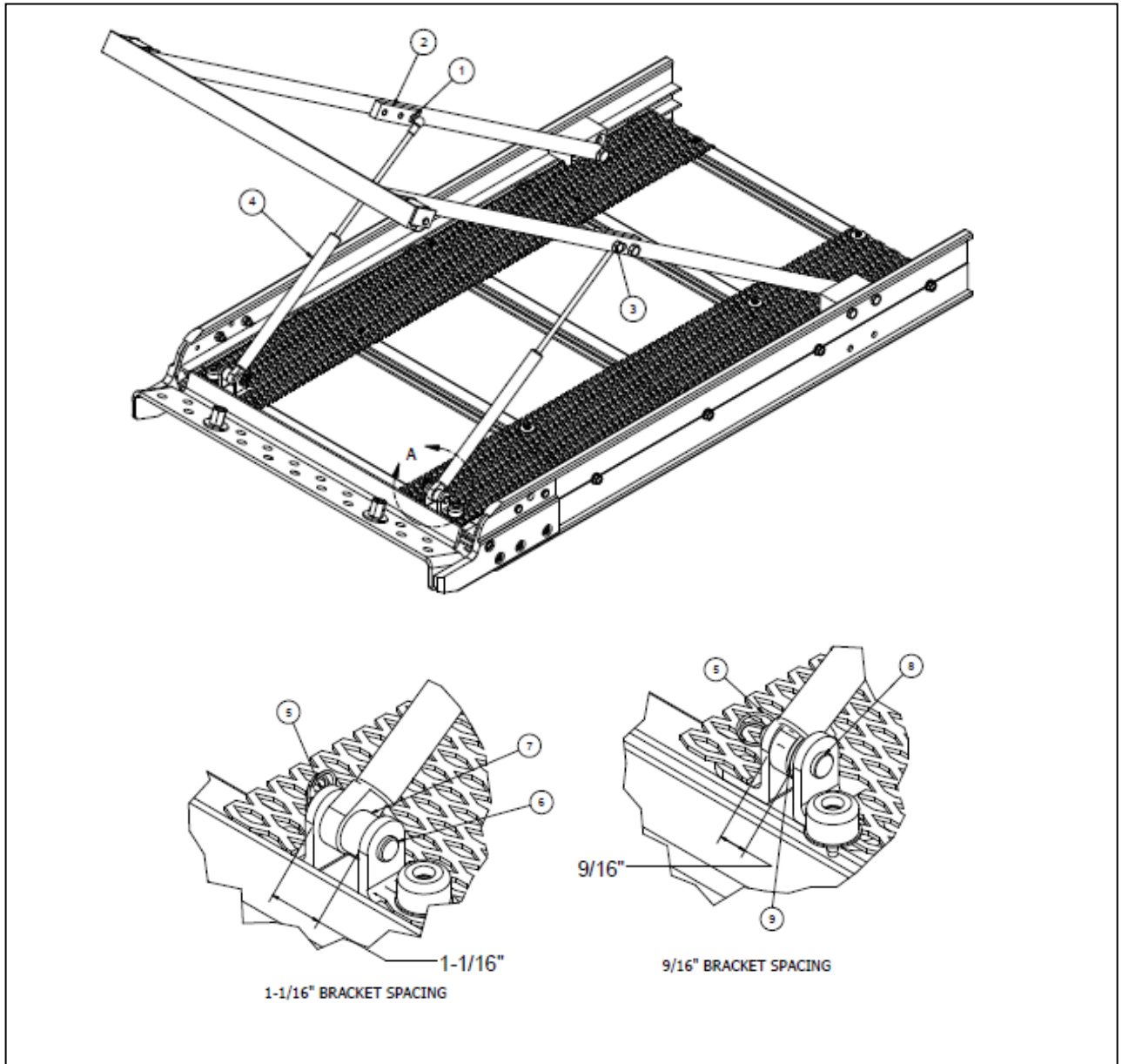


Casting, Transition Kit

Ramp Width	Kit Part No.
25-7/8"	R04270
24-7/8"	R04270-1
23-7/8"	R04270-2
22-7/8"	R04270-3
21-7/8"	R04270-4

Item #	Part Description	Quantity
1	TRANSITION PLATE CASTING	1
2	TIE ROD	1
3	TIE ROD SCREW	2

Gas Spring Retrofit Kit

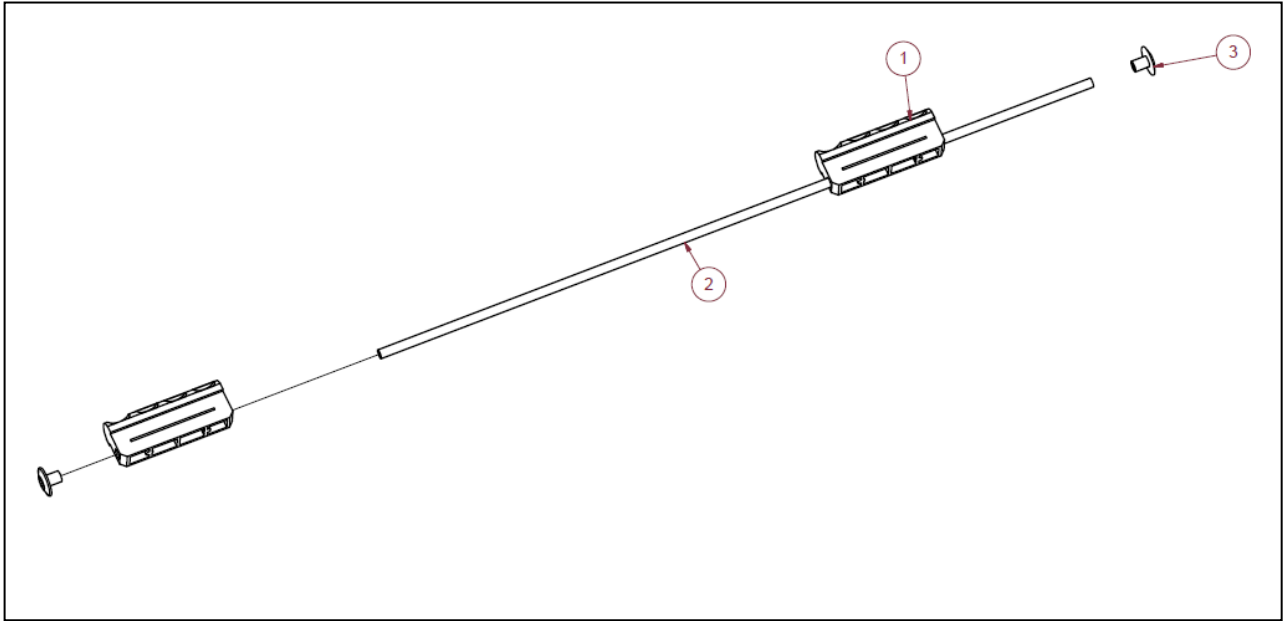


Gas Spring Retrofit Kit, Part No. R01147-3

Item #	Part Description	Quantity
1	BALL STUD 10MM	2
2	ADAPTOR PLATE, GAS SPRING LIFT ASSIST	2

Item #	Part Description	Quantity
3	7/16"-14 X 1-1/2" HEX HD SCREW, GR2, ZP	4
4	SPRING GAS WITH ENDS 10' 12' 14' & 16' RAMP	2
5	COTTER CIRCLE 5/8" SS	2
6	CLEVIS PIN 5/16" X 1-3/4" ZP	2
7	SPACER LDPE .325" IDX.75" ODX.5" LG.	2
8	CLEVIS PIN 5/16" X 1-1/4" ZP	2
9	WASHER 5/16" USS FLAT ZP	2

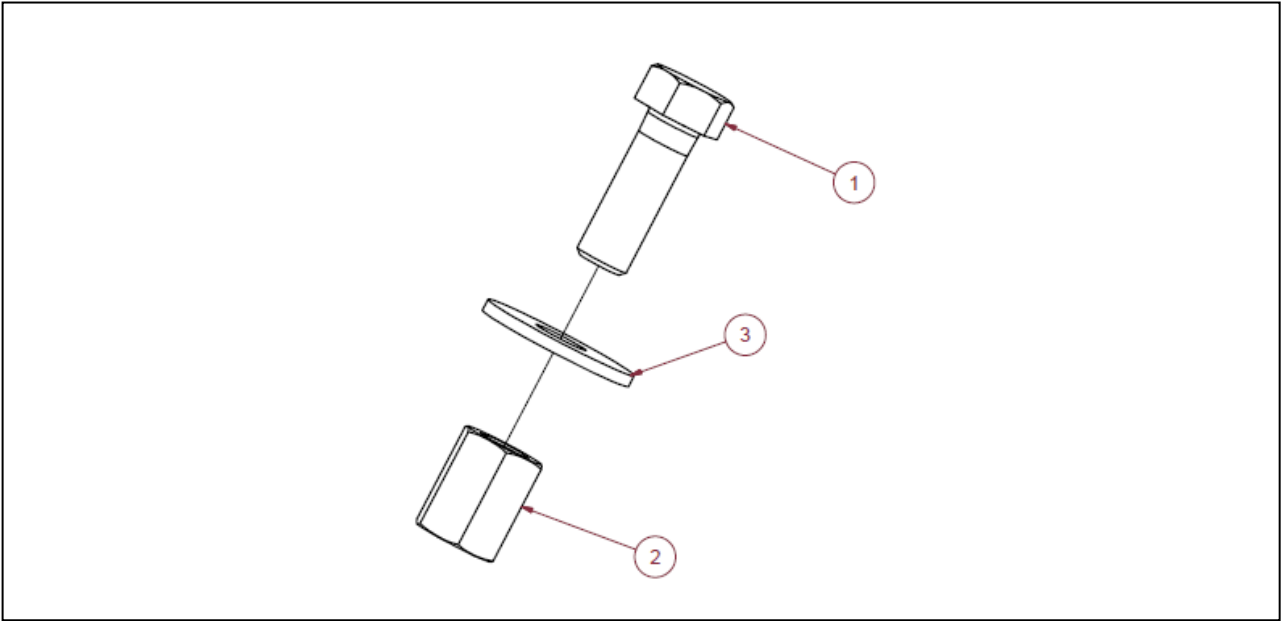
Grab Handle Replacement Kit



Grab Handle Replacement Kit, Part No. R04277

Item #	Part Description	Quantity
1	HANDLE NYLON 6 - ROADWARRIOR	2
1	ALLTHREAD 5/16"-18 X 25-5/8" LONG ZP	1
2	CAMTAINER NUT 5/16"-18 X 1/2" TORX #55	2

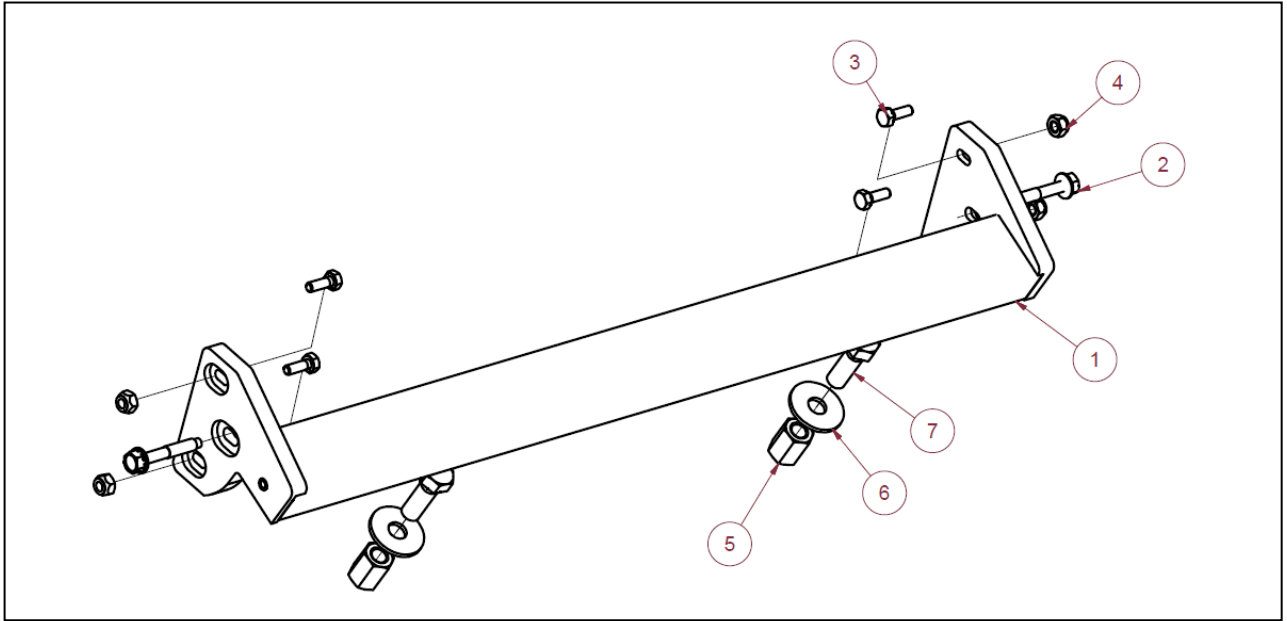
Hook Option Replacement Pin



Hook Option Replacement Pin, Part No. R04278

Item #	Part Description	Quantity
1	1/2"-13 X 1-1/2" HEX HD CAP SCREW GR8 ZP	1
2	1/2"-13 X 1" THIN WALL COUPLER NUT ZP	1
3	WASHER CONICAL 115 THK .515" ID 1.5" OD	1

Hook Support with Stop



Hook Support with Stop

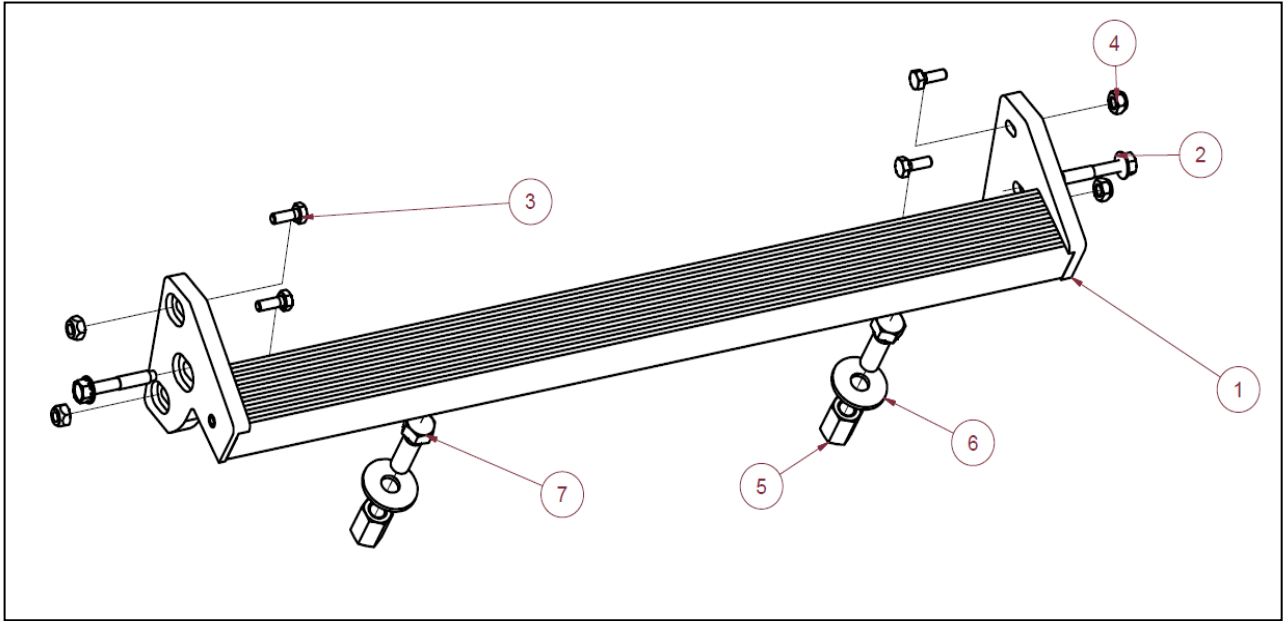
Ramp Width	Kit Part No.
25-7/8"	R04275
24-7/8"	R04275-1
23-7/8"	R04275-2
22-7/8"	R04275-3
21-7/8"	R04275-4

Item #	Part Description	Quantity
1	HOOK SUPPORT WITH STOP	1
2	TIE ROD SCREW	2
3	1/4"-20 X 3/4" HEX HD CAP SCREW SS	4

Hook Support with Stop (cont'd)

Item #	Part Description	Quantity
4	1/4"-20 NYLON INSERT STOP NUT SS	4
5	1/2"-13 X 1 THIN WALL COUPLER NUT ZP	2
6	WASHER CONICAL 115 THK .515" ID 1.5" OD	1
7	1/2"-13 X 1-1/2" HEX HD CAP SCREW GR8 ZP	2

Hook Support w/o Stop



Hook Support w/o Stop

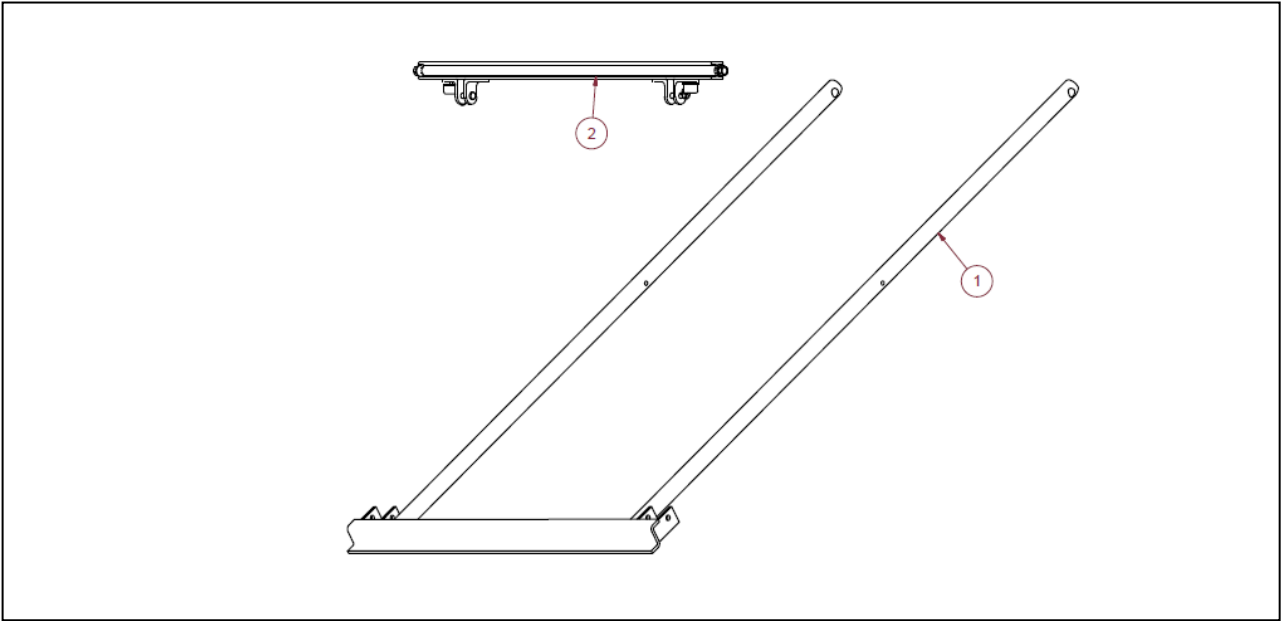
Ramp Width	Kit Part No.
25-7/8"	R04276
24-7/8"	R04276-1
23-7/8"	R04276-2
22-7/8"	R04276-3
21-7/8"	R04276-4

Item #	Part Description	Quantity
1	HOOK SUPPORT W/O STOP	1
2	TIE ROD SCREW	2
3	1/4"-20 X 3/4" HEX HD CAP SCREW SS	4

Hook Support w/o Stop (cont'd)

Item #	Part Description	Quantity
4	1/4"-20 NYLON INSERT STOP NUT SS	4
5	1/2"-13 X 1 THIN WALL COUPLER NUT ZP	2
6	WASHER CONICAL 115 THK .515" ID 1.5" OD	1
7	1/2"-13 X 1-1/2" HEX HD CAP SCREW GR8 ZP	2

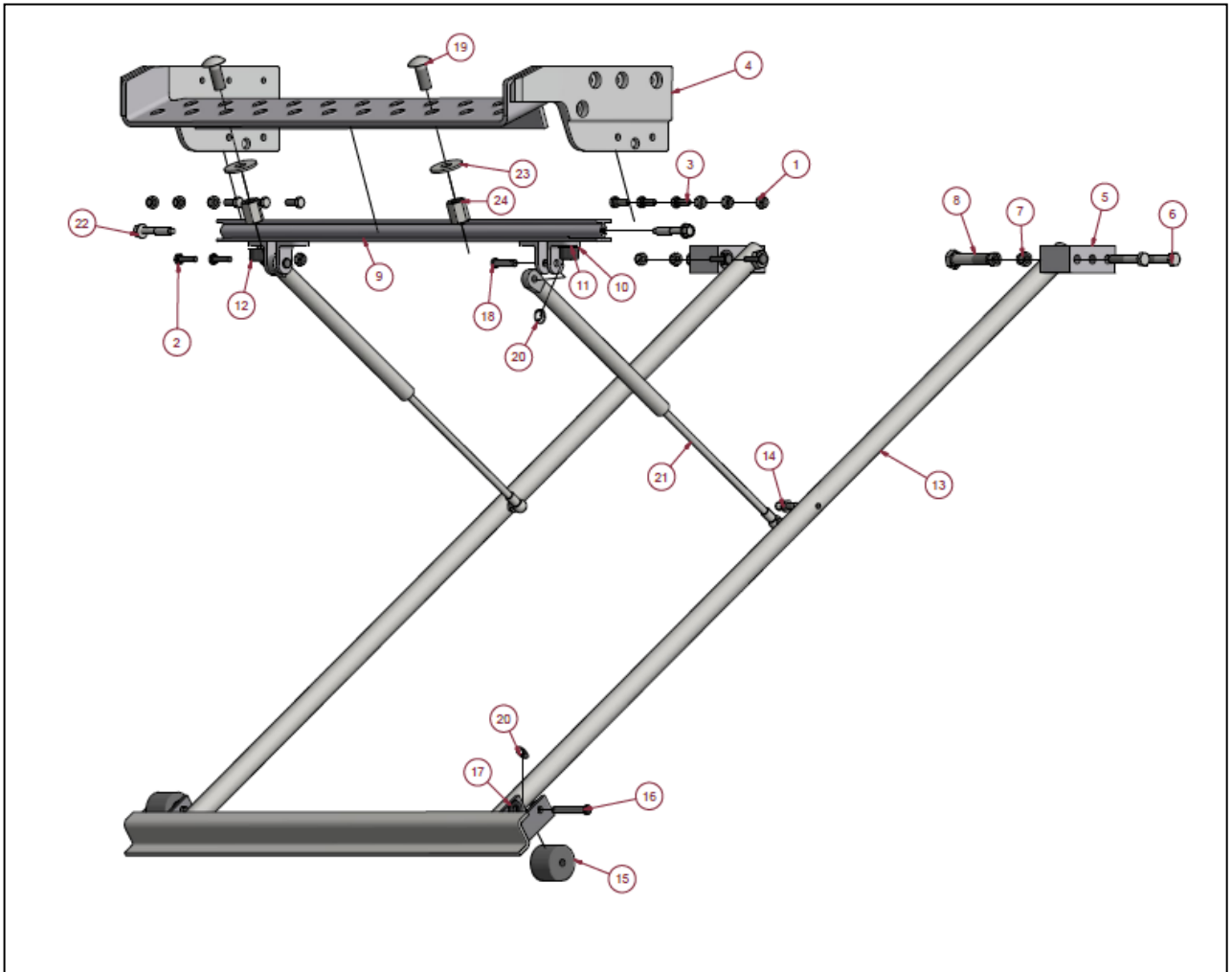
Lift Assist 25-7/8" OD



Lift Assist 25-7/8" OD, Part No. R04312

Item #	Part Description	Quantity
1	TROLLEY FRAME	1
2	SPRING BRACKET TIE ROD W/ BUMPER	1

Lift Assist Kit, Std. with Apron



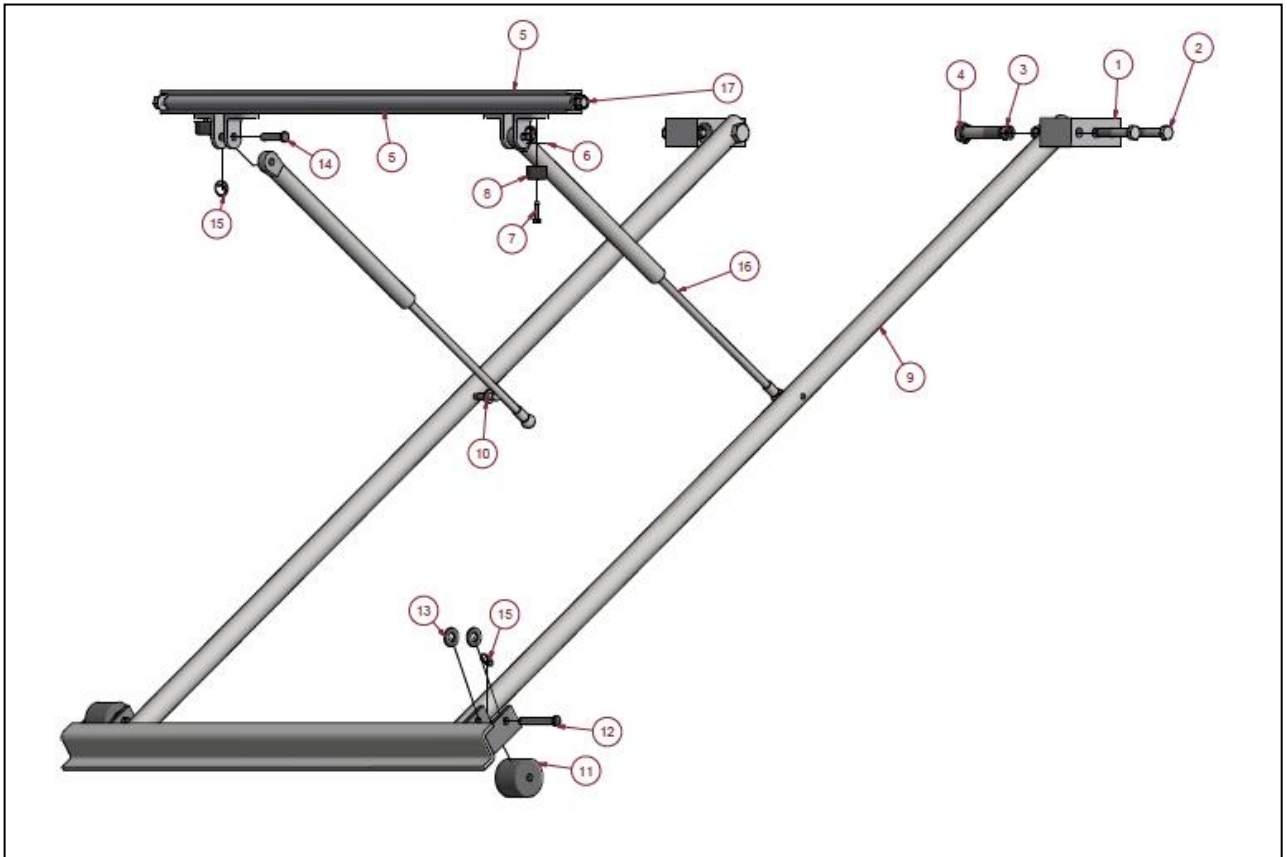
Lift Assist Kit, Std. with Apron, Part No. R01147-1

Item #	Part Description	Quantity
1	1/4"-20 NYLON INSERT STOP NUT SS	10
2	1/4"-20 X 1 GR5 HEX HD CAP SCREW ZP	4
3	1/4"-20 X 3/4" HEX HD CAP SCREW SS	6
4	LA APRON ASSEMBLY 3-5/8' X 25-1/8" RAMP OD 25-7/8'	1
5	MOUNTING BLOCK LA - RW	2

Lift Assist Kit, Std. with Apron (cont'd)

Item #	Part Description	Quantity
6	3/8"-16 X 2 HEX HD CAP SCREW GR5 ZP	4
7	3/8"-16 LOCK W/NYLON INSERT NUT SS	4
8	1/2"-12 X 2-1/2" HEX HD CAP SCREW GR8 ZP	2
9	TIE ROD W/ SPRING BRACKET 24-3/4" W	1
10	WASHER FLAT 3/16" X 1" 18-8 SS	2
11	SCREW SLF DRL SS HEX HD 10-16 x 3/4"	2
12	BUMPER 7/8" OD X 17/32" HIGH W/HOLE	2
13	TROLLEY FRAME - RAMP OD 25-7/8"	1
14	BALL STUD 10MM	2
15	ROLLER 1-5/8" OD UHMW BLK - RW	2
16	CLEVIS PIN 5/16" X 2-1/8" ZP	2
17	WASHER FLAT 3/8" X 7/8" 18-8 SS	4
18	CLEVIS PIN 5/16" X 1-1/4" ZP	2
19	1/2"-13 X 1-1/4" ZP CARRIAGE BOLT	2
20	COTTER CIRCLE 5/8" SS	4
21	SPRING GAS WITH ENDS 10' 12' 14' & 16' RAMP	2
22	TIE ROD SCREW	2
23	WASHER CONICAL 115 THK .515" ID 1.5" OD	2
24	1/2"-13 X 1" THIN WALL COUPLER NUT ZP	2

Lift Assist Kit, Std. w/o Apron



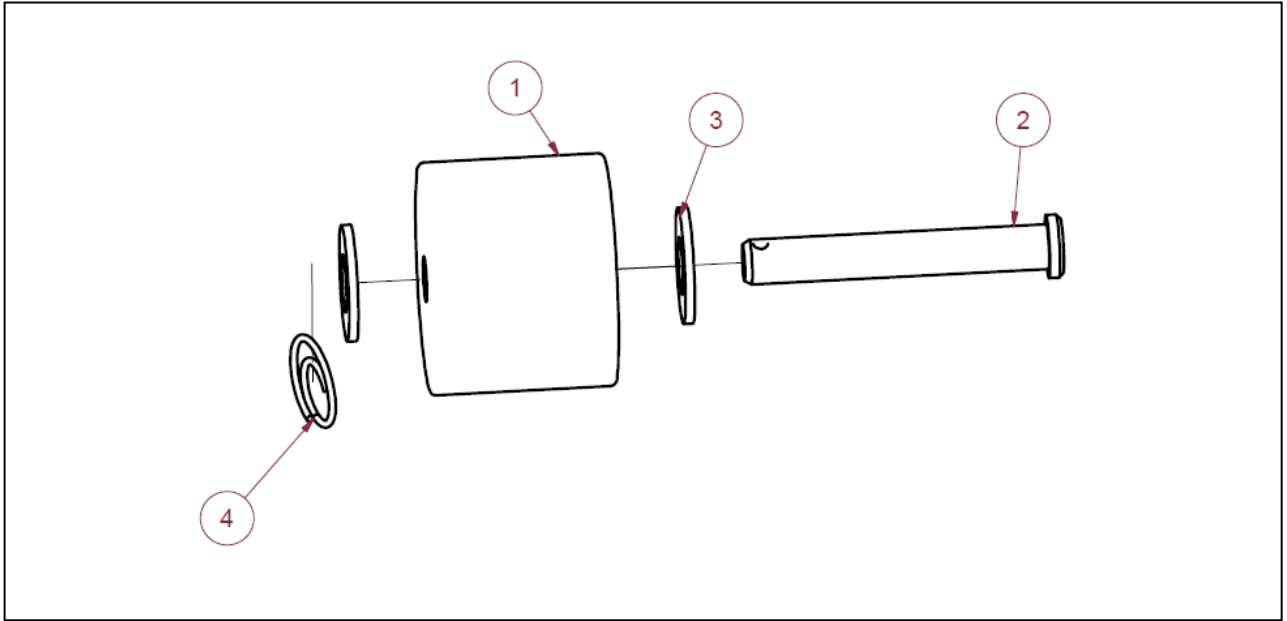
Lift Assist Kit, Std. w/o Apron, Part No. R01147-2

Item #	Part Description	Quantity
1	MOUNTING BLOCK LA - RW	2
2	3/8"-16 X 2 HEX HD CAP SCREW GR5 ZP	4
3	3/8"-16 LOCK W/NYLON INSERT NUT SS	4
4	1/2"-12 X 2-1/2" HEX HD CAP SCREW GR8 ZP	2
5	TIE ROD W/ SPRING BRACKET 24-3/4" W	1
6	WASHER FLAT 3/16" X 1" 18-8 SS	2
7	SCREW SLFDRL SS HEX HD 10-16 x 3/4"	2
8	BUMPER 7/8" OD X 17/32" HIGH W/HOLE	2

Lift Assist Kit, Std. w/o Apron (cont'd)

Item #	Part Description	Quantity
9	TROLLEY FRAME - RAMP OD 25-7/8"	1
10	BALL STUD 10MM	2
11	ROLLER 1-5/8" OD UHMW BLK - RW	2
15	COTTER CIRCLE 5/8" SS	4
16	SPRING GAS WITH ENDS 10' 12' 14' & 16' RAMP	2
17	TIE ROD SCREW	2

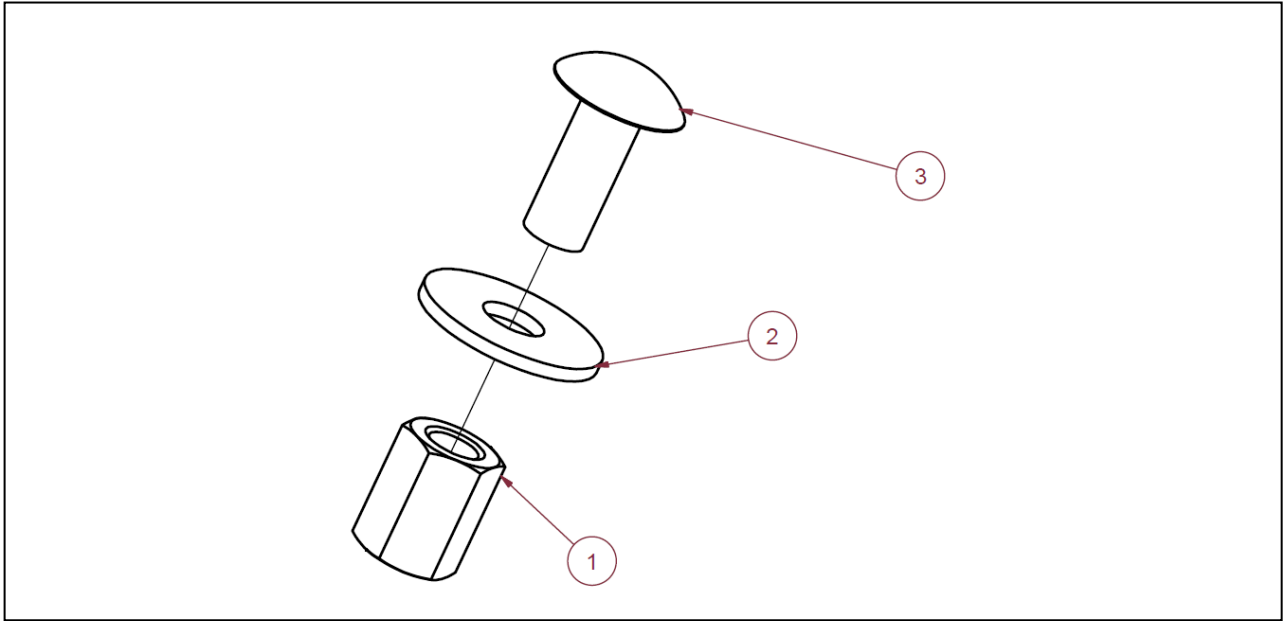
Lift Assist Wheel Kit



Lift Assist Wheel Kit, Part No. R04284

Item #	Part Description	Quantity
1	ROLLER RW & LA 1-5/8" OD UHMW BLK	1
2	CLEVIS PIN 5/16" X 2-1/8" ZP	1
3	WASHER 3/8" X 7/8" 18-8 FLT SS	2
4	COTTER CIRCLE 5/8" SS	1

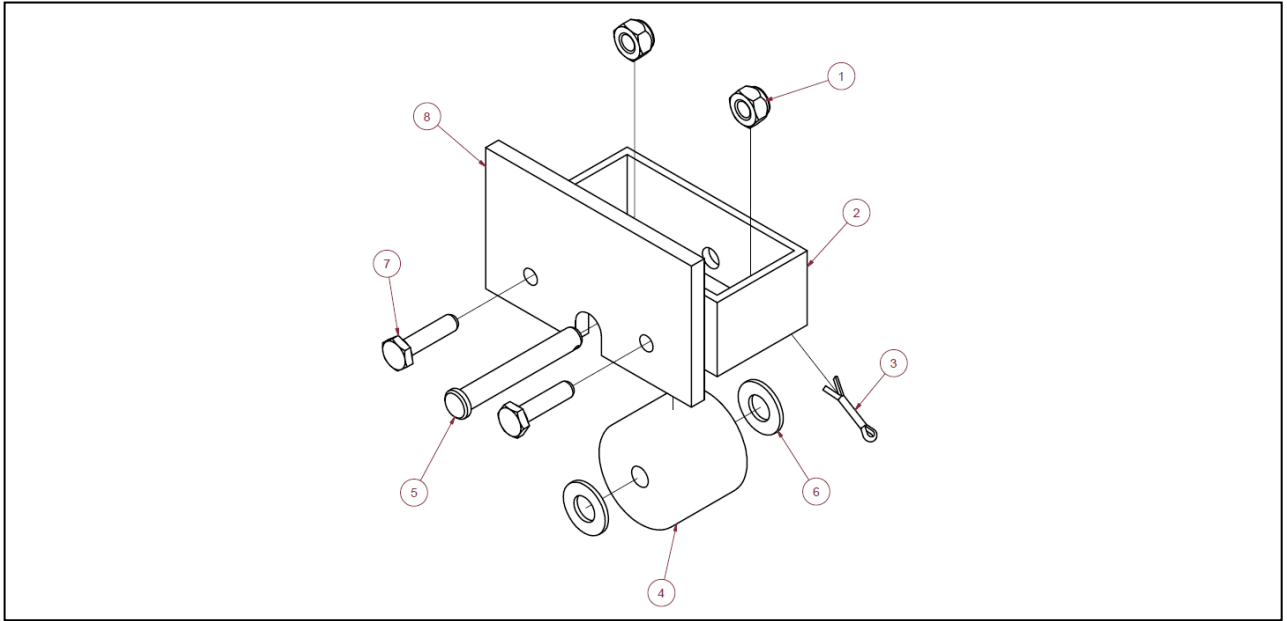
Ramp Pin Replacement Kit



Ramp Pin Replacement Kit, Part No. R04279

Item #	Part Description	Quantity
1	1/2"-13 X 1 THIN WALL COUPLER NUT ZP	1
2	WASHER CONICAL 115 THK .515" ID 1.5" OD	1
3	CARRIAGE BOLT 1/2"-13 X 1-1/4" ZP	1

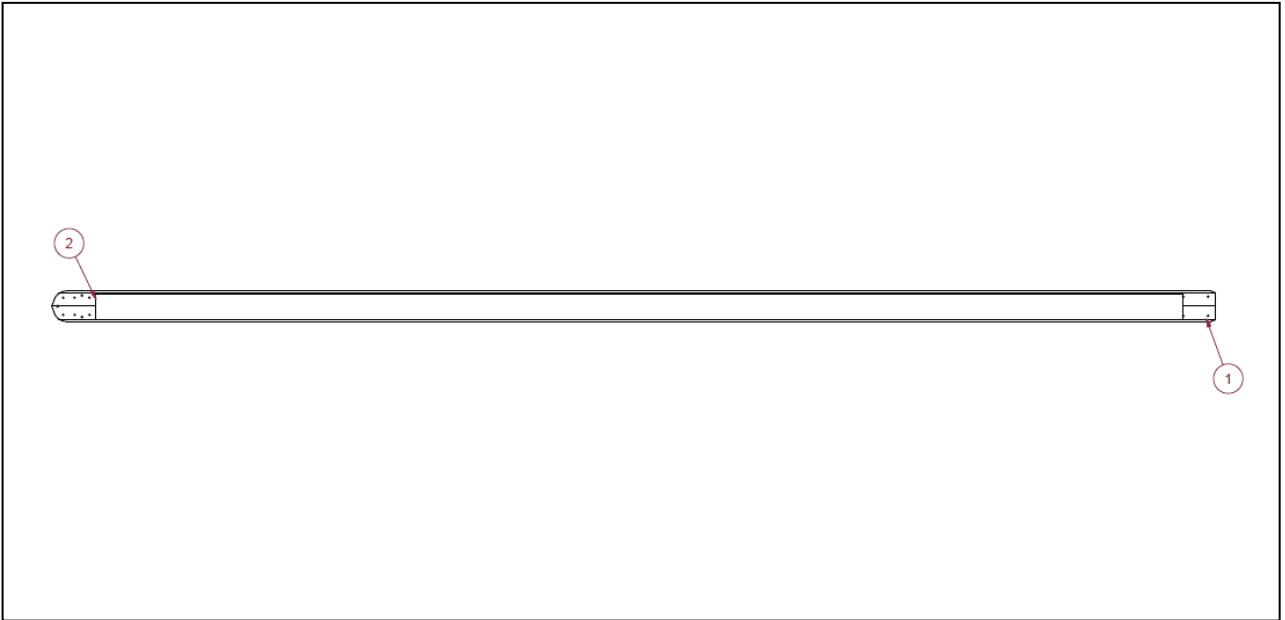
Roller Replacement Kit



Roller Replacement Kit, Part No. R04280

Item #	Part Description	Quantity
1	1/4"-20 NYLON INSERT STOP NUT SS	2
2	ROLLER HOUSING	1
3	COTTER PIN 1/8" X 3/4" SS	1
4	ROLLER RW & LA 1-5/8" OD UHMW BLK	1
5	CLEVIS PIN 5/16" X 2-1/4" ZP	1
6	WASHER 3/8" X 7/8" 18-8 FLT SS	2
7	1/4"-20 X 1 GR5 HEX HD CAP SCREW ZP	2
8	SUPPORT PLATE APRON	1

Side Rail Kit, RoadwarriorR, Left Side w/Labels

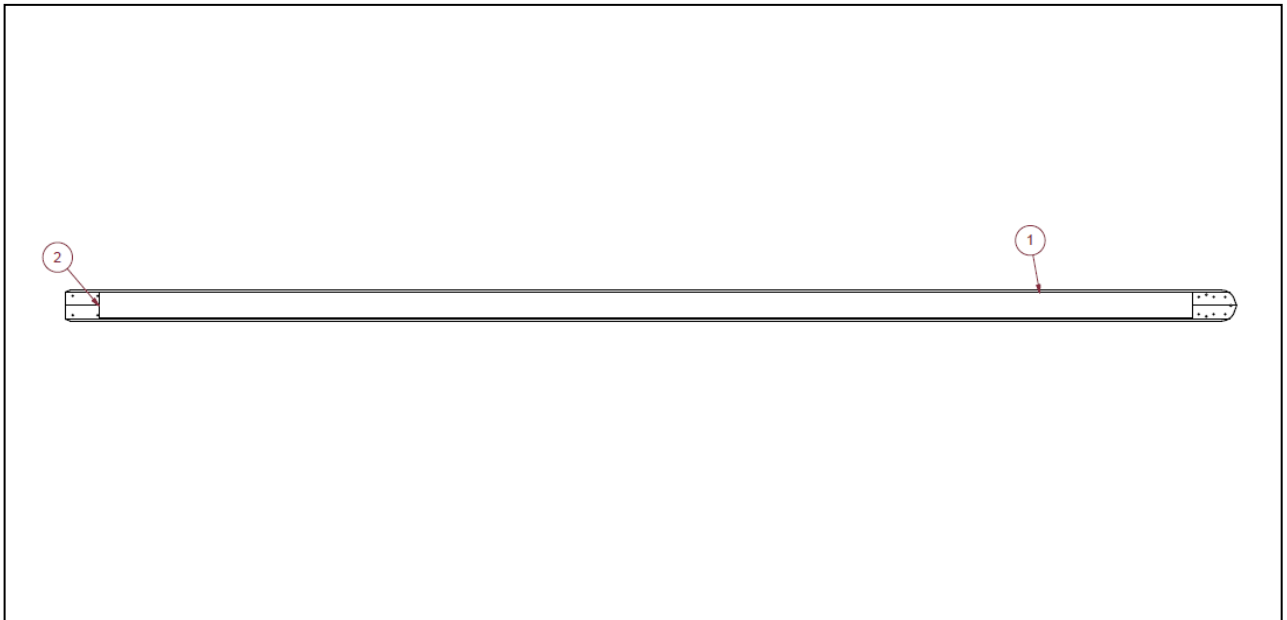


Side Rail Kit (RoadwarriorR), Left Side w/ Labels

Ramp Length	Kit Part No.
16'	R03109
14'	R03111
12'	R04099
10'	R04101
8'	R04103

Item #	Part Description	Quantity
1	RAMP SIDE RAIL, LEFT SIDE	1
2	ROADWARRIOR RAMP LABEL	1

Side Rail Kit, Roadwarrior™, Right Side w/Labels

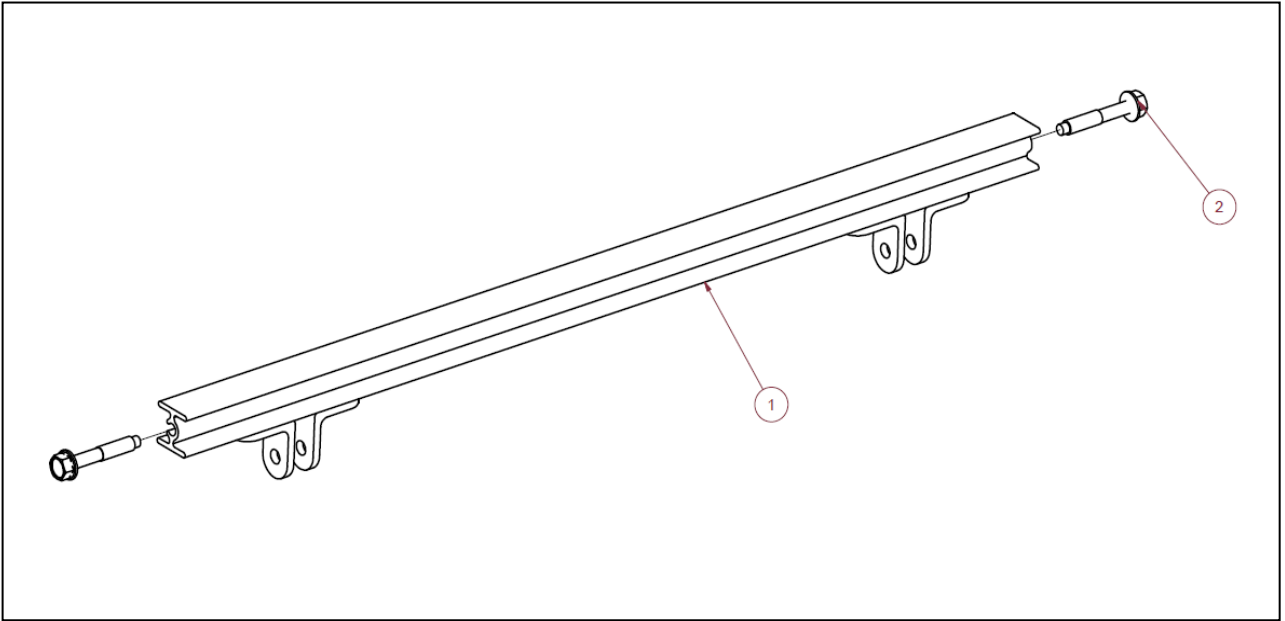


Side Rail Kit (RoadwarriorR), Right Side w/ Labels

Ramp Length	Kit Part No.
16'	R03110
14'	R03112
12'	R04100
10'	R04102
8'	R04104

Item #	Part Description	Quantity
1	RAMP SIDE RAIL, RIGHT SIDE	1
2	ROADWARRIOR RAMP LABEL	1

Tie Rod, Lift Assist Replacement Kit

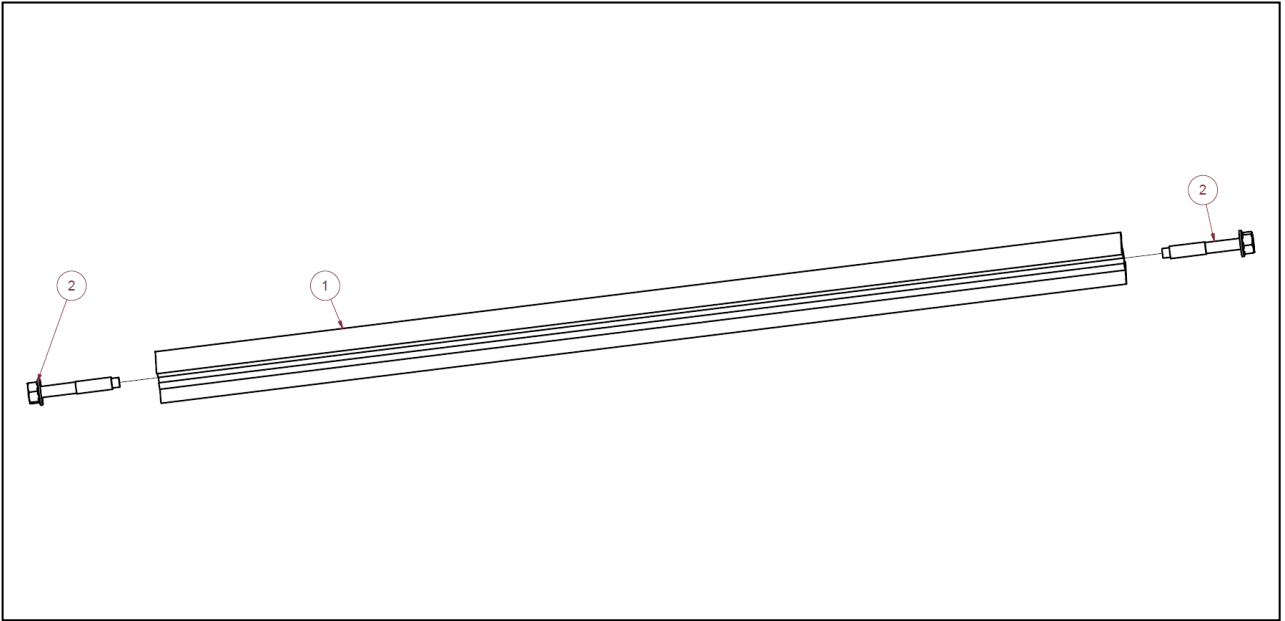


Tie Rod, Lift Assist Replacement Kit

Ramp Width	Kit Part No.
25-7/8"	R04310
24-7/8"	R04310-1
23-7/8"	R04310-2
22-7/8"	R04310-3
21-7/8"	R04310-4

Item #	Part Description	Quantity
1	TIE ROD W/ SPRING BRACKET	1
2	TIE ROD SCREW	2

Tie Rod Replacement Kit

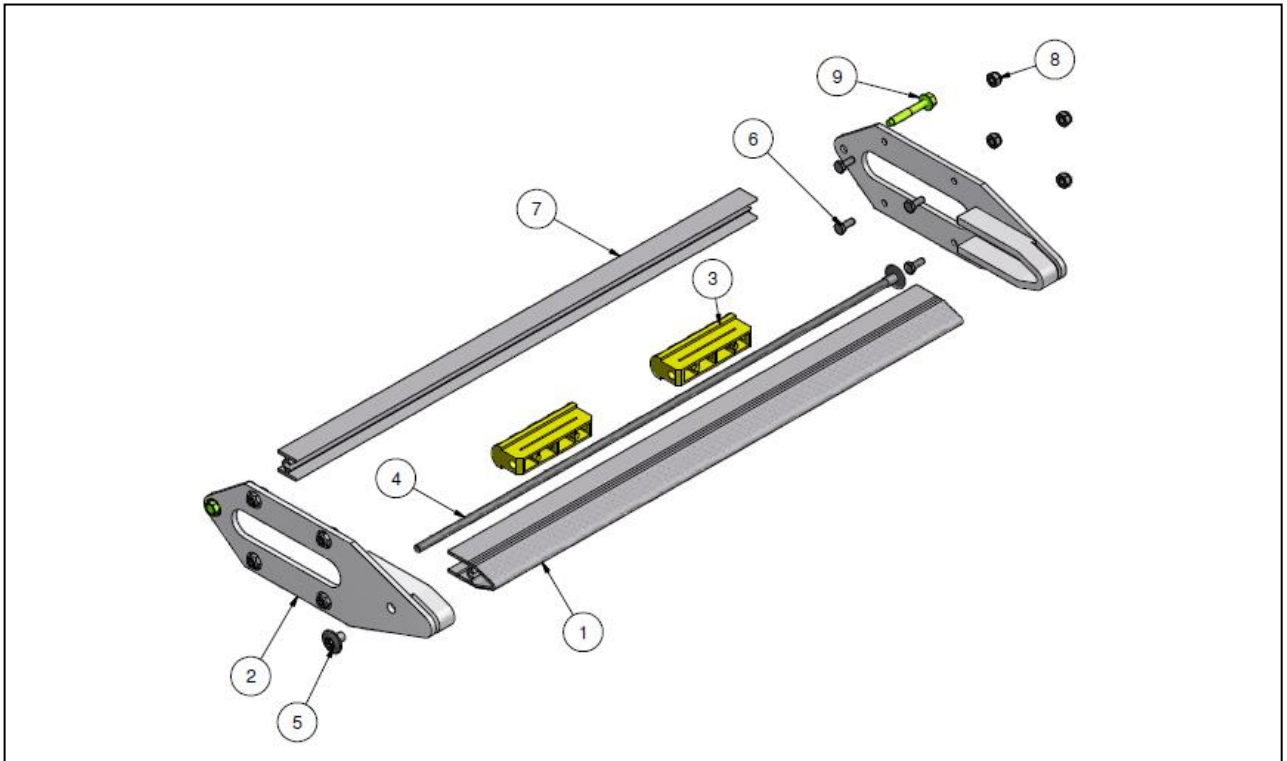


Tie Rod Replacement Kit

Ramp Width	Kit Part No.
25-7/8"	R04285
24-7/8"	R04285-1
23-7/8"	R04285-2
22-7/8"	R04285-3
21-7/8"	R04285-4

Item #	Part Description	Quantity
1	TIE ROD	1
2	TIE ROD SCREW	2

Transition Plate Assembly



Transition Plate Assembly

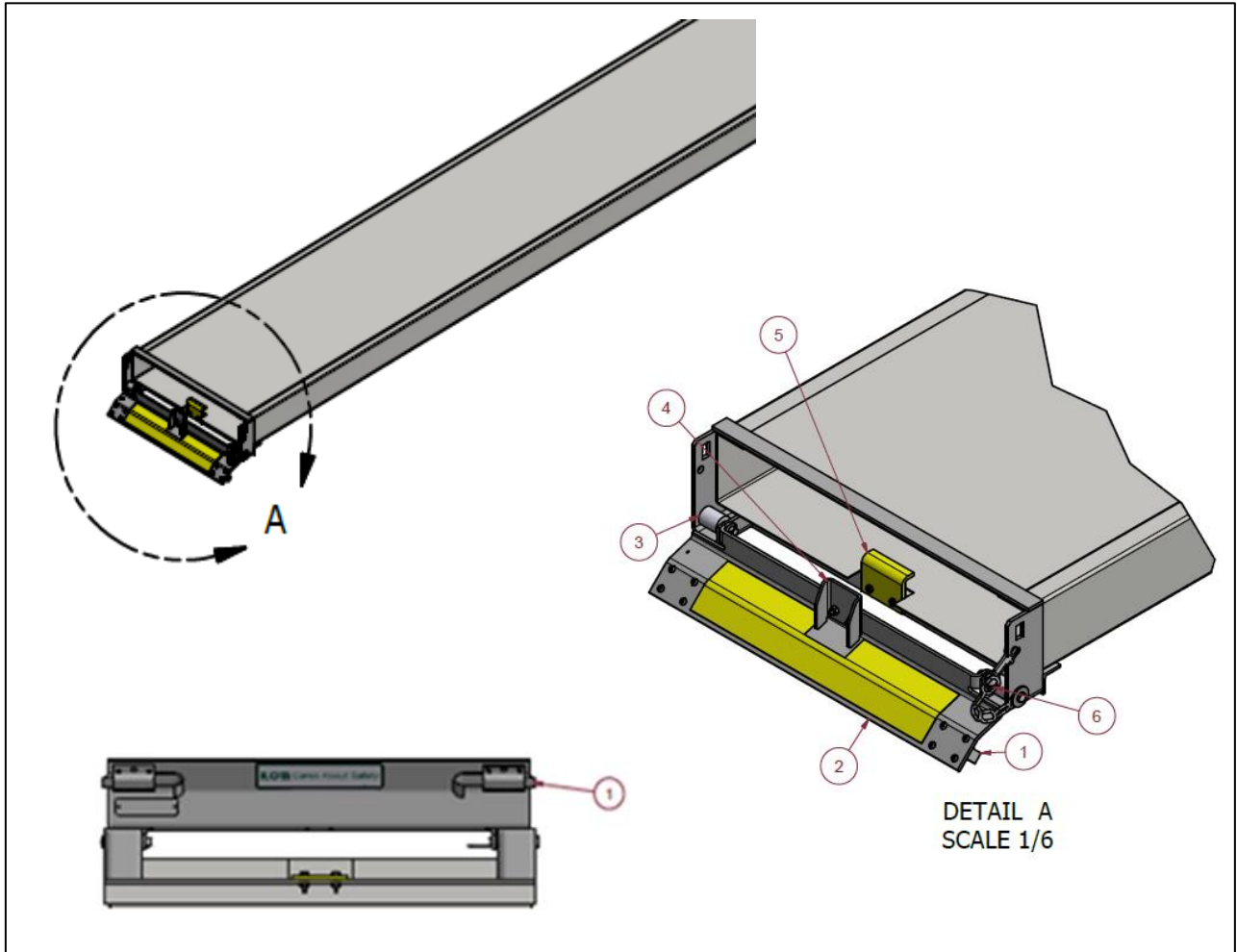
Ramp Width	Kit Part No.
25-7/8"	R00464
24-7/8"	R00465
23-7/8"	R00466
22-7/8"	R00467
21-7/8"	R00468

Item #	Part Description	Quantity
1	TRANSITION PLATE STD	1
2	WEAR BAND / PLATE WELD ASSEMBLY	2

Transition Plate Assembly (cont'd)

Item #	Part Description	Quantity
3	HANDLE W/THRU HOLE ROADWARRIOR	2
4	ALLTHREAD 5/16"-18 X 25-5/8" LONG ZP	1
5	CAMTAINER NUT 5/16"-18 X 1/2" TORX #55	2
6	1/4"-20 X 5/8" HEX HD CAP SCREW SS	8
7	TIE ROD CUT TO STD 24-3/4"	1
8	1/4"-20 NYLON INSERT STOP NUT SS	8
9	TIE ROD SCREW	2
	FM-8.5-44 - WEAR BAND / PLATE RETROFIT INSTRUCTIONS (not shown)	1

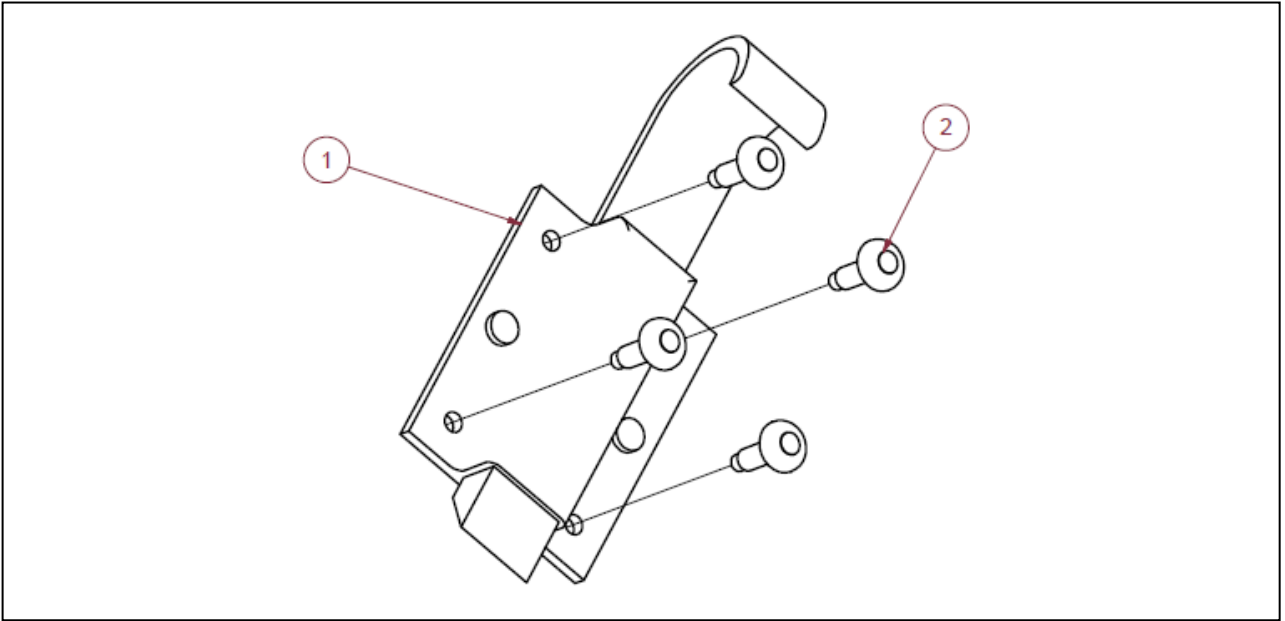
RoadwarrioR™ Carrier Parts Kits



RoadwarrioR Carrier Parts Kits

Item #	Part Description	Page #
1	CARRIER DOOR LATCH KIT	38
2	CARRIER LATCH & DOOR ASSEMBLY	39
3	CARRIER ROLLER REPLACEMENT KIT	40
4	CARRIER STOP KIT (STANDARD)	41
5	CARRIER STOP KIT FOR LIFT ASSIST (LA)	42
6	CARRIER SAFETY CHAIN – RETROFIT KIT	43

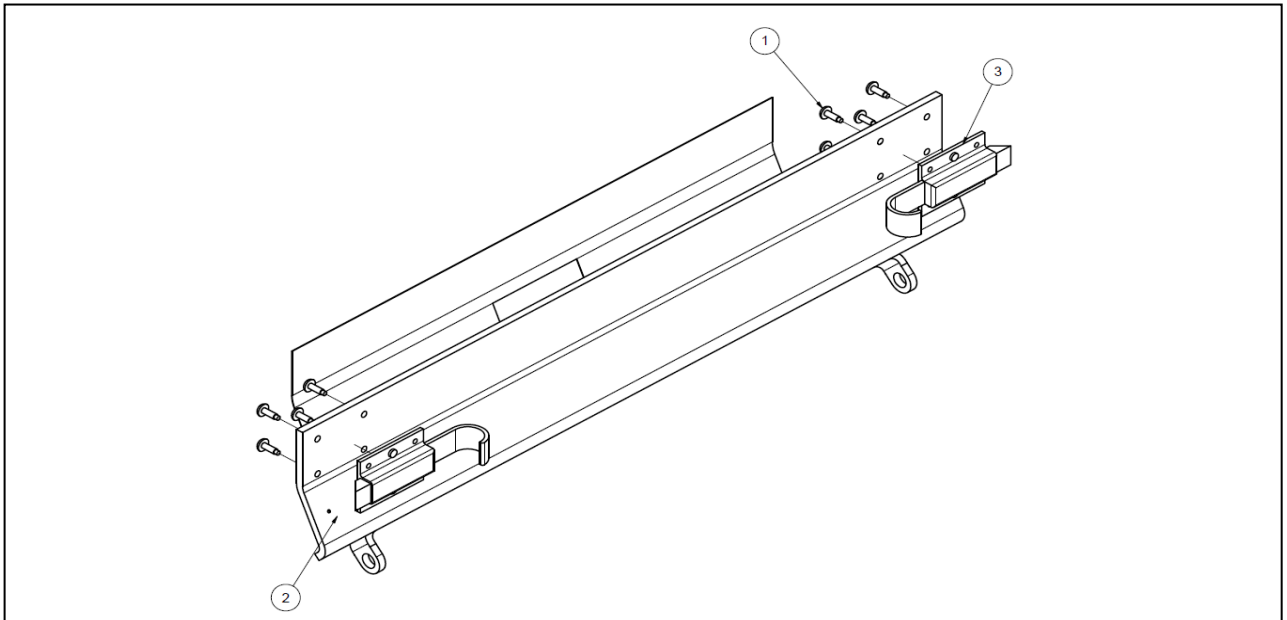
Carrier Door Latch Kit



Carrier Door Latch Kit, Part No. R04281

Item #	Part Description	Quantity
1	FINGER BOLT LATCH	1
2	RIVET SS 3/16" GRIP .214-.437 STRL	4

Carrier Latch & Door Assembly

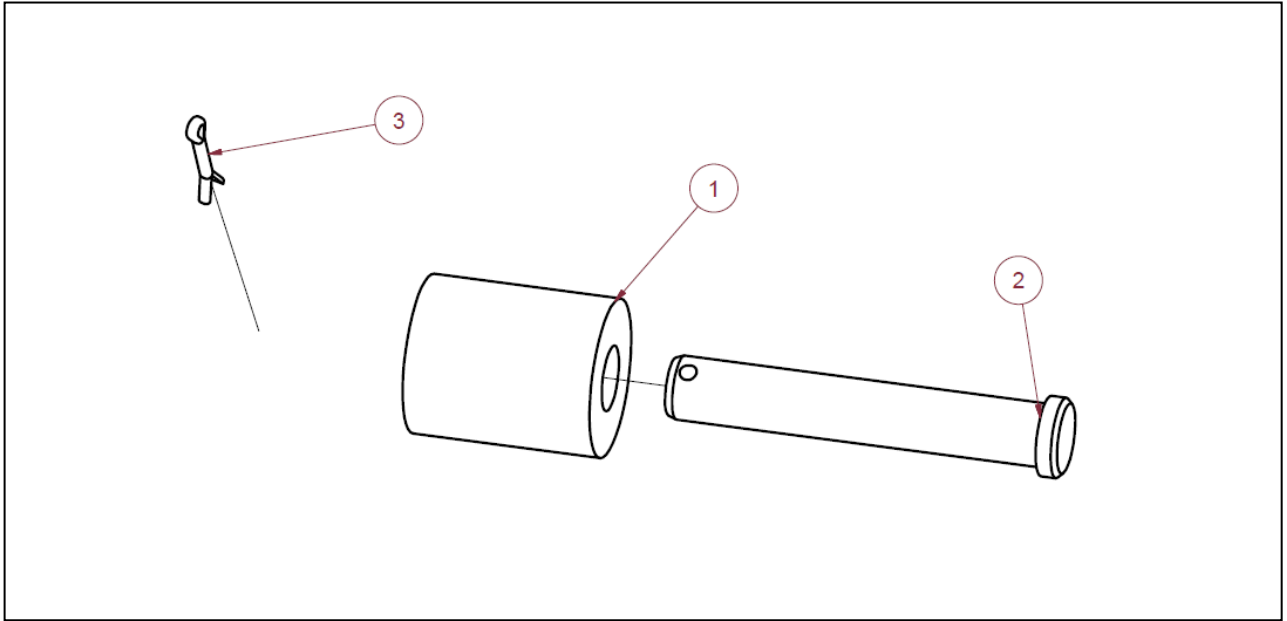


Carrier Latch & Door Assembly

Carrier Width	Kit Part No.
26-3/4" OD / 26-5/8" ID	R00745
25-3/4" OD / 25-5/8" ID	R00746
24-3/4" OD / 24-5/8" ID	R00747
23-3/4" OD / 23-5/8" ID	R00748
22-3/4" OD / 22-5/8" ID	R00749

Item #	Part Description	Quantity
1	RIVET SS 3/16" GRIP .214-.437 STRL	8
2	FLIP COVER BENT STD	1
3	FINGER BOLT LATCH	2
4	LABEL RAMP USAGE - ATTACHED TO FLIP GATE <i>(not shown)</i>	1

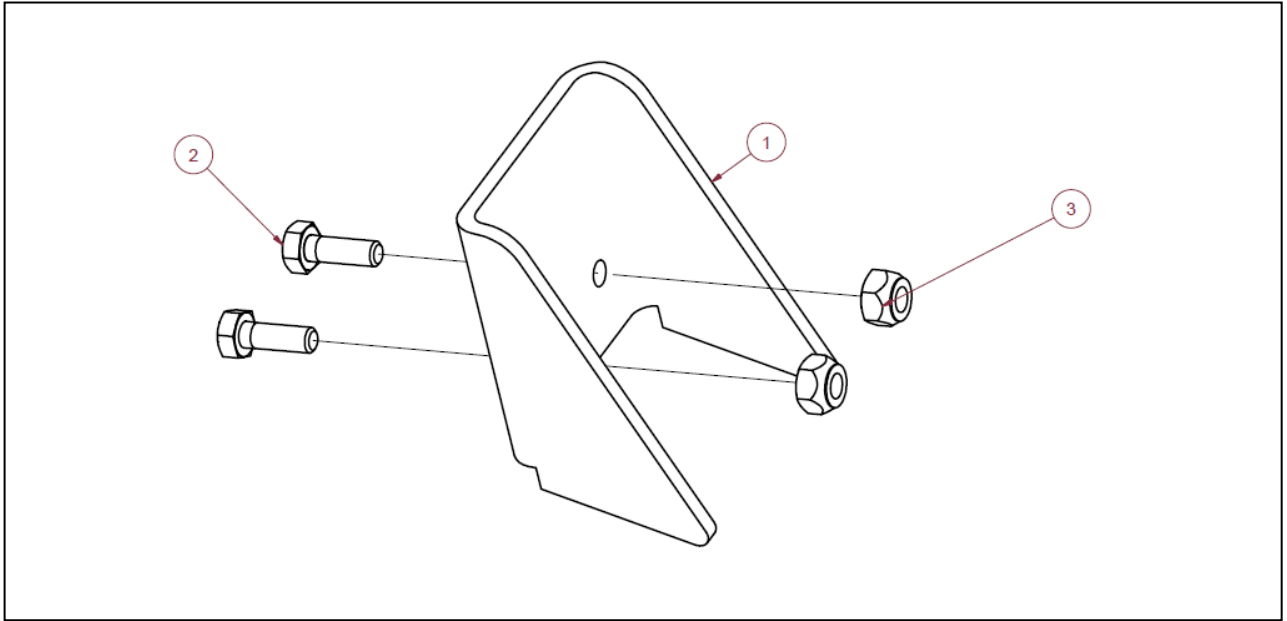
Carrier Roller Replacement Kit



Carrier Roller Replacement Kit, Part No. R04283

Item #	Part Description	Quantity
1	ROLLER UHMW 1.25" OD	1
2	CLEVIS PIN 1/2" X 3" ZP	1
3	COTTER PIN 1/8" X 3/4" SS	1

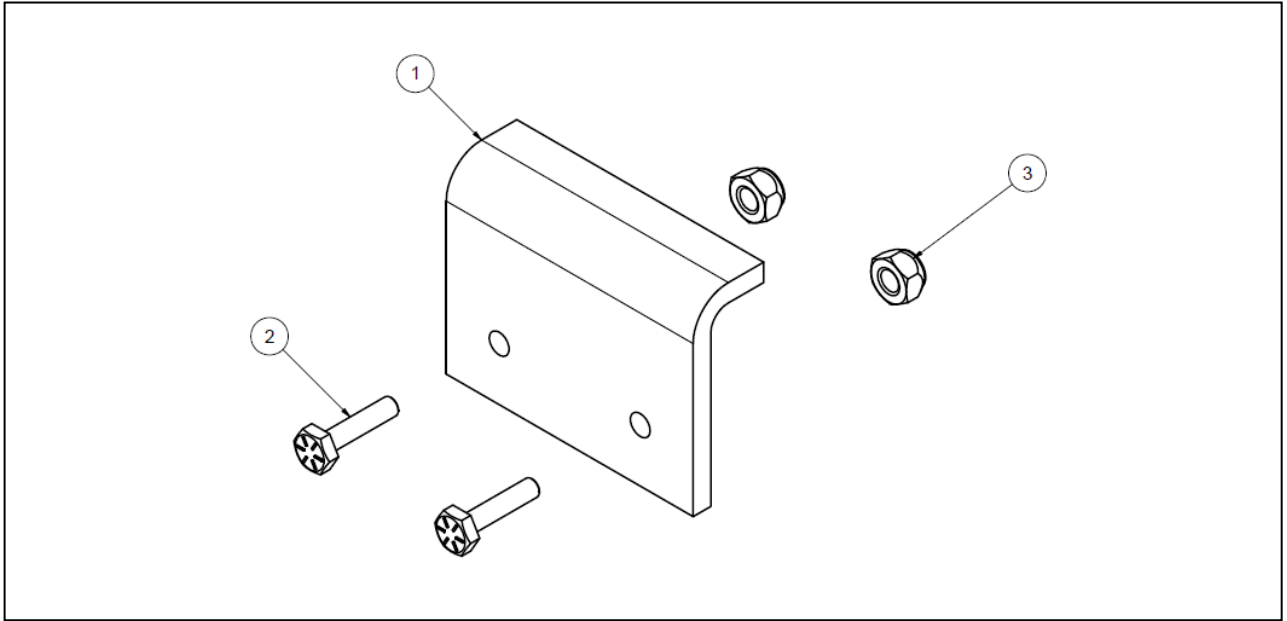
Carrier Stop Kit (Standard)



Carrier Stop Kit (Standard), Part No. R04282

Item #	Part Description	Quantity
1	FLIP GATE STOP, STD RW	1
2	1/4"-20 X 3/4" HEX HD CAP SCREW SS	2
3	1/4"-20 NYLON INSERT STOP NUT SS	2

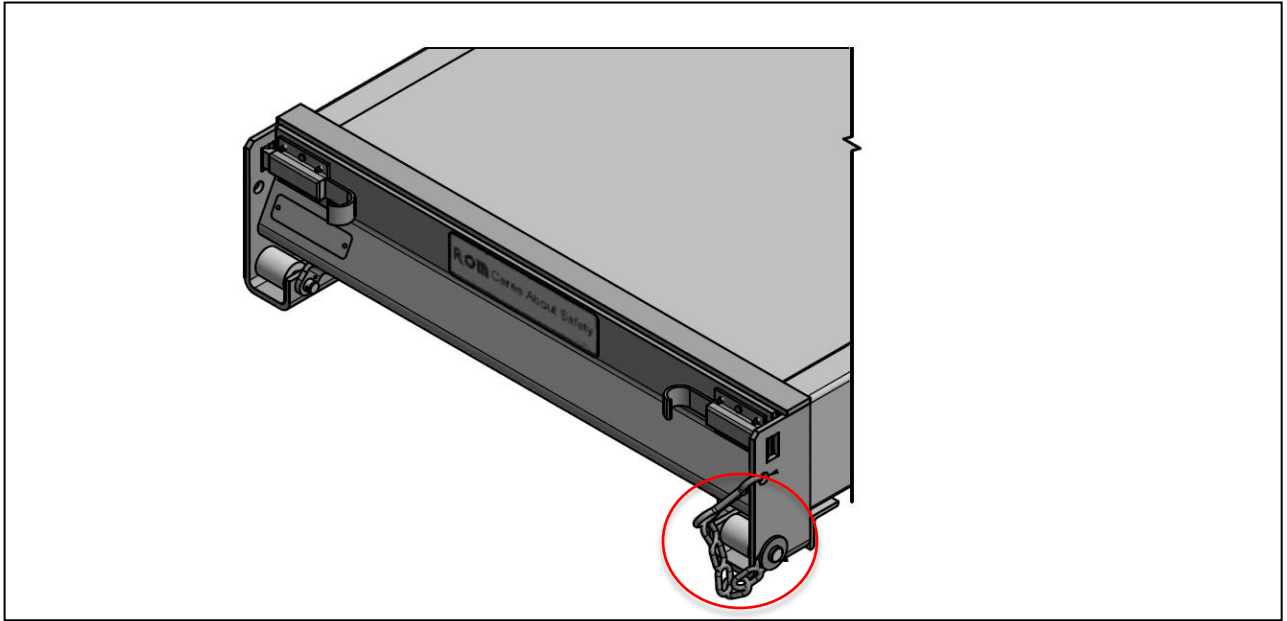
Carrier Stop Kit for Lift Assist (LA)



Carrier Stop Kit for Lift Assist (LA), Part No. R03971

Item #	Part Description	Quantity
1	LA CARRIER STOP COATED	1
2	SCREW 1/4"-20 X 1" GRADE 8 HD	2
3	1/4"-20 NYLON INSERT STOP NUT SS	2

Carrier Safety Chain – Retrofit Kit



Carrier Safety Chain – Retrofit Kit, Part No. R04448

Item #	Part Description	Quantity
1	3/16" QUICK LINK ZINC PLATE	1
2	CHAIN 3/16" STL-ZINC PLD	1
3	SINGLE END SNAP HOOK	1
4	CLEVIS PIN SS 1/2"x3-1/4" USABLE w/ 1/8" CP	1
5	HAIRPIN COTTER 3/8"-1/2" CLEVIS x.079X1.63L	1
6	WASHER FLAT 1/2 USS ZP	1