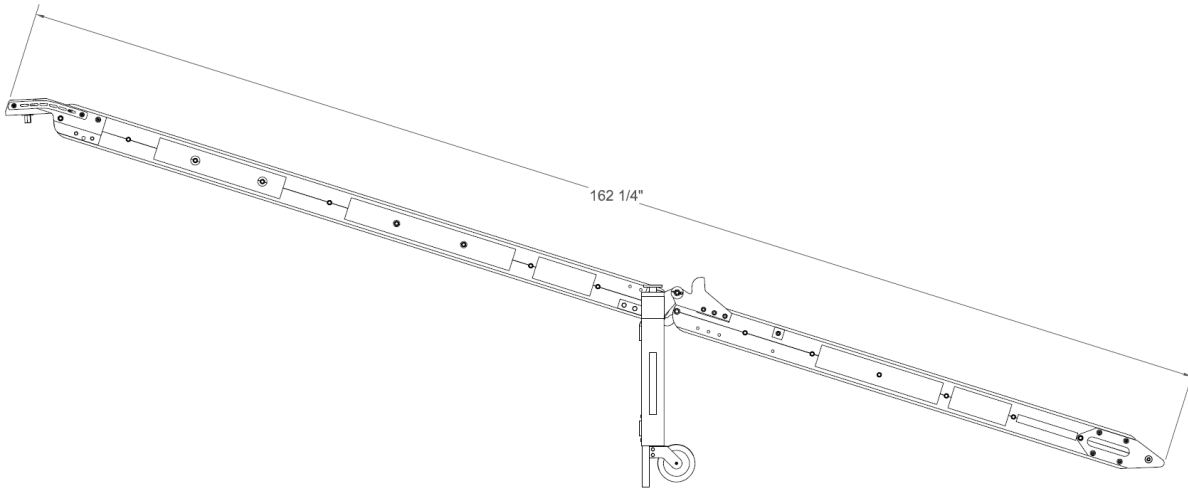


R•O•M SIDEKICK™ Ramp Specification Chart

Deployed Specifications

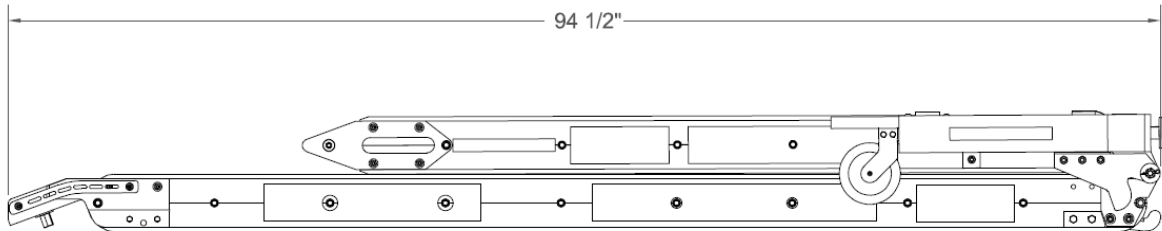
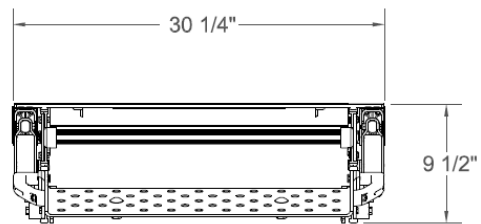
Nominal Ramp Length	Useable Width (ID)	Ramp Width (OD)	Ramp Height	Recommended Deck Height	Approx. Weight
162-1/4"	24-1/2"	25-7/8"	4-5/8"	47" to 56"	154 lbs.

Load capacity of ramp is 1,000 lbs.



Folded Specifications

Folded Length	Folded Width (OD)	Folded Height
94-1/2"	30-1/4"	9-1/2"

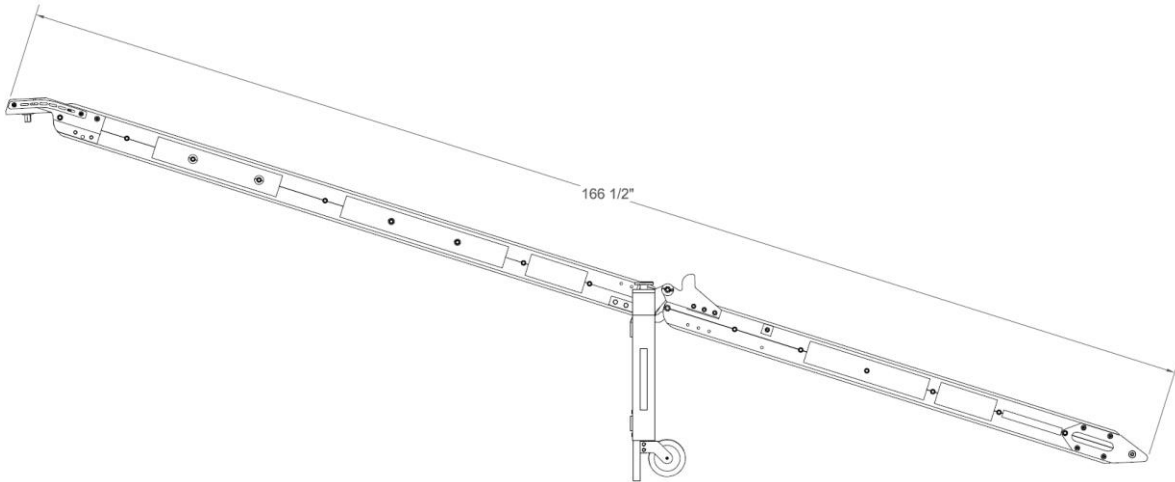


R•O•M SIDEKICK™ Ramp w/Extended Apron Specification Chart

Deployed Specifications

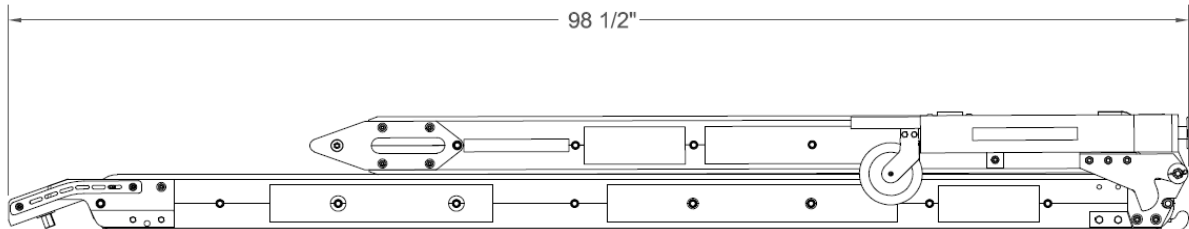
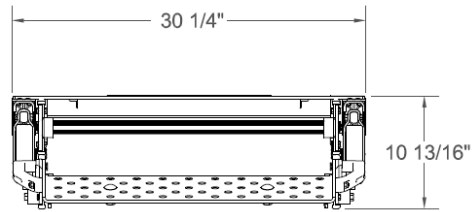
Nominal Ramp Length	Useable Width (ID)	Ramp Width (OD)	Ramp Height	Recommended Deck Height	Approx. Weight
166-1/2"	24-1/2"	25-7/8"	4-5/8"	47" to 56"	154 lbs.

Load Capacity of ramp is 1,000 lbs.



Folded Specifications

Folded Length	Folded Width (OD)	Folded Height
98-1/2"	30-1/4"	10-13/16"



R•O•M SIDEKICK™ Enclosure Specification Chart

Enclosure Length	Width & Height of Enclosure Body	Width & Height of End Gate	Approx. Weight
96" Std. Enclosure 99" Dual Gate	31" W x 10-1/2" H	32-1/2" W x 12-3/4" H	222 lbs.

