

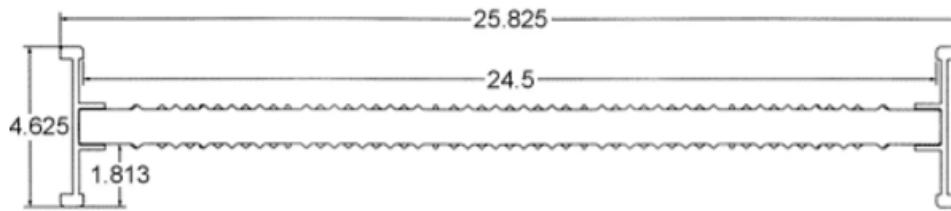
R·O·M ROADWARRIOR™ Ramp Specification Chart

Nominal Ramp Length	Useable Width	Ramp Width (OD)	Ramp Width at Widest Point (apron)	Ramp Height	Recommended Deck Height	Approx. Weight	Approx. Weight w/ Lift Assist
16'	24-1/2"	25-7/8"	26-1/4"	4-5/8"	57" to 64"	127 lbs.	161 lbs.
14'	24-1/2"	25-7/8"	26-1/4"	4-5/8"	47" to 56"	115 lbs.	149 lbs.
12'	24-1/2"	25-7/8"	26-1/4"	4-5/8"	39" to 46"	98 lbs.	132 lbs.
10'	24-1/2"	25-7/8"	26-1/4"	4-5/8"	31" to 38"	85 lbs.	119 lbs.
8'	24-1/2"	25-7/8"	26-1/4"	4-5/8"	26" to 30"	65 lbs.	99 lbs.

Load Capacity of ramps is 1,000 lbs.
Actual size may vary slightly

Maximum widths are shown.

Narrower custom sizes available in 1" increments: 25-5/16", 24-5/16", 23-5/16", 22-5/16"

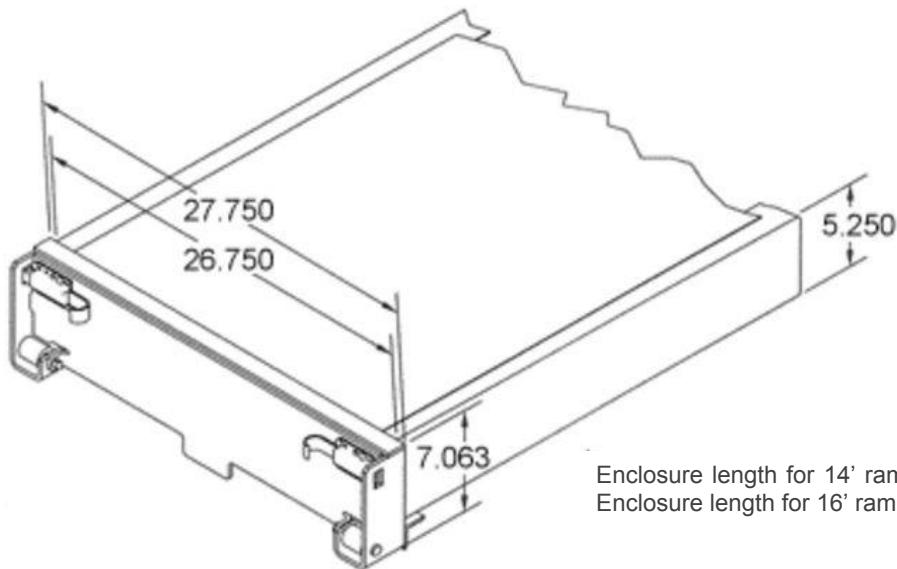


RoadwarriorR - Front Width View

R•O•M ROADWARRIOR™ Enclosure Specification Chart

Enclosure Length	Width & Height of Enclosure Body	Width & Height of End Gate	Approx. Weight w/o Enclosure Top	Approx. Weight with Enclosure Top
17' 1-3/4"	26-3/4" W x 5-1/4" H	27-3/4" W x 7-1/16" H	198 lbs.	297 lbs.
15' 1-3/4"	26-3/4" W x 5-1/4" H	27-3/4" W x 7-1/16" H	181 lbs.	235 lbs.

17' Enclosure is for 16' Ramp
 15' Enclosure is for 14', 12', and 10' Ramps



Enclosure length for 14' ramp is 15' 1-3/4"
 Enclosure length for 16' ramp is 17' 1-3/4"