

# FDP 3434R & 4334R

---

## PARTS MANUAL

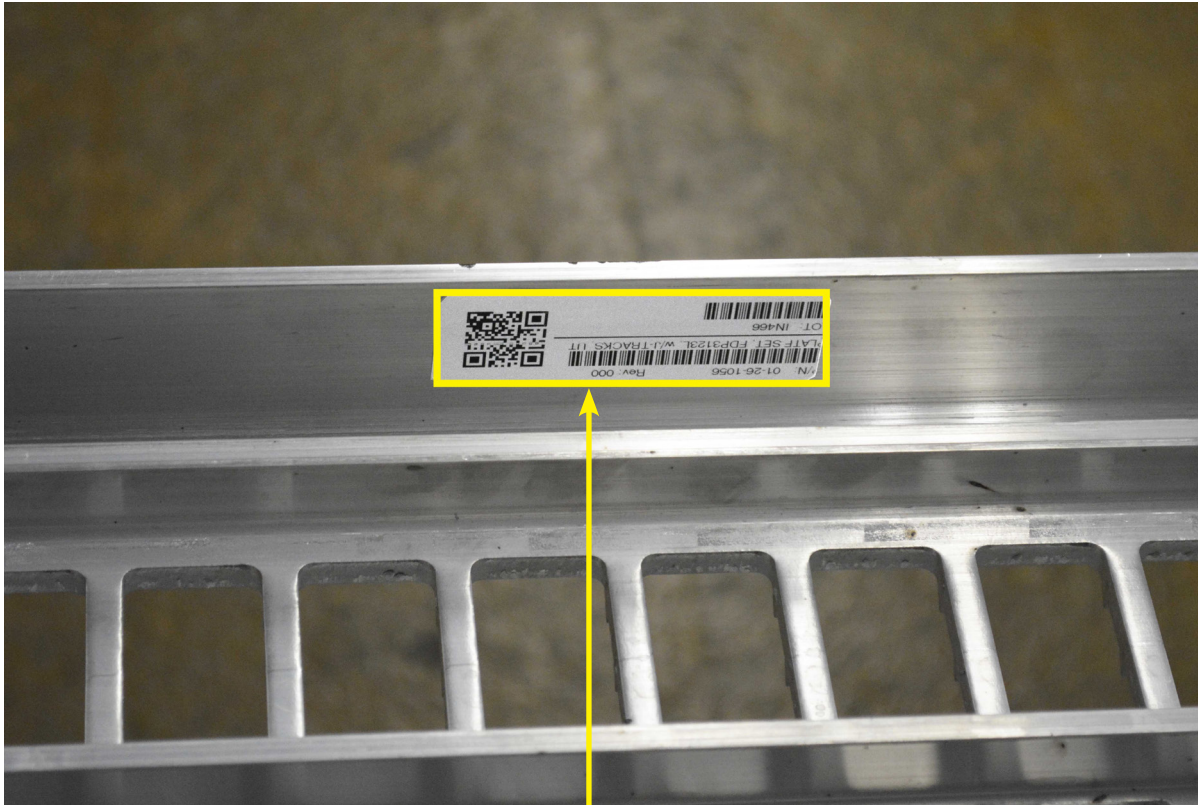


## TABLE OF CONTENTS

Lot Number _____	1
Label Kit _____	2
Side Strip _____	3
Spring Kit _____	4
Pull Strap (1034) _____	5
Strap Bar Kit (1033) _____	6
Strap Bar Kit (1041) _____	7
3434R Assembly Kit _____	8
4334R Assembly Kit _____	9

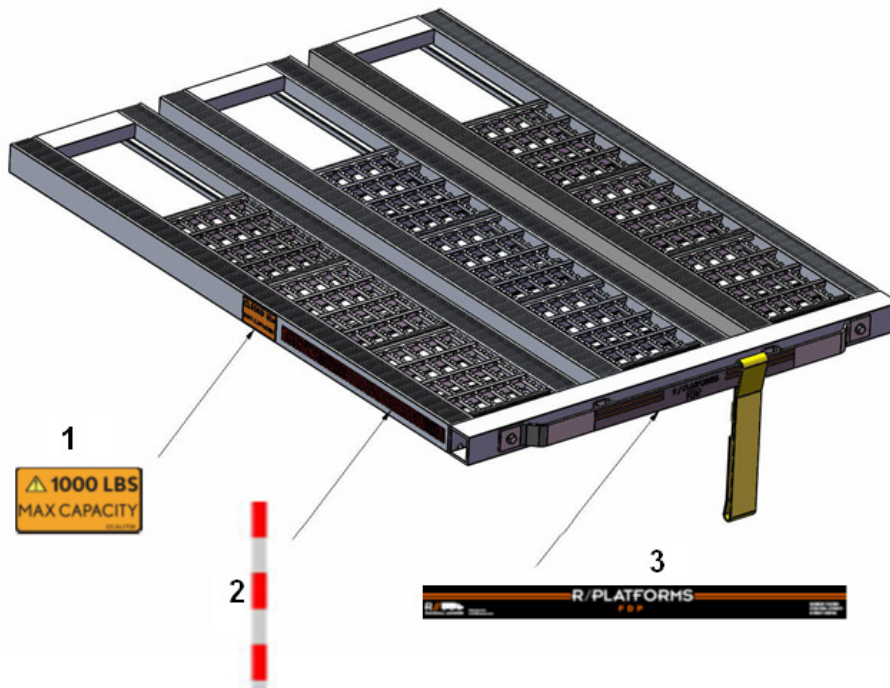
## LOT NUMBER LOCATION

**PLEASE NOTE:** Be sure to check the Lot Number before ordering parts.



Lot Number located center inside of platform

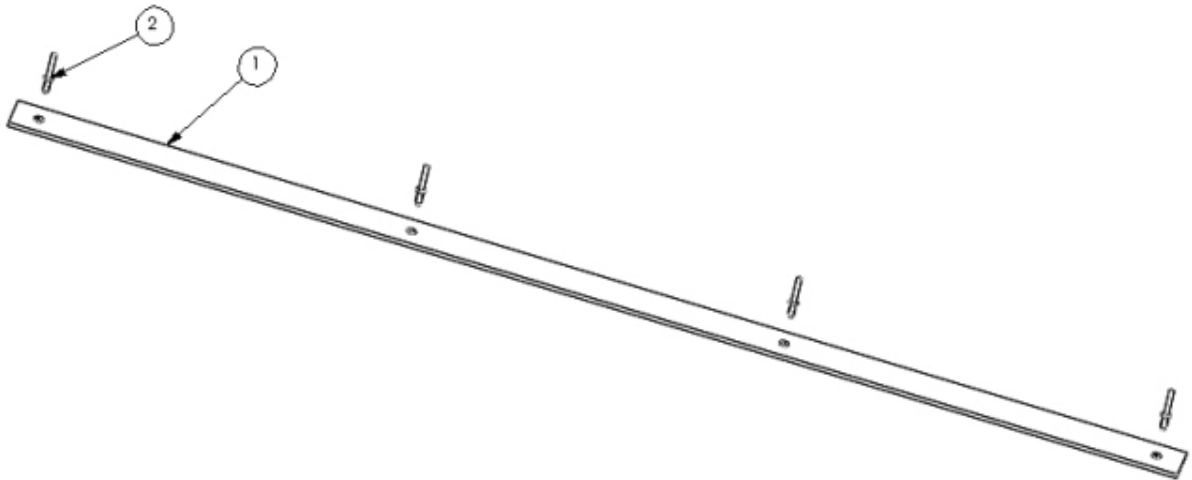
## LABEL KIT, 3434R & 4334R



### Label Kit, 3434R & 4334R , Part No. 05-26-1082

Item #	Part Description	Quantity
1	LABEL, LOAD CAPACITY, FDP	2
2	TAPE, REFLECTIVE, RED-WHITE, 1"W x 36"	2
3	LABEL, MAIN LOGO, RANDALL FDP3136	1

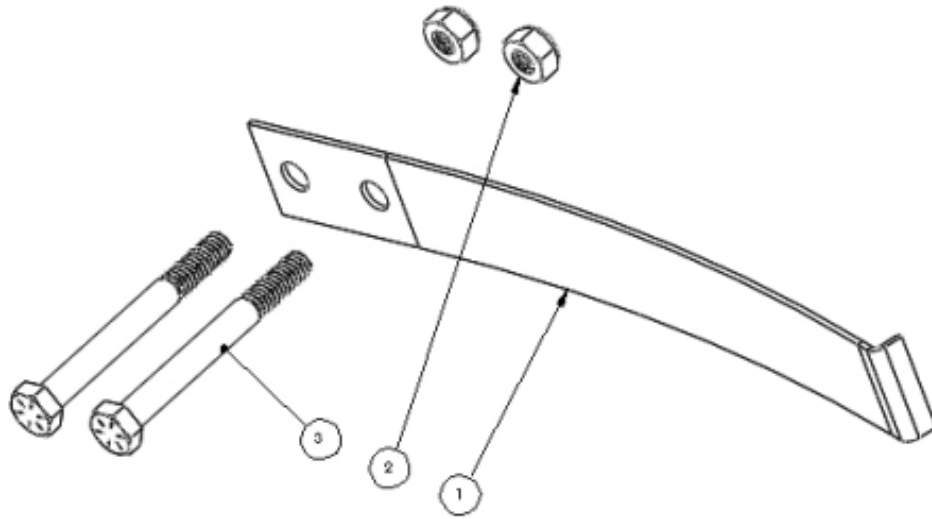
## SIDE STRIP



### Side Strip, Part No. 05-26-1035

Item #	Part Description	Quantity
1	SLIDE STRIP, SPLIT PLATFORM, UHMW	1
2	RIVET, BLIND, 5/32 DIA, 0.50 LG, SS	4

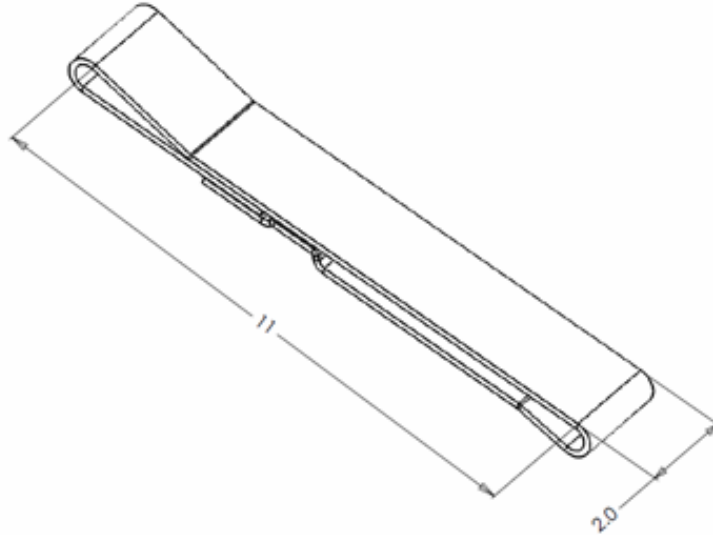
## SPRING KIT



### Spring Kit, Part No. 05-26-1032

Item #	Part Description	Quantity
1	SPRING, FLAT, 1" W, SS, FDP	1
2	THLNO, 1/4" -20, GB8, CAD	2
3	HHCS, 1/4" -20 X 2-1/2", GB8, PT, ZN	2

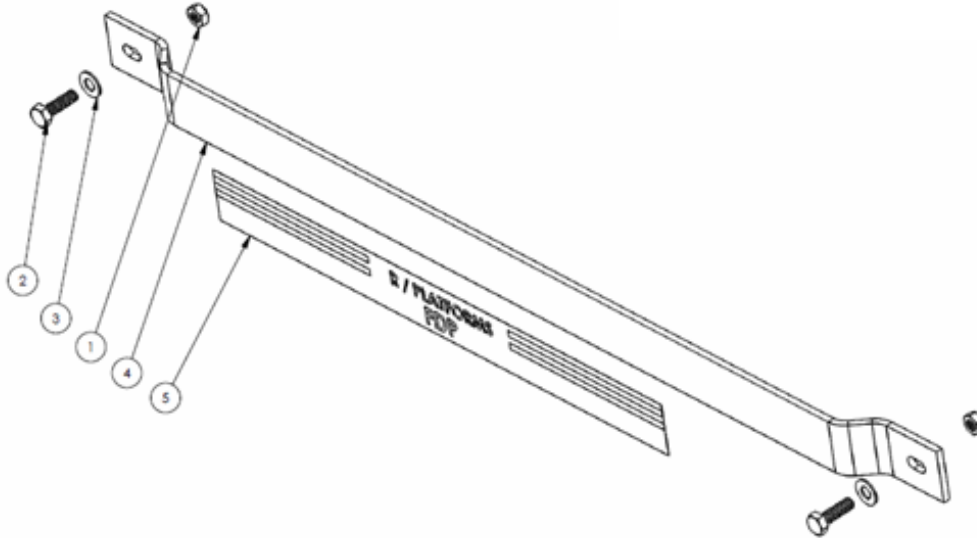
## PULL STRAP



### Pull Strap, Part No. 05-26-1034

Item #	Part Description	Quantity
1	PULL STRAP, FDP 3434	1

## STRAP BAR KIT, FOR LADDER ATTACHMENT

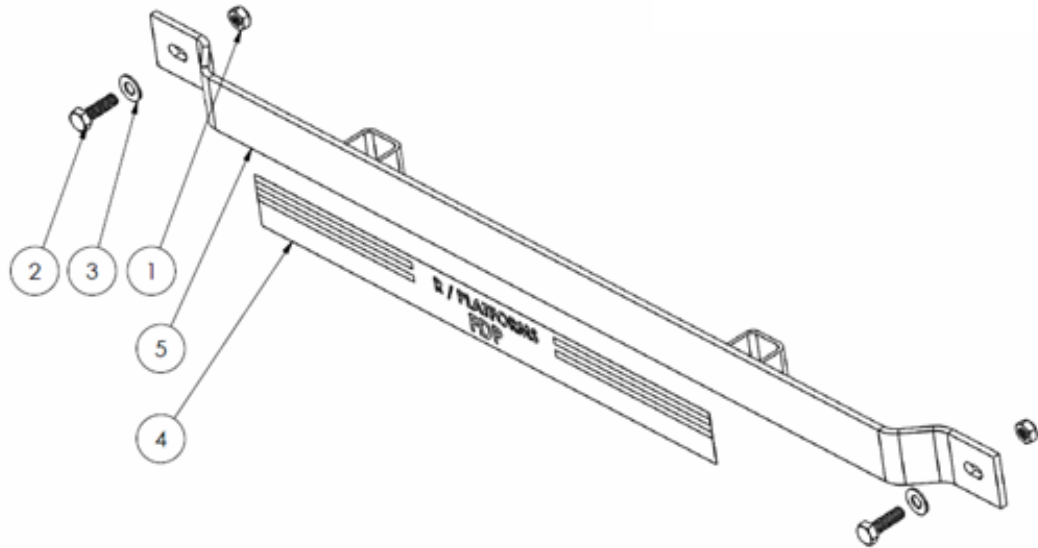


### Strap Bar Kit, For Ladder Attachment, Part No. 05-26-1033

Item #	Part Description	Quantity
1	HLNO, 5/16" -18, G8, CAD	2
2	HHCS, 5/16" -18 x 1", G8, CAD	2
3	WASHER 11/32 ID X 11/16 OD X .05 T, CAD	2
4	STRAP BAR, LADDER ATTACH, FDP 3434	1
5	LABEL, MAIN LOGO, RANDALL FDP	1



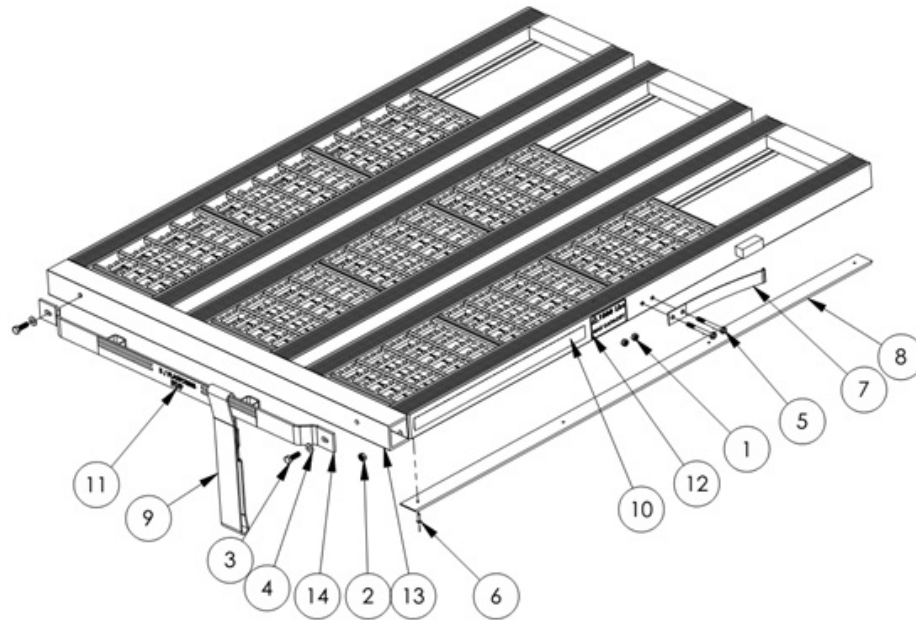
## STRAP BAR KIT, FOR LADDER & RAMP ATTACHMENT



### Strap Bar Kit, For Ladder & Ramp Attachment, Part No. 05-26-1041

Item #	Part Description	Quantity
1	HLNC, 3/8" - 16, G8, SS	1
2	BHCS, 3/8" - 16 x 7/8", SS	1
3	LOCK CLIP, LH, 3136 FDP, 430 SS	1

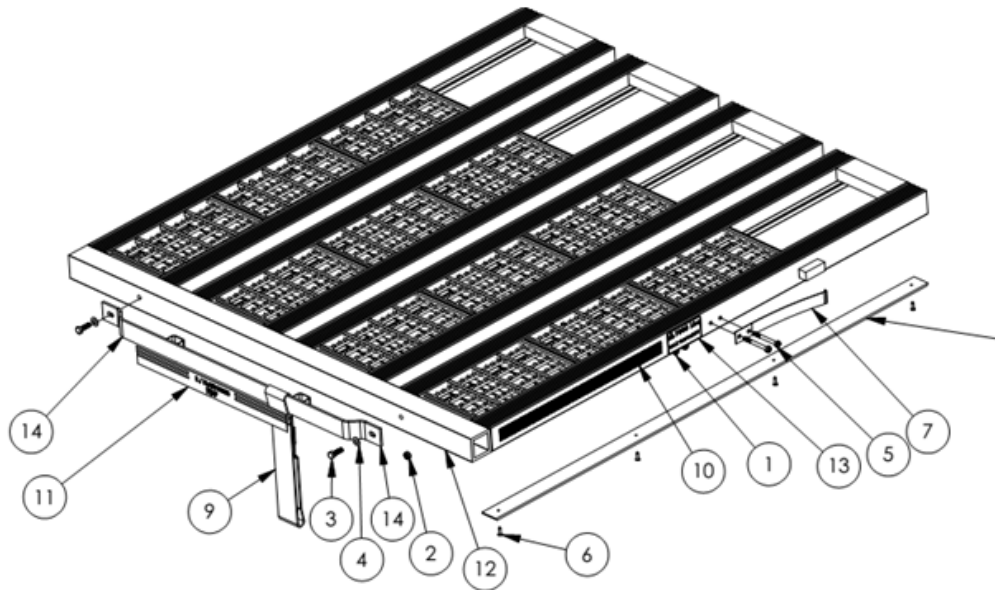
## COMPLETE FDP 3434R ASSEMBLY



### Split Platform Assy, FDP 3434R Part No. 02-26-1093

Item #	Part Description	Quantity
1	HLNO, 1/4"-20 , G8, CAD	2
2	HLNO, 5/16"-18, G8, CAD	2
3	HHCS, 5/16"-18 x 1", G8, CAD	2
4	WASHER 11/32 ID X 11/16 OD X .05 T, CAD	2
5	HHCS, 1/4"-20 x 2-1/2", G8, PT, ZN	2
6	RIVET, BLIND,5/32 DIA, 0.50 LG, SS	24
7	SPRING, FLAT, 1"W, SS, FDP	1
8	SLIDE STRIP, SPLIT PLATFORM, UHMW	6
9	PULL STRAP, FDP 3434 ASSY	1
10	TAPE, REFLECTIVE, RED-WHITE, 1"W x 17"	2
11	LABEL, MAIN LOGO, RANDALL FDP	1
12	LABEL, LOAD CAPACITY, FDP	2
13	SPLIT PLATFORM WELDMENT, 34-1/2" x 34-1/2"	1
14	STRAP BAR WELDMENT, RAMP ATTACH, 3434R FDP	1

## COMPLETE FDP 4334R ASSEMBLY



### Split Platform Assy, FDP 4334R Part No. 02-26-1094

Item #	Part Description	Quantity
1	HLNO, 1/4"-20 , G8, CAD	2
2	HLNO, 5/16"-18, G8, CAD	2
3	HHCS, 5/16"-18 x 1", G8, CAD	2
4	WASHER 11/32 ID X 11/16 OD X .05 T, CAD	2
5	HHCS, 1/4"-20 x 2-1/2", G8, PT, ZN	2
6	RIVET, BLIND,5/32 DIA, 0.50 LG, SS	32
7	SPRING, FLAT, 1"W, SS, FDP	1
8	SLIDE STRIP, SPLIT PLATFORM, UHMW	8
9	PULL STRAP, FDP 3434 ASSY	1
10	TAPE, REFLECTIVE, RED-WHITE, 1"W x 17"	2
11	LABEL, MAIN LOGO, RANDALL FDP	1
12	SPLIT PLATFORM WELDMENT, 43" x 34-1/2"	1
13	LABEL, LOAD CAPACITY, FDP	2
14	STRAP BAR WELDMENT, RAMP ATTACH, 3434R FDP	1