

# R•O•M ROADWARRIOR™ Ramp & Carrier Parts Manual



## Table of Contents

|   |          |
|---|----------|
| Serial Number Location .....                      | 4        |
| Label Kit, Roadwarrior Ramp .....                 | 5        |
| <b>ROADWARRIOR RAMP PARTS KITS DRAWING .....</b>  | <b>6</b> |
| Apron, Replacement Kit Standard .....             | 8        |
| Apron, Replacement Kit for Lift Assist (LA) ..... | 10       |
| Casting, Standard Kit .....                       | 12       |
| Casting, for Lift Assist (LA) Kit .....           | 13       |
| Casting, Transition Kit .....                     | 14       |
| Gas Spring Retrofit Kit .....                     | 15       |
| Grab Handle Replacement Kit .....                 | 17       |
| Hook Option Replacement Pin .....                 | 18       |
| Hook Support with Stop .....                      | 19       |
| Hook Support w/o Stop .....                       | 21       |
| Lift Assist Kit .....                             | 23       |
| Lift Assist Kit, with Apron (standard) .....      | 24       |
| Lift Assist Kit, w/o Apron (standard) .....       | 26       |
| Lift Assist Wheel Kit .....                       | 28       |
| Ramp Pin Replacement Kit .....                    | 29       |
| Roller Replacement Kit .....                      | 30       |

## **Table of Contents (Cont'd)**

Side Rail Kit, RoadwarrioR, Left Side w/ Labels ..... 31

Side Rail Kit, RoadwarrioR, Right Side w/ Labels ..... 32

Tie Rod with Spring Brackets ..... 33

Tie Rod Replacement Kit ..... 34

Transition Plate Assembly ..... 35

### **ROADWARRIOR CARRIER PARTS KITS DRAWING ..... 37**

Carrier Door Latch Kit ..... 38

Carrier Latch & Door Assembly ..... 39

Carrier Roller Replacement Kit ..... 40

Carrier Stop Kit (Standard) ..... 41

Carrier Stop Kit for Lift Assist (LA) ..... 42

Safety Chain Retrofit Kit ..... 43

### **CARRIER CONVERSION KITS**

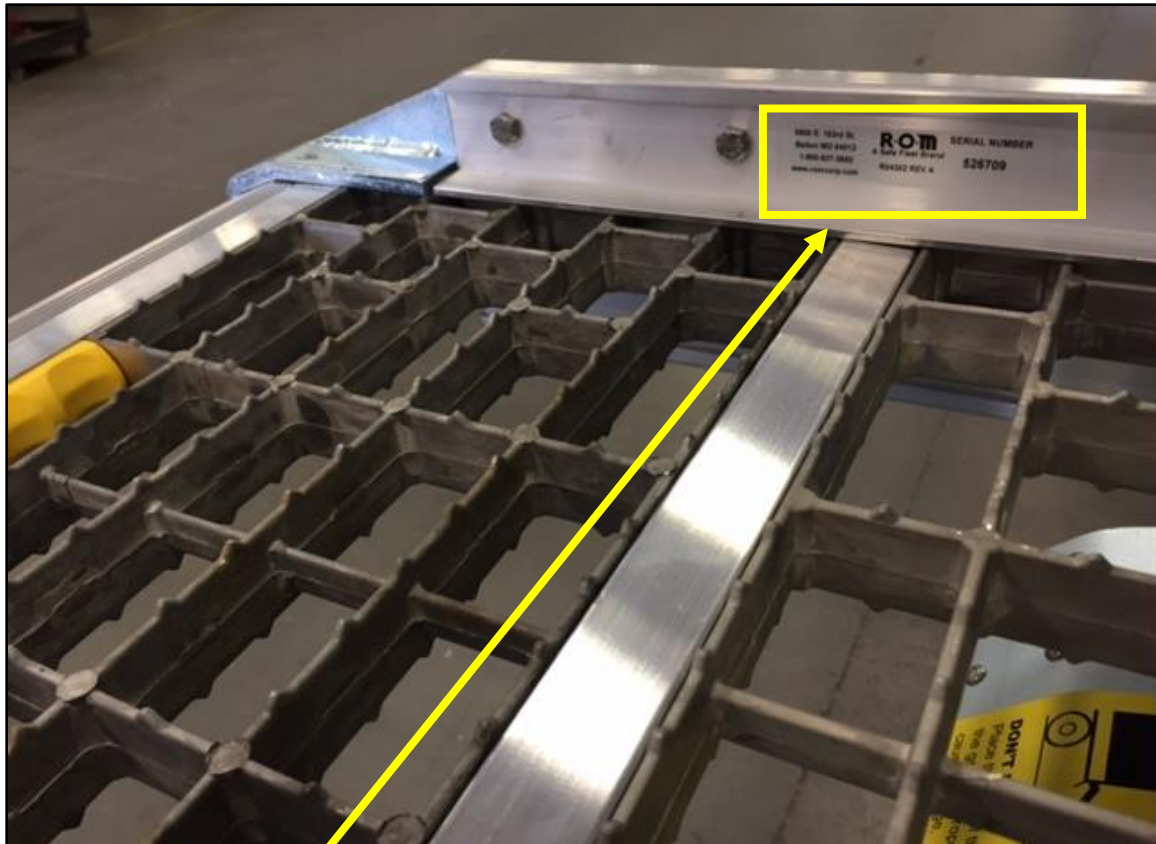
Carrier Conversion Kit for a Bustin Carrier  
to hold a RoadwarrioR Ramp ..... 44

Carrier Conversion Kit for a Bustin Carrier  
to hold a RoadwarrioR Ramp w/Lift Assist ..... 45

## Serial Number Location

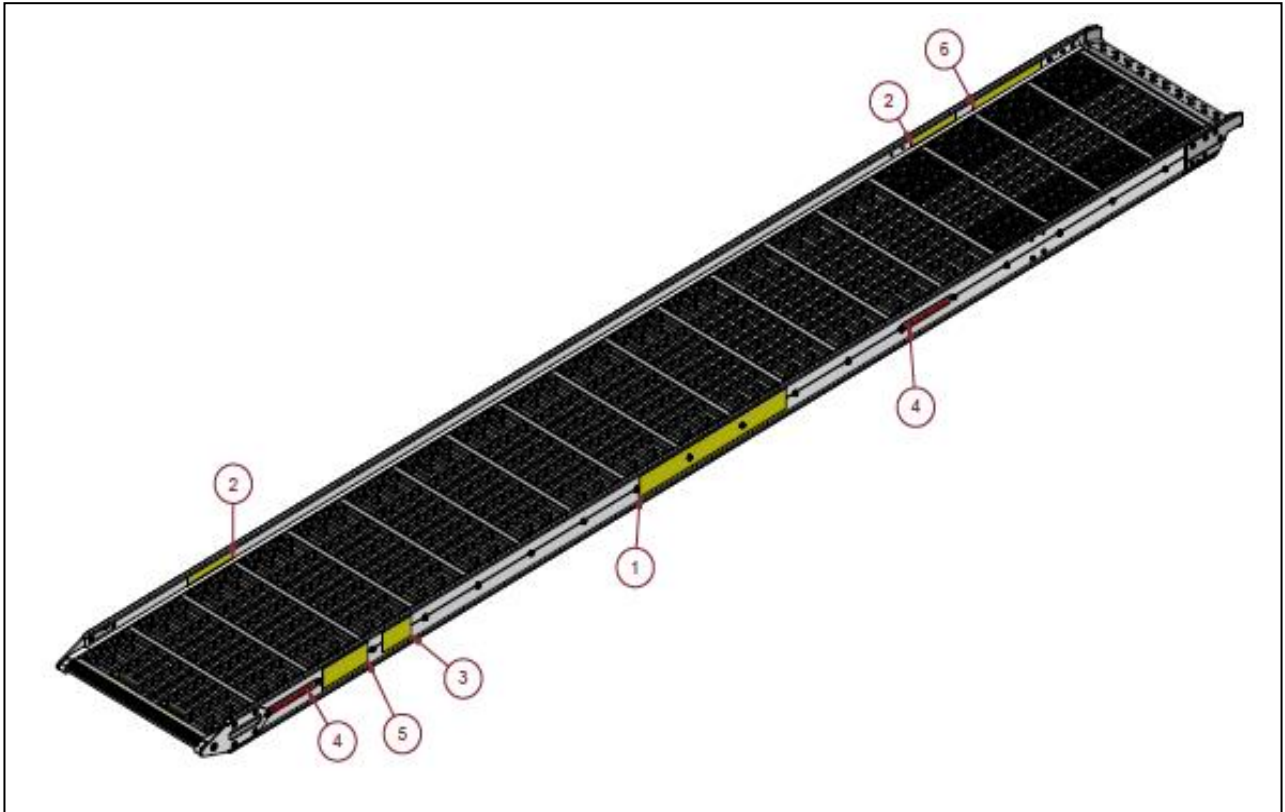
PLEASE NOTE:

Be sure to check the Serial Number before ordering parts.



Serial number located on the inside of the left rail

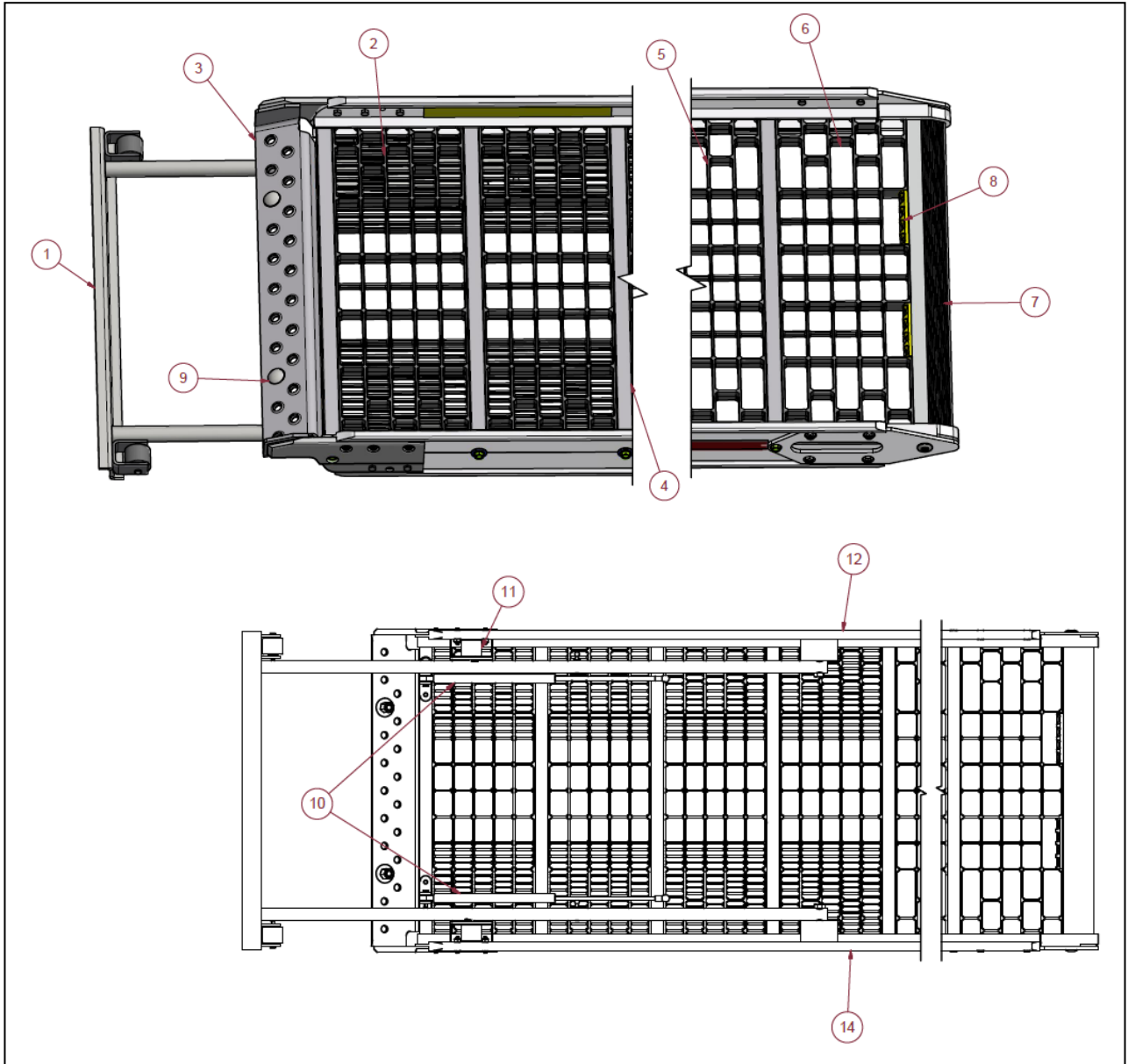
## RoadwarrioR™ Ramp Label Kit



RoadwarrioR Ramp Label Kit, Part No. R04303

| Item # | Part Description                  | Quantity |
|--------|-----------------------------------|----------|
| 1      | LABEL, ROADWARRIOR                | 2        |
| 2      | LABEL CAUTION WATCH STEP          | 4        |
| 3      | LABEL DO NOT DROP RAMP            | 2        |
| 4      | TAPE REFLECTIVE RED               | 4        |
| 5      | LABEL WARNING RAMP SAFETY CHECK   | 2        |
| 6      | LABEL, CAUTION DO NOT REACH UNDER | 2        |

# Roadwarrior™ Ramp Parts Kits



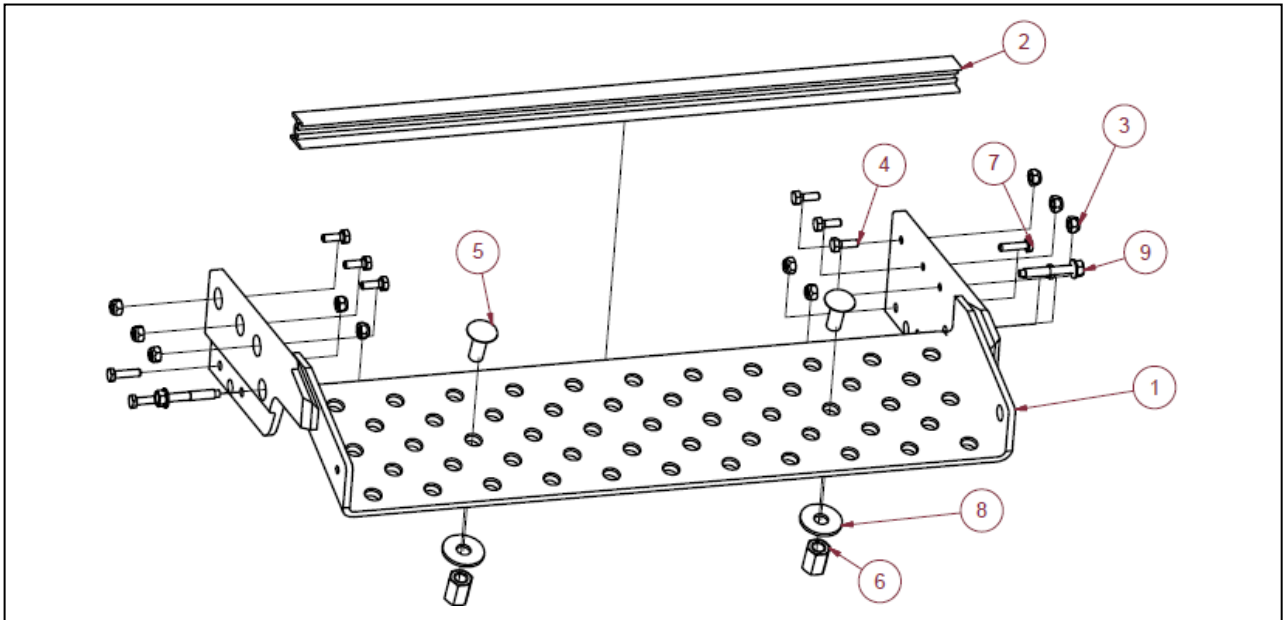
## Roadwarrior Ramp Parts Kits

| Item # | Part Description                  | Page # |
|--------|-----------------------------------|--------|
| 1      | LIFT ASSIST KITS                  | 23-28  |
| 2      | CASTING, FOR LIFT ASSIST (LA) KIT | 13     |
| 3      | APRON, REPLACEMENT KIT            | 8-11   |

## Roadwarrior™ Ramp Parts Kits (cont'd)

| Item #    | Part Description            | Page # |
|-----------|-----------------------------|--------|
| 4 & 8     | TIE ROD KIT                 | 33-34  |
| 5         | CASTING, STANDARD KIT       | 12     |
| 6         | CASTING, TRANSITION KIT     | 14     |
| 7         | TRANSITION PLATE ASSEMBLY   | 35     |
| 8         | GRAB HANDLE REPLACEMENT KIT | 17     |
| 9         | RAMP PIN REPLACEMENT KIT    | 29     |
| 10        | GAS SPRING RETROFIT KIT     | 15     |
| 11        | ROLLER REPLACEMENT KIT      | 30     |
| 12        | SIDE RAIL KITS              | 31-32  |
| not shown | HOOK OPTION REPLACEMENT PIN | 18     |
| not shown | HOOK SUPPORT KITS           | 19-22  |

## Apron, Replacement Kit, Standard



### Apron, Replacement Kit, Standard

| Ramp Width | Kit Part No. |
|------------|--------------|
| 25-7/8"    | R00100       |
| 24-7/8"    | R00101       |
| 23-7/8"    | R00102       |
| 22-7/8"    | R00103       |
| 21-7/8"    | R00104       |

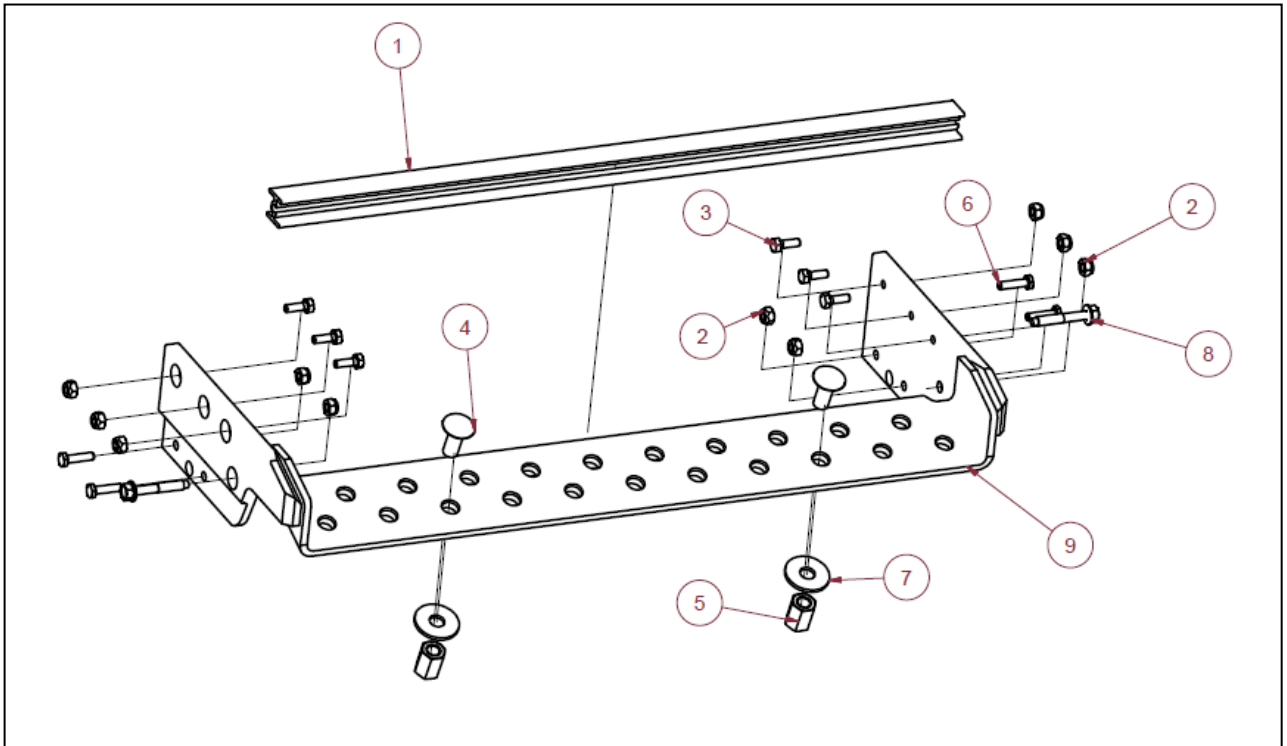
| Item # | Part Description                   | Quantity |
|--------|------------------------------------|----------|
| 1      | APRON WELDMENT 6-5/8" x RAMP WIDTH | 1        |
| 2      | TIE ROD                            | 1        |
| 3      | 1/4"-20 NYLON INSERT STOP NUT SS   | 10       |
| 4      | 1/4"-20 X 3/4" HEX HD CAP SCREW SS | 6        |



## Apron, Replacement Kit, Standard (cont'd)

| Item # | Part Description   | Quantity |
|--------|--|----------|
| 5      | 1/2"-13 X 1-1/4" ZP CARRIAGE BOLT  | 2        |
| 6      | 1/2"-13 X 1" THIN WALL COUPLER NUT ZP                                      | 2        |
| 7      | 1/4"-20 X 1" GR5 HEX HD CAP SCREW ZP                                       | 4        |
| 8      | WASHER CONICAL 115 THK .515" ID 1.5" OD                                    | 2        |
| 9      | TIE ROD SCREW  | 2        |
|        | COTTER CIRCLE 5/8" SS (not shown)  | 2        |
|        | FM-8.5-43 - ROADWARRIOR RAMP APRON<br>REPLACEMENT INSTRUCTIONS (not shown) | 1        |

## Apron, Replacement Kit for Lift Assist (LA)



### Apron, Replacement Kit for Lift Assist (LA)

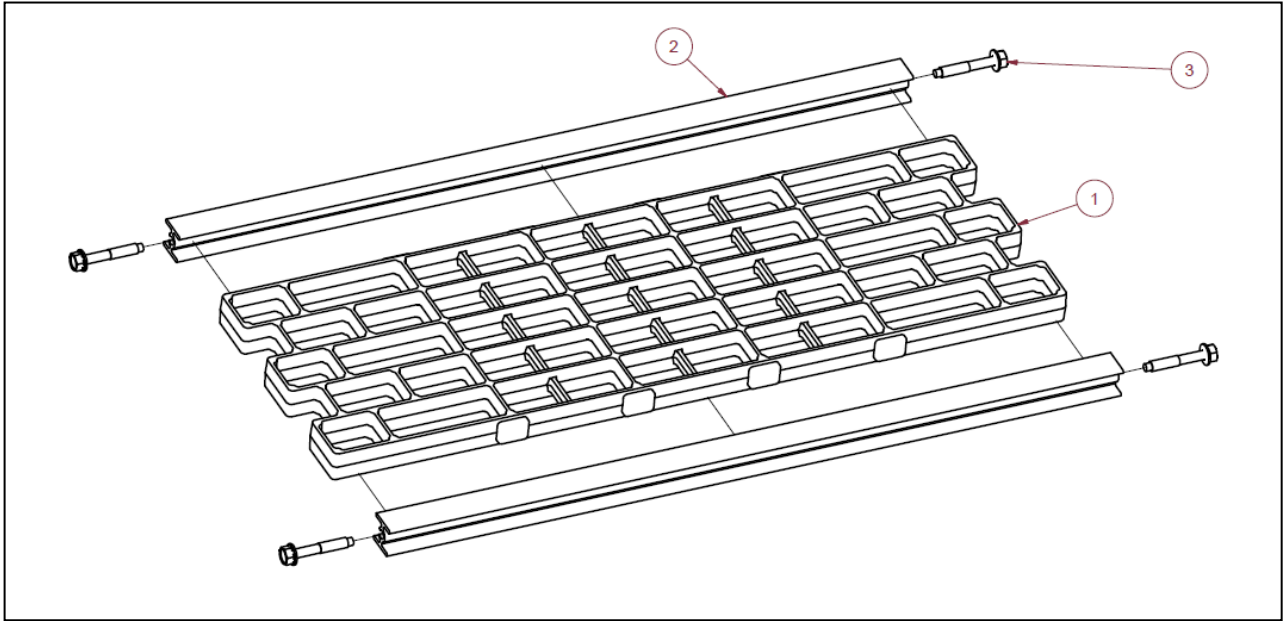
| Ramp Width | Kit Part No. |
|------------|--------------|
| 25-7/8"    | R00457       |
| 24-7/8"    | R00458       |
| 23-7/8"    | R00459       |
| 22-7/8"    | R00460       |
| 21-7/8"    | R00461       |

| Item # | Part Description                      | Quantity |
|--------|---------------------------------------|----------|
| 1      | SPRING BRACKET W/ TIE ROD LIFT ASSIST | 1        |
| 2      | 1/4"-20 NYLON INSERT STOP NUT SS      | 10       |

## Apron, Replacement Kit, for Lift Assist (cont'd)

| Item # | Part Description  | Quantity |
|--------|---|----------|
| 3      | 1/4"-20 X 3/4" HEX HD CAP SCREW SS                                      | 6        |
| 4      | 1/2"-13 X 1-1/4" ZP CARRIAGE BOLT                                       | 2        |
| 5      | 1/2"-13 X 1 THIN WALL COUPLER NUT ZP                                    | 2        |
| 6      | 1/4"-20 X 1 GR5 HEX HD CAP SCREW ZP                                     | 4        |
| 7      | WASHER CONICAL 115 THK .515" ID 1.5" OD                                 | 2        |
| 8      | TIE ROD SCREW   | 2        |
| 9      | LA APRON ASSEMBLY 3-5/8" X RAMP OD                                      | 1        |
|        | COTTER CIRCLE 5/8" SS (not shown)                                       | 2        |
|        | FM-8.5-43 - ROADWARRIOR RAMP APRON REPLACEMENT INSTRUCTIONS (not shown) | 1        |

## Casting, Standard Kit

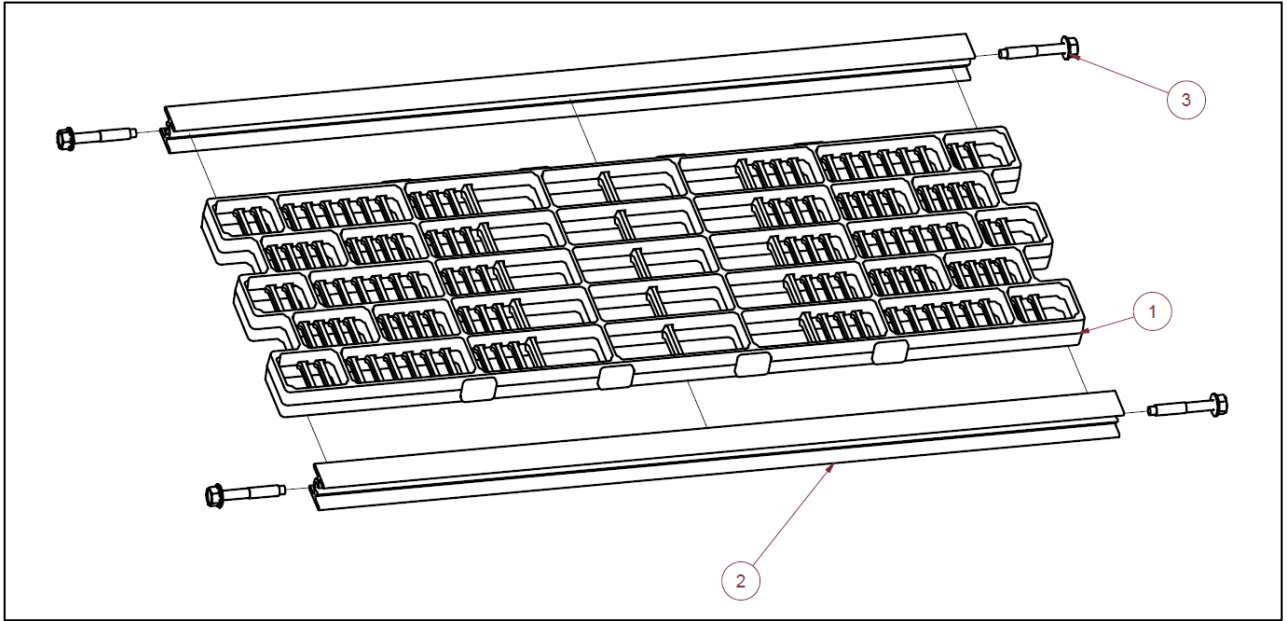


### Casting, Standard Kit

| Ramp Width | Kit Part No. |
|------------|--------------|
| 25-7/8"    | R04271       |
| 24-7/8"    | R04271-1     |
| 23-7/8"    | R04271-2     |
| 22-7/8"    | R04271-3     |
| 21-7/8"    | R04271-4     |

| Item # | Part Description       | Quantity |
|--------|------------------------|----------|
| 1      | RAMP CASTING, MAG RAMP | 1        |
| 2      | TIE ROD                | 2        |
| 3      | TIE ROD SCREW          | 4        |

## Casting, for Lift Assist (LA) Kit

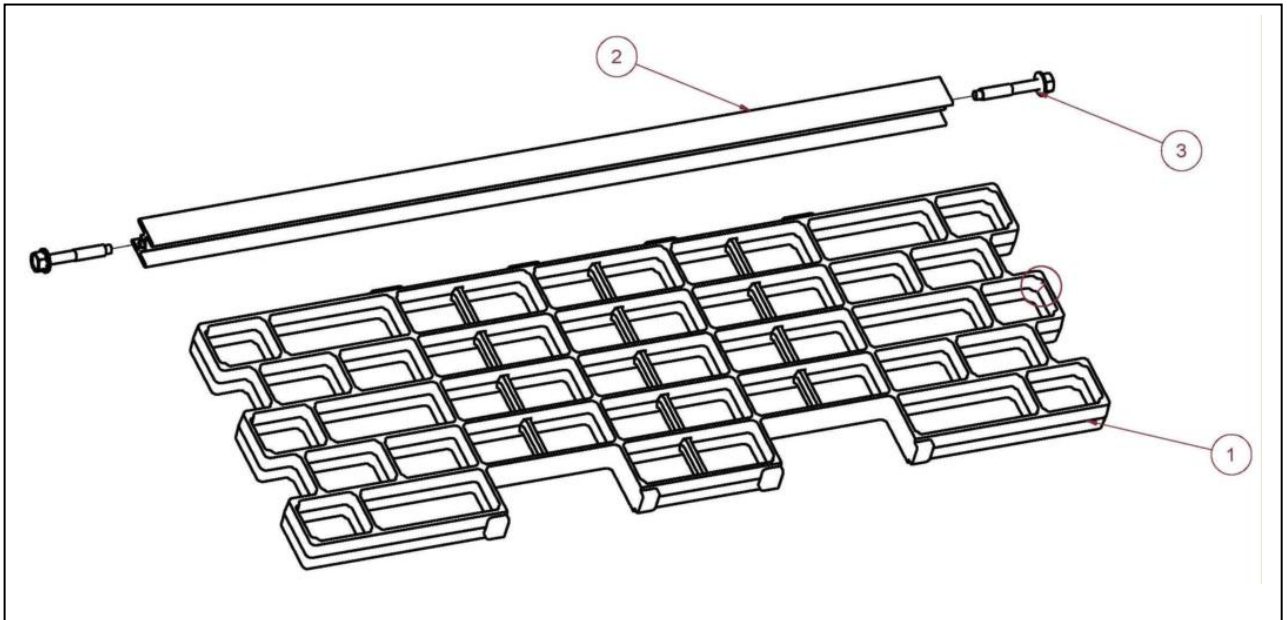


### Casting, for Lift Assist (LA) Kit

| Ramp Width | Kit Part No. |
|------------|--------------|
| 25-7/8"    | R04272       |
| 24-7/8"    | R04272-1     |
| 23-7/8"    | R04272-2     |
| 22-7/8"    | R04272-3     |
| 21-7/8"    | R04272-4     |

| Item # | Part Description                        | Quantity |
|--------|---|----------|
| 1      | RAMP CASTING WITH GUARD MAG AZ91D ALLOY | 1        |
| 2      | TIE ROD                                 | 2        |
| 3      | TIE ROD SCREW                           | 4        |

## Casting, Transition Kit

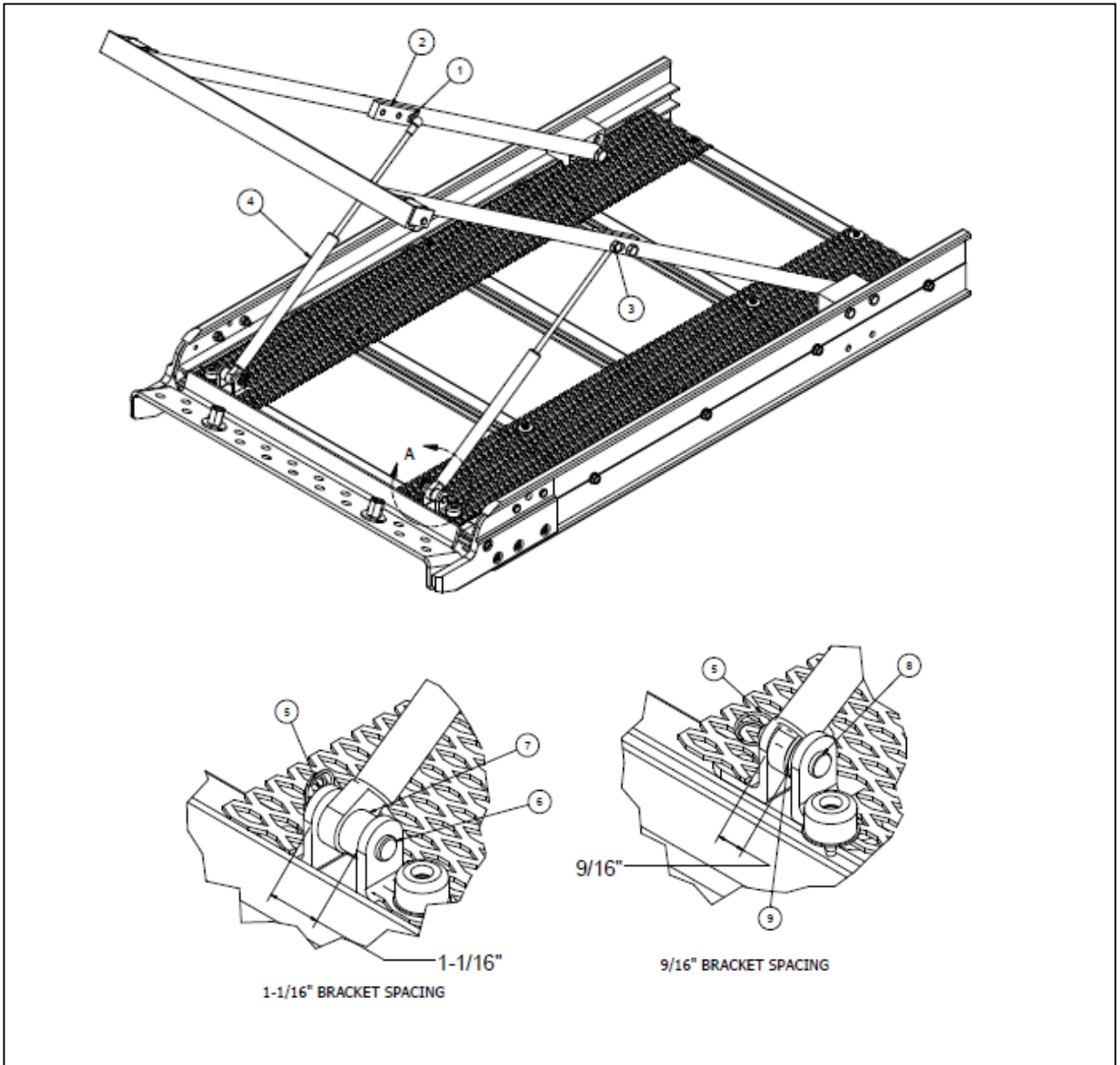


### Casting, Transition Kit

| Ramp Width | Kit Part No. |
|------------|--------------|
| 25-7/8"    | R04270       |
| 24-7/8"    | R04270-1     |
| 23-7/8"    | R04270-2     |
| 22-7/8"    | R04270-3     |
| 21-7/8"    | R04270-4     |

| Item # | Part Description         | Quantity |
|--------|--------------------------|----------|
| 1      | TRANSITION PLATE CASTING | 1        |
| 2      | TIE ROD                  | 1        |
| 3      | TIE ROD SCREW            | 2        |

## Gas Spring Retrofit Kit



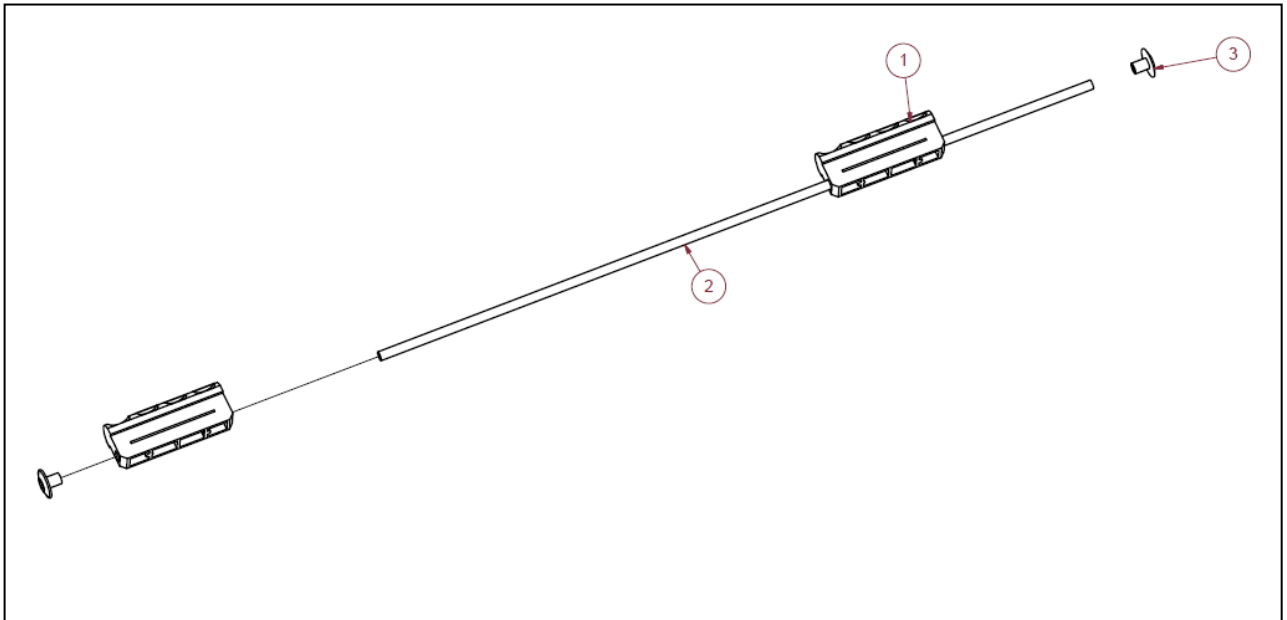
Gas Spring Retrofit Kit, Part No. R01147-3

| Item # | Part Description                      | Quantity |
|--------|---------------------------------------|----------|
| 1      | BALL STUD 10MM                        | 2        |
| 2      | ADAPTOR PLATE, GAS SPRING LIFT ASSIST | 2        |

| Item # | Part Description                            | Quantity |
|--------|---|----------|
| 3      | 7/16"-14 X 1-1/2" HEX HD SCREW, GR2, ZP     | 4        |
| 4      | SPRING GAS WITH ENDS 10' 12' 14' & 16' RAMP | 2        |
| 5      | COTTER CIRCLE 5/8" SS                       | 2        |
| 6      | CLEVIS PIN 5/16" X 1-3/4" ZP                | 2        |
| 7      | SPACER LDPE .325" IDX.75" ODX.5" LG.        | 2        |
| 8      | CLEVIS PIN 5/16" X 1-1/4" ZP                | 2        |
| 9      | WASHER 5/16" USS FLAT ZP                    | 2        |



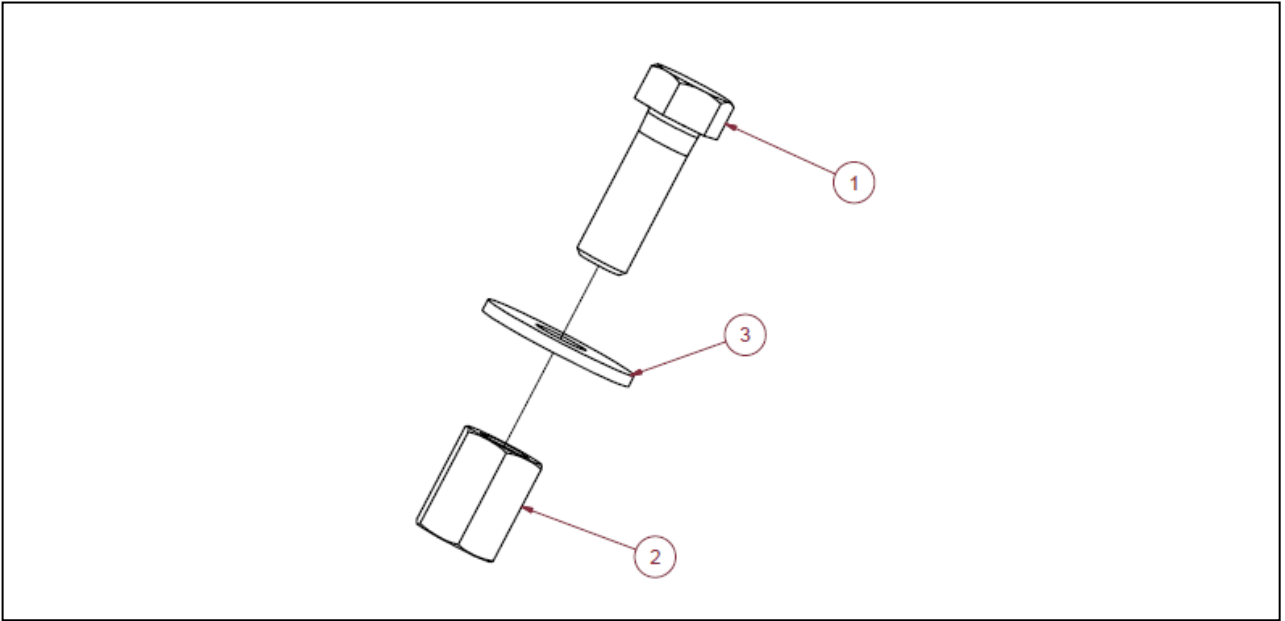
## Grab Handle Replacement Kit



Grab Handle Replacement Kit, Part No. R04277

| Item # | Part Description                       | Quantity |
|--------|--|----------|
| 1      | HANDLE NYLON 6 - ROADWARRIOR           | 2        |
| 1      | ALLTHREAD 5/16"-18 X 25-5/8" LONG ZP   | 1        |
| 2      | CAMTAINER NUT 5/16"-18 X 1/2" TORX #55 | 2        |

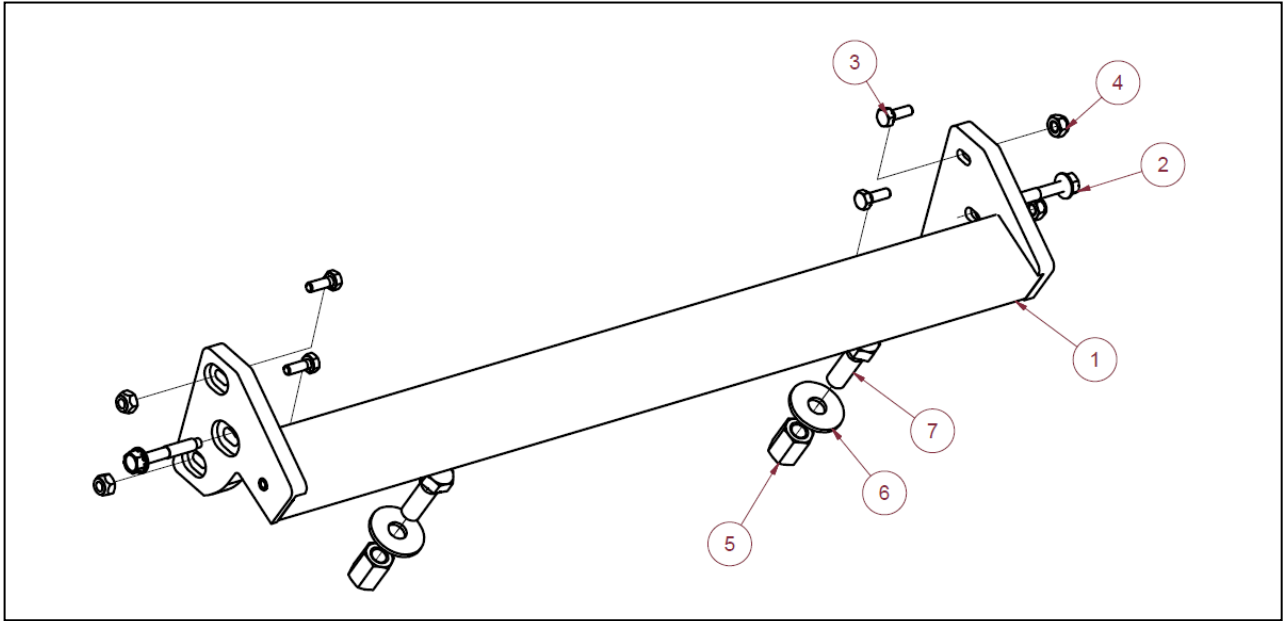
## Hook Option Replacement Pin



Hook Option Replacement Pin, Part No. R04278

| Item # | Part Description                         | Quantity |
|--------|--|----------|
| 1      | 1/2"-13 X 1-1/2" HEX HD CAP SCREW GR8 ZP | 1        |
| 2      | 1/2"-13 X 1" THIN WALL COUPLER NUT ZP    | 1        |
| 3      | WASHER CONICAL 115 THK .515" ID 1.5" OD  | 1        |

## Hook Support with Stop



### Hook Support with Stop

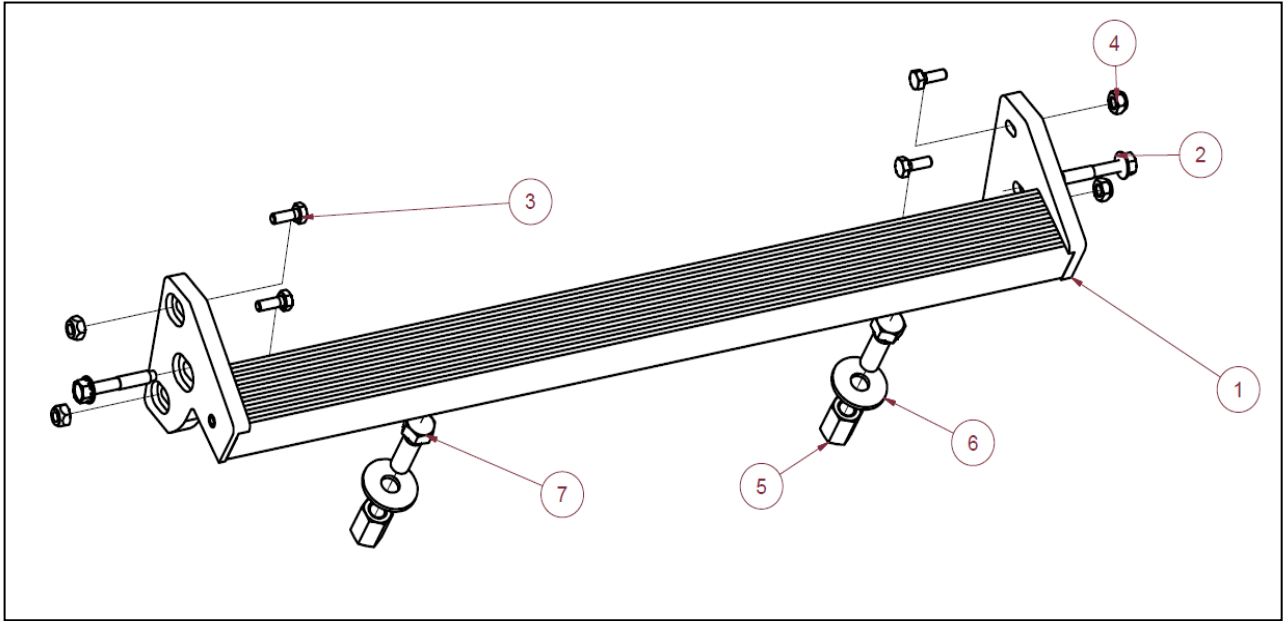
| Ramp Width | Kit Part No. |
|------------|--------------|
| 25-7/8"    | R04275       |
| 24-7/8"    | R04275-1     |
| 23-7/8"    | R04275-2     |
| 22-7/8"    | R04275-3     |
| 21-7/8"    | R04275-4     |

| Item # | Part Description                   | Quantity |
|--------|------------------------------------|----------|
| 1      | HOOK SUPPORT WITH STOP             | 1        |
| 2      | TIE ROD SCREW                      | 2        |
| 3      | 1/4"-20 X 3/4" HEX HD CAP SCREW SS | 4        |

## Hook Support with Stop (cont'd)

| Item # | Part Description                         | Quantity |
|--------|--|----------|
| 4      | 1/4"-20 NYLON INSERT STOP NUT SS         | 4        |
| 5      | 1/2"-13 X 1 THIN WALL COUPLER NUT ZP     | 2        |
| 6      | WASHER CONICAL 115 THK .515" ID 1.5" OD  | 1        |
| 7      | 1/2"-13 X 1-1/2" HEX HD CAP SCREW GR8 ZP | 2        |

## Hook Support w/o Stop



### Hook Support w/o Stop

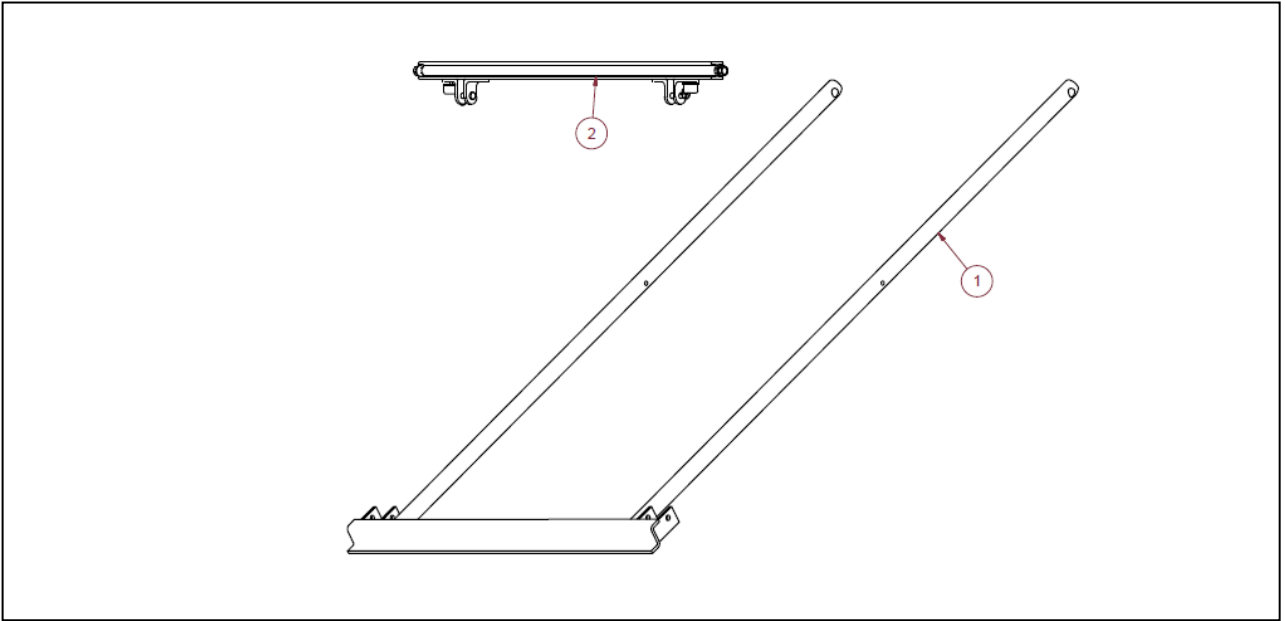
| Ramp Width | Kit Part No. |
|------------|--------------|
| 25-7/8"    | R04276       |
| 24-7/8"    | R04276-1     |
| 23-7/8"    | R04276-2     |
| 22-7/8"    | R04276-3     |
| 21-7/8"    | R04276-4     |

| Item # | Part Description                   | Quantity |
|--------|------------------------------------|----------|
| 1      | HOOK SUPPORT W/O STOP              | 1        |
| 2      | TIE ROD SCREW                      | 2        |
| 3      | 1/4"-20 X 3/4" HEX HD CAP SCREW SS | 4        |

## Hook Support w/o Stop (cont'd)

| Item # | Part Description                         | Quantity |
|--------|--|----------|
| 4      | 1/4"-20 NYLON INSERT STOP NUT SS         | 4        |
| 5      | 1/2"-13 X 1 THIN WALL COUPLER NUT ZP     | 2        |
| 6      | WASHER CONICAL 115 THK .515" ID 1.5" OD  | 1        |
| 7      | 1/2"-13 X 1-1/2" HEX HD CAP SCREW GR8 ZP | 2        |

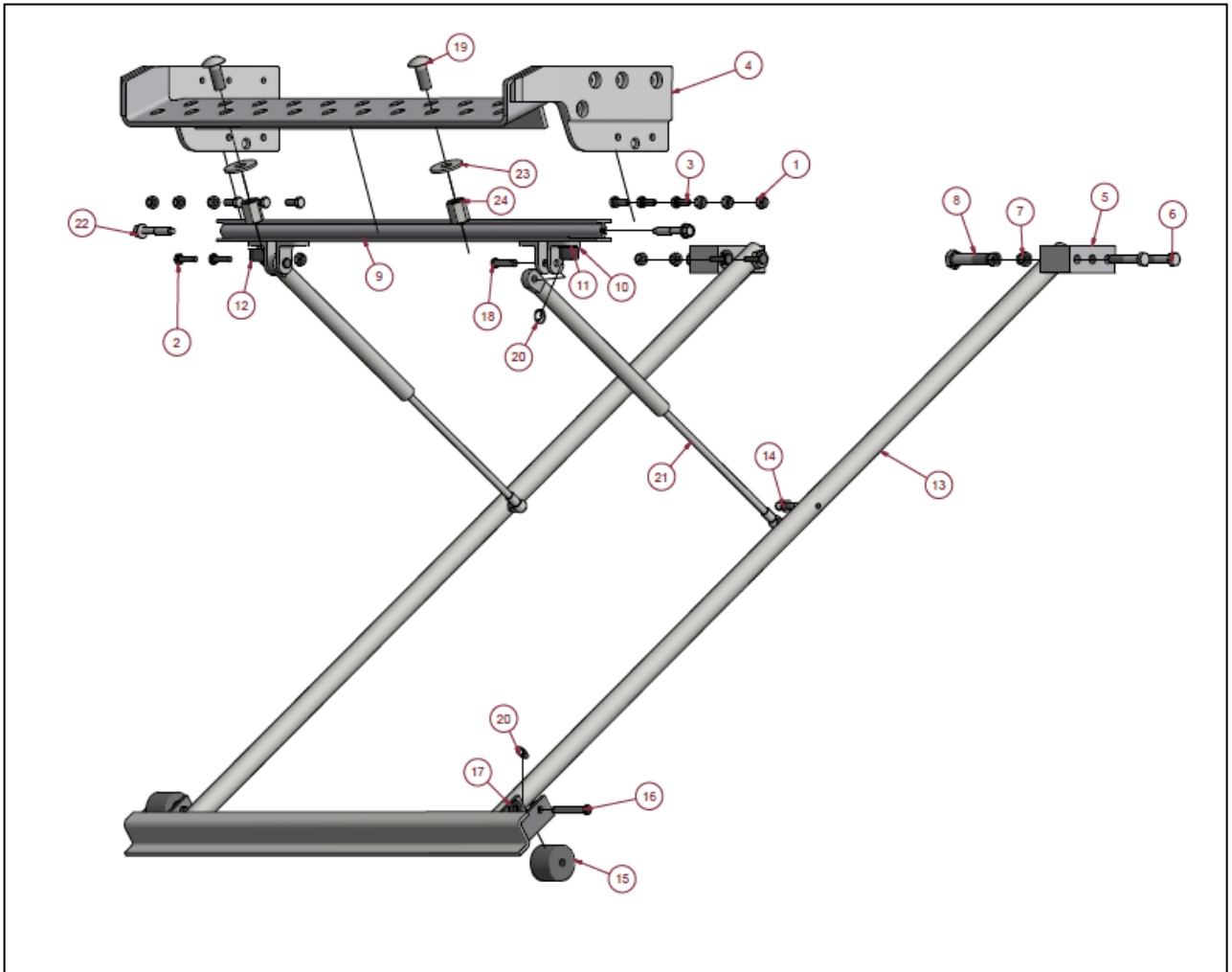
## Lift Assist 25-7/8" OD



Lift Assist 25-7/8" OD, Part No. R04312

| Item # | Part Description                 | Quantity |
|--------|----------------------------------|----------|
| 1      | TROLLEY FRAME                    | 1        |
| 2      | SPRING BRACKET TIE ROD W/ BUMPER | 1        |

## Lift Assist Kit, Std. with Apron



Lift Assist Kit, Std. with Apron, Part No. R01147-1

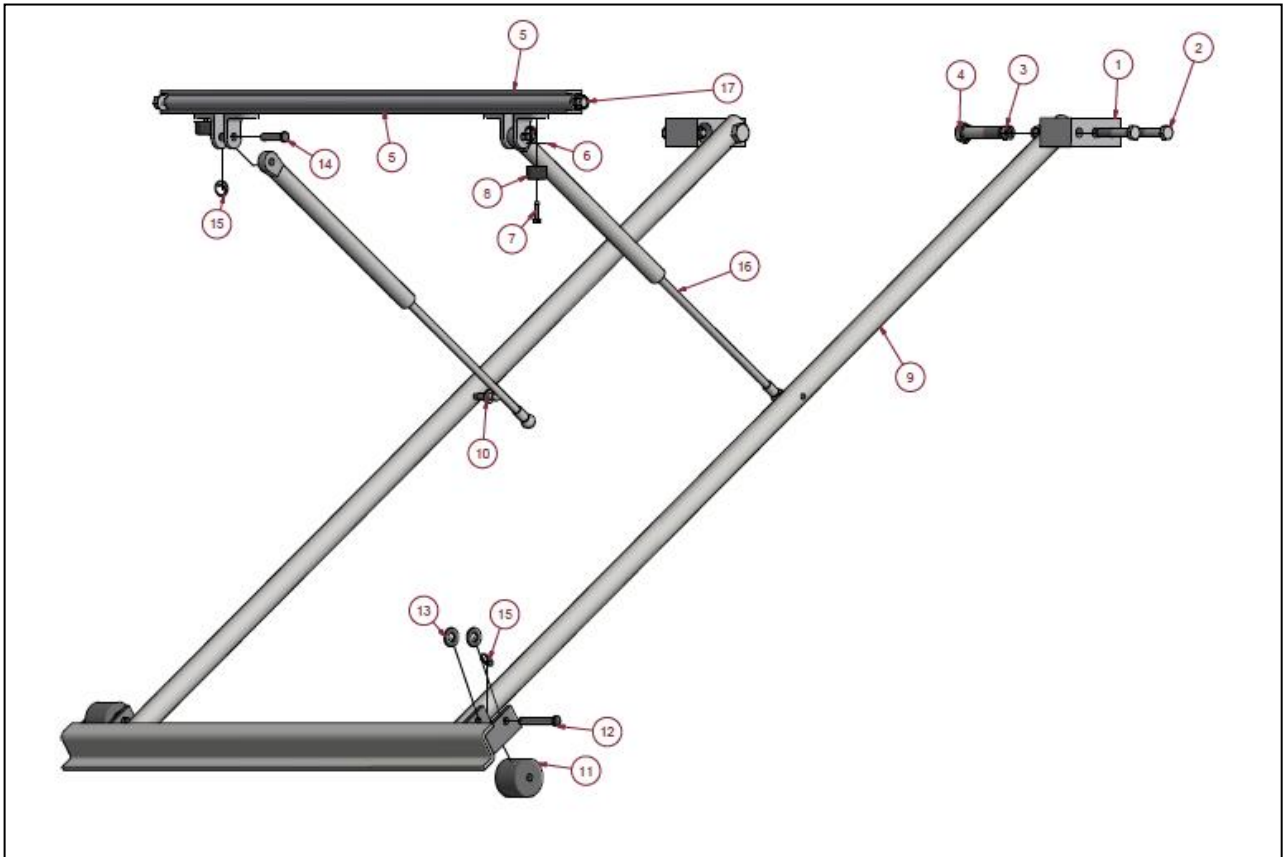
| Item # | Part Description                                   | Quantity |
|--------|--|----------|
| 1      | 1/4"-20 NYLON INSERT STOP NUT SS                   | 10       |
| 2      | 1/4"-20 X 1 GR5 HEX HD CAP SCREW ZP                | 4        |
| 3      | 1/4"-20 X 3/4" HEX HD CAP SCREW SS                 | 6        |
| 4      | LA APRON ASSEMBLY 3-5/8' X 25-1/8" RAMP OD 25-7/8' | 1        |
| 5      | MOUNTING BLOCK LA - RW                             | 2        |



## Lift Assist Kit, Std. with Apron (cont'd)

| Item # | Part Description                            | Quantity |
|--------|---|----------|
| 6      | 3/8"-16 X 2 HEX HD CAP SCREW GR5 ZP         | 4        |
| 7      | 3/8"-16 LOCK W/NYLON INSERT NUT SS          | 4        |
| 8      | 1/2"-12 X 2-1/2" HEX HD CAP SCREW GR8 ZP    | 2        |
| 9      | TIE ROD W/ SPRING BRACKET 24-3/4" W         | 1        |
| 10     | WASHER FLAT 3/16" X 1" 18-8 SS              | 2        |
| 11     | SCREW SLF DRL SS HEX HD 10-16 x 3/4"        | 2        |
| 12     | BUMPER 7/8" OD X 17/32" HIGH W/HOLE         | 2        |
| 13     | TROLLEY FRAME - RAMP OD 25-7/8"             | 1        |
| 14     | BALL STUD 10MM                              | 2        |
| 15     | ROLLER 1-5/8" OD UHMW BLK - RW              | 2        |
| 16     | CLEVIS PIN 5/16" X 2-1/8" ZP                | 2        |
| 17     | WASHER FLAT 3/8" X 7/8" 18-8 SS             | 4        |
| 18     | CLEVIS PIN 5/16" X 1-1/4" ZP                | 2        |
| 19     | 1/2"-13 X 1-1/4" ZP CARRIAGE BOLT           | 2        |
| 20     | COTTER CIRCLE 5/8" SS                       | 4        |
| 21     | SPRING GAS WITH ENDS 10' 12' 14' & 16' RAMP | 2        |
| 22     | TIE ROD SCREW                               | 2        |
| 23     | WASHER CONICAL 115 THK .515" ID 1.5" OD     | 2        |
| 24     | 1/2"-13 X 1" THIN WALL COUPLER NUT ZP       | 2        |

## Lift Assist Kit, Std. w/o Apron



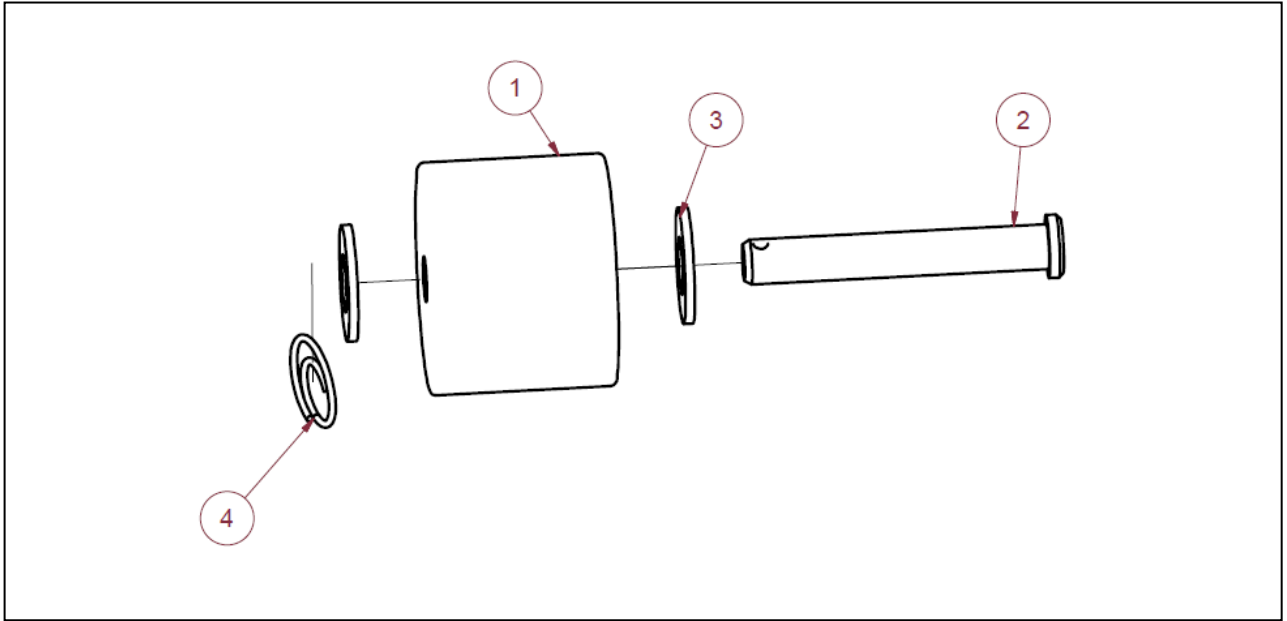
Lift Assist Kit, Std. w/o Apron, Part No. R01147-2

| Item # | Part Description                         | Quantity |
|--------|--|----------|
| 1      | MOUNTING BLOCK LA - RW                   | 2        |
| 2      | 3/8"-16 X 2 HEX HD CAP SCREW GR5 ZP      | 4        |
| 3      | 3/8"-16 LOCK W/NYLON INSERT NUT SS       | 4        |
| 4      | 1/2"-12 X 2-1/2" HEX HD CAP SCREW GR8 ZP | 2        |
| 5      | TIE ROD W/ SPRING BRACKET 24-3/4" W      | 1        |
| 6      | WASHER FLAT 3/16" X 1" 18-8 SS           | 2        |
| 7      | SCREW SLFDRL SS HEX HD 10-16 x 3/4"      | 2        |
| 8      | BUMPER 7/8" OD X 17/32" HIGH W/HOLE      | 2        |

**Lift Assist Kit, Std. w/o Apron** (cont'd)

| Item # | Part Description                            | Quantity |
|--------|---|----------|
| 9      | TROLLEY FRAME - RAMP OD 25-7/8"             | 1        |
| 10     | BALL STUD 10MM                              | 2        |
| 11     | ROLLER 1-5/8" OD UHMW BLK - RW              | 2        |
| 15     | COTTER CIRCLE 5/8" SS                       | 4        |
| 16     | SPRING GAS WITH ENDS 10' 12' 14' & 16' RAMP | 2        |
| 17     | TIE ROD SCREW                               | 2        |

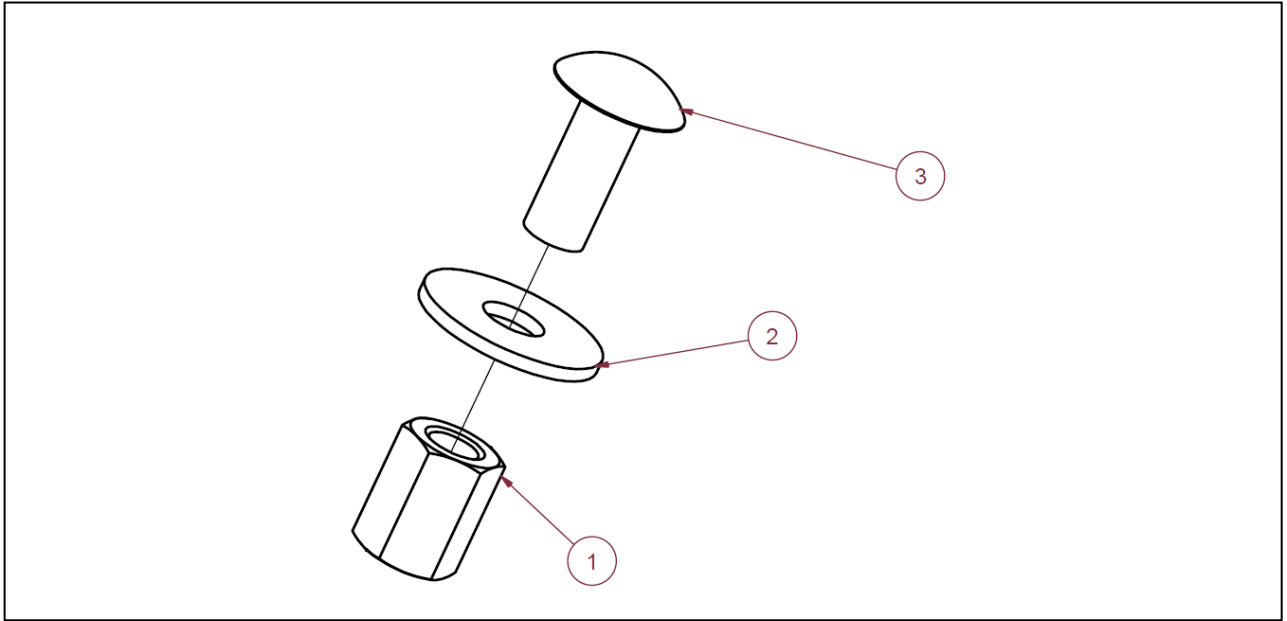
## Lift Assist Wheel Kit



Lift Assist Wheel Kit, Part No. R04284

| Item # | Part Description                  | Quantity |
|--------|-----------------------------------|----------|
| 1      | ROLLER RW & LA 1-5/8" OD UHMW BLK | 1        |
| 2      | CLEVIS PIN 5/16" X 2-1/8" ZP      | 1        |
| 3      | WASHER 3/8" X 7/8" 18-8 FLT SS    | 2        |
| 4      | COTTER CIRCLE 5/8" SS             | 1        |

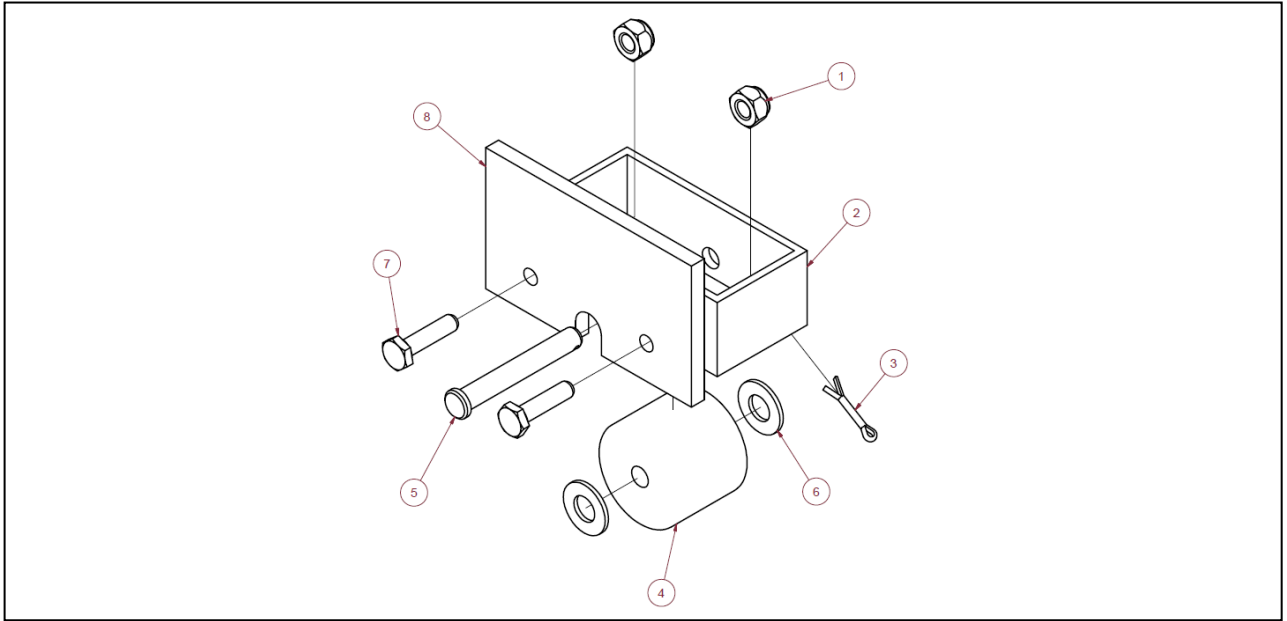
## Ramp Pin Replacement Kit



Ramp Pin Replacement Kit, Part No. R04279

| Item # | Part Description                        | Quantity |
|--------|---|----------|
| 1      | 1/2"-13 X 1 THIN WALL COUPLER NUT ZP    | 1        |
| 2      | WASHER CONICAL 115 THK .515" ID 1.5" OD | 1        |
| 3      | CARRIAGE BOLT 1/2"-13 X 1-1/4" ZP       | 1        |

## Roller Replacement Kit



Roller Replacement Kit, Part No. R04280

| Item # | Part Description                    | Quantity |
|--------|-------------------------------------|----------|
| 1      | 1/4"-20 NYLON INSERT STOP NUT SS    | 2        |
| 2      | ROLLER HOUSING                      | 1        |
| 3      | COTTER PIN 1/8" X 3/4" SS           | 1        |
| 4      | ROLLER RW & LA 1-5/8" OD UHMW BLK   | 1        |
| 5      | CLEVIS PIN 5/16" X 2-1/4" ZP        | 1        |
| 6      | WASHER 3/8" X 7/8" 18-8 FLT SS      | 2        |
| 7      | 1/4"-20 X 1 GR5 HEX HD CAP SCREW ZP | 2        |
| 8      | SUPPORT PLATE APRON                 | 1        |

## Side Rail Kit, RoadwarriorR, Left Side w/Labels

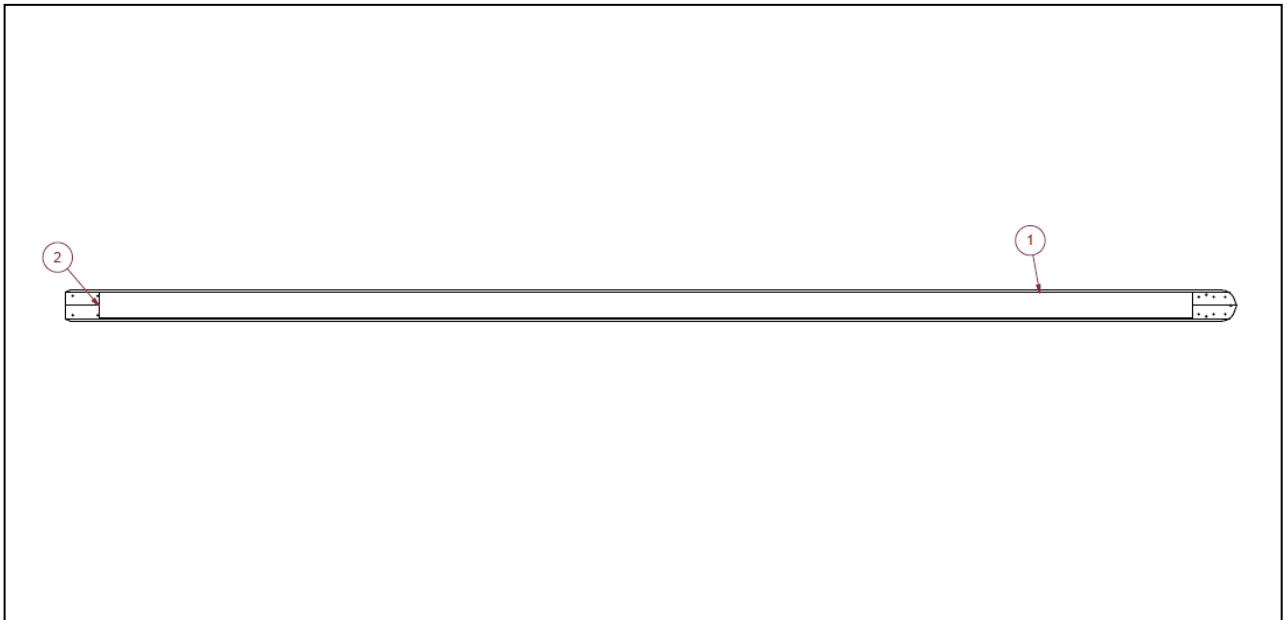


Side Rail Kit (RoadwarriorR), Left Side w/ Labels

| Ramp Length | Kit Part No. |
|-------------|--------------|
| 16'         | R03109       |
| 14'         | R03111       |
| 12'         | R04099       |
| 10'         | R04101       |
| 8'          | R04103       |

| Item # | Part Description          | Quantity |
|--------|---------------------------|----------|
| 1      | RAMP SIDE RAIL, LEFT SIDE | 1        |
| 2      | ROADWARRIOR RAMP LABEL    | 1        |

## Side Rail Kit, Roadwarrior™, Right Side w/Labels



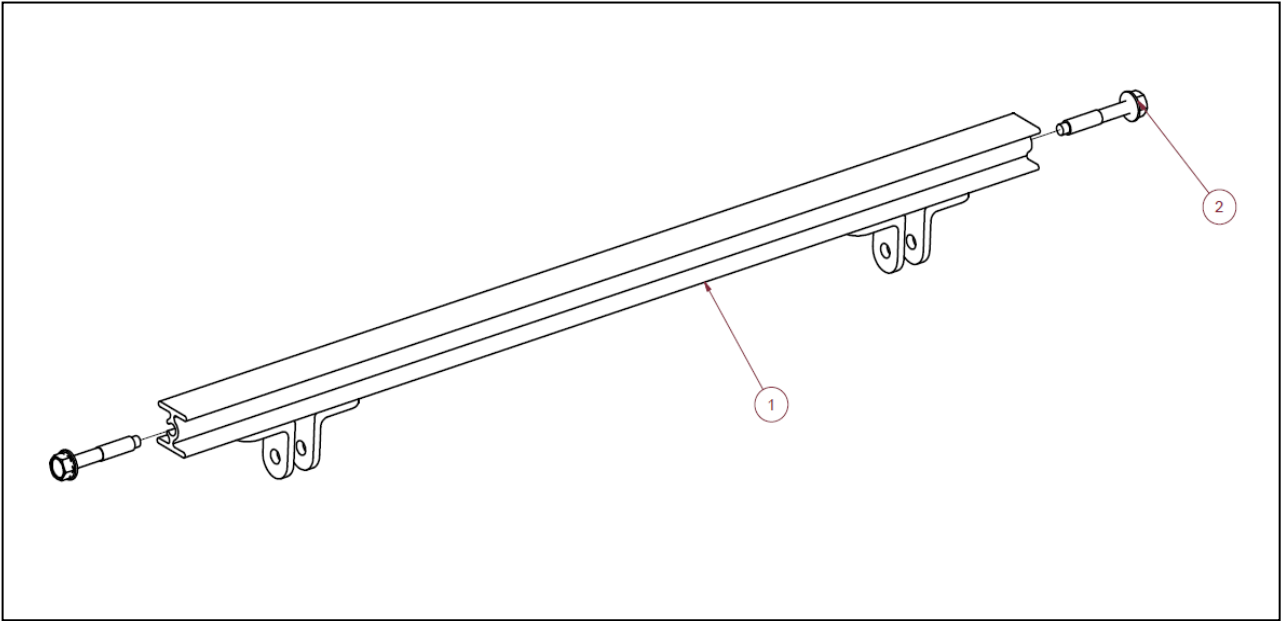
Side Rail Kit (RoadwarriorR), Right Side w/ Labels

| Ramp Length | Kit Part No. |
|-------------|--------------|
| 16'         | R03110       |
| 14'         | R03112       |
| 12'         | R04100       |
| 10'         | R04102       |
| 8'          | R04104       |

| Item # | Part Description           | Quantity |
|--------|----------------------------|----------|
| 1      | RAMP SIDE RAIL, RIGHT SIDE | 1        |
| 2      | ROADWARRIOR RAMP LABEL     | 1        |



## Tie Rod, Lift Assist Replacement Kit

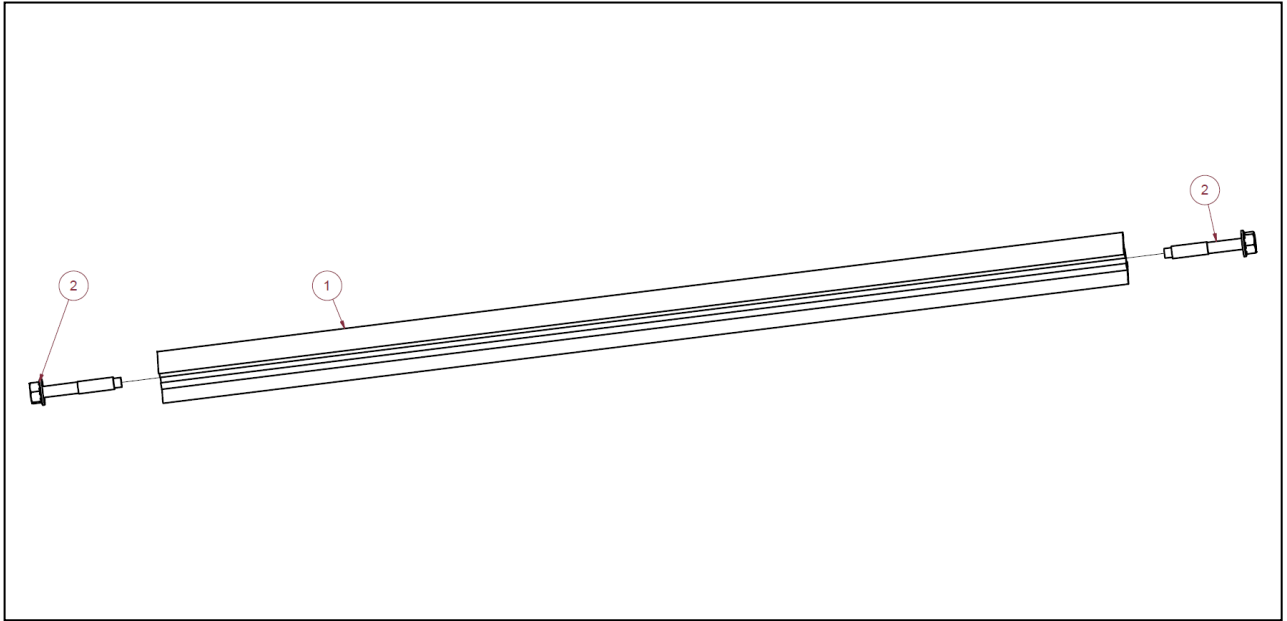


### Tie Rod, Lift Assist Replacement Kit

| Ramp Width | Kit Part No. |
|------------|--------------|
| 25-7/8"    | R04310       |
| 24-7/8"    | R04310-1     |
| 23-7/8"    | R04310-2     |
| 22-7/8"    | R04310-3     |
| 21-7/8"    | R04310-4     |

| Item # | Part Description          | Quantity |
|--------|---------------------------|----------|
| 1      | TIE ROD W/ SPRING BRACKET | 1        |
| 2      | TIE ROD SCREW             | 2        |

## Tie Rod Replacement Kit

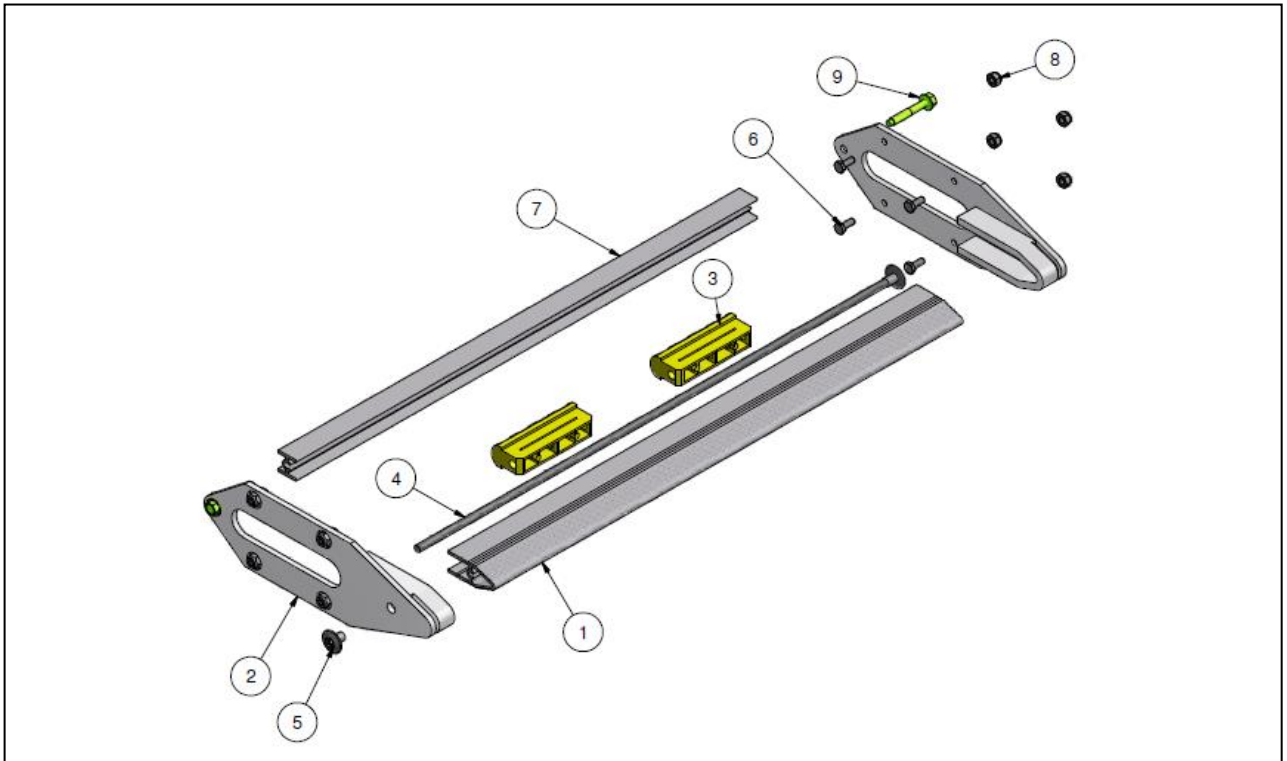


### Tie Rod Replacement Kit

| Ramp Width | Kit Part No. |
|------------|--------------|
| 25-7/8"    | R04285       |
| 24-7/8"    | R04285-1     |
| 23-7/8"    | R04285-2     |
| 22-7/8"    | R04285-3     |
| 21-7/8"    | R04285-4     |

| Item # | Part Description | Quantity |
|--------|------------------|----------|
| 1      | TIE ROD          | 1        |
| 2      | TIE ROD SCREW    | 2        |

## Transition Plate Assembly



### Transition Plate Assembly

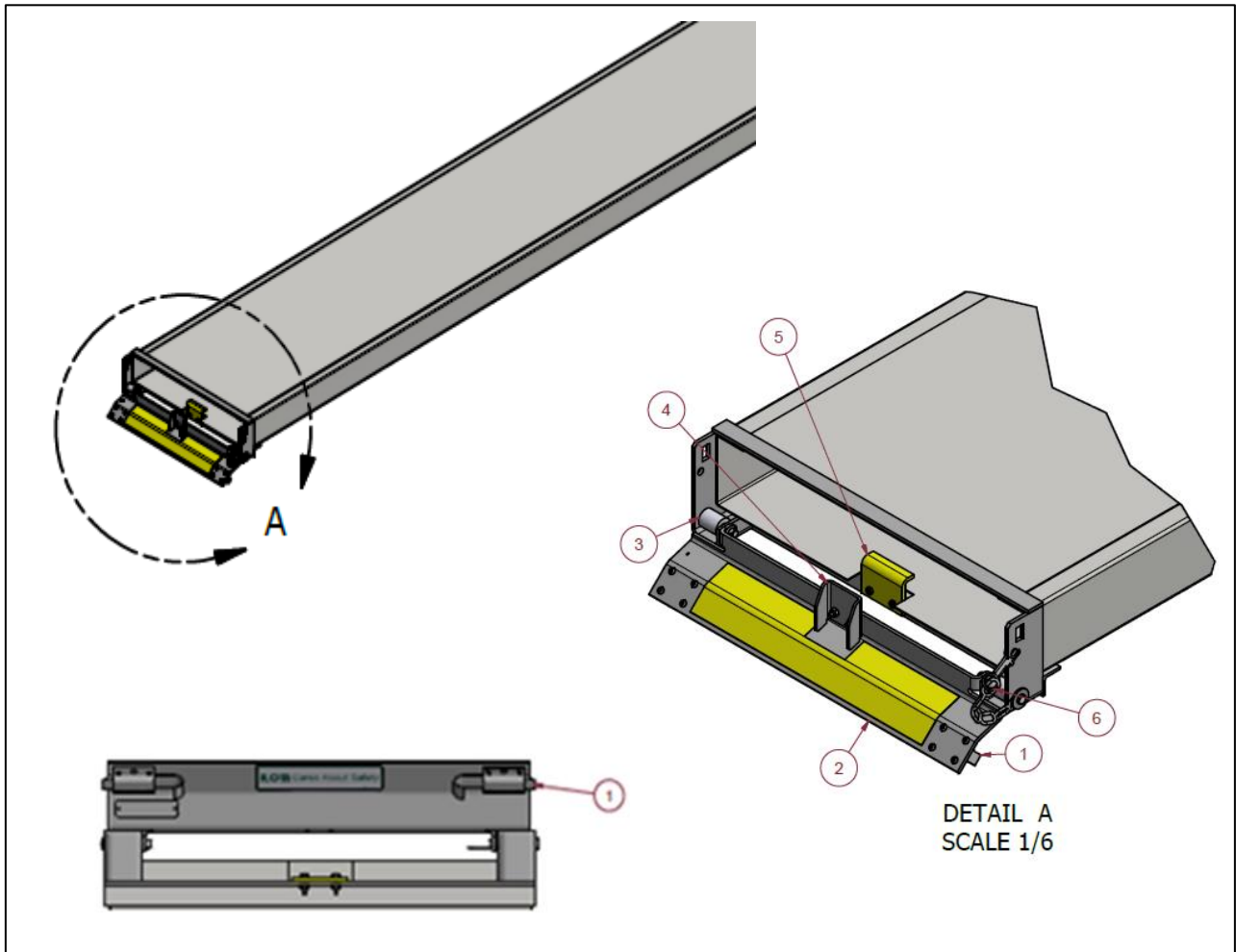
| Ramp Width | Kit Part No. |
|------------|--------------|
| 25-7/8"    | R00464       |
| 24-7/8"    | R00465       |
| 23-7/8"    | R00466       |
| 22-7/8"    | R00467       |
| 21-7/8"    | R00468       |

| Item # | Part Description                | Quantity |
|--------|---------------------------------|----------|
| 1      | TRANSITION PLATE STD            | 1        |
| 2      | WEAR BAND / PLATE WELD ASSEMBLY | 2        |

## Transition Plate Assembly (cont'd)

| Item # | Part Description   | Quantity |
|--------|--|----------|
| 3      | HANDLE W/THRU HOLE ROADWARRIOR                                     | 2        |
| 4      | ALLTHREAD 5/16"-18 X 25-5/8" LONG ZP                               | 1        |
| 5      | CAMTAINER NUT 5/16"-18 X 1/2" TORX #55                             | 2        |
| 6      | 1/4"-20 X 5/8" HEX HD CAP SCREW SS                                 | 8        |
| 7      | TIE ROD CUT TO STD 24-3/4"   | 1        |
| 8      | 1/4"-20 NYLON INSERT STOP NUT SS                                   | 8        |
| 9      | TIE ROD SCREW  | 2        |
|        | FM-8.5-44 - WEAR BAND / PLATE<br>RETROFIT INSTRUCTIONS (not shown) | 1        |

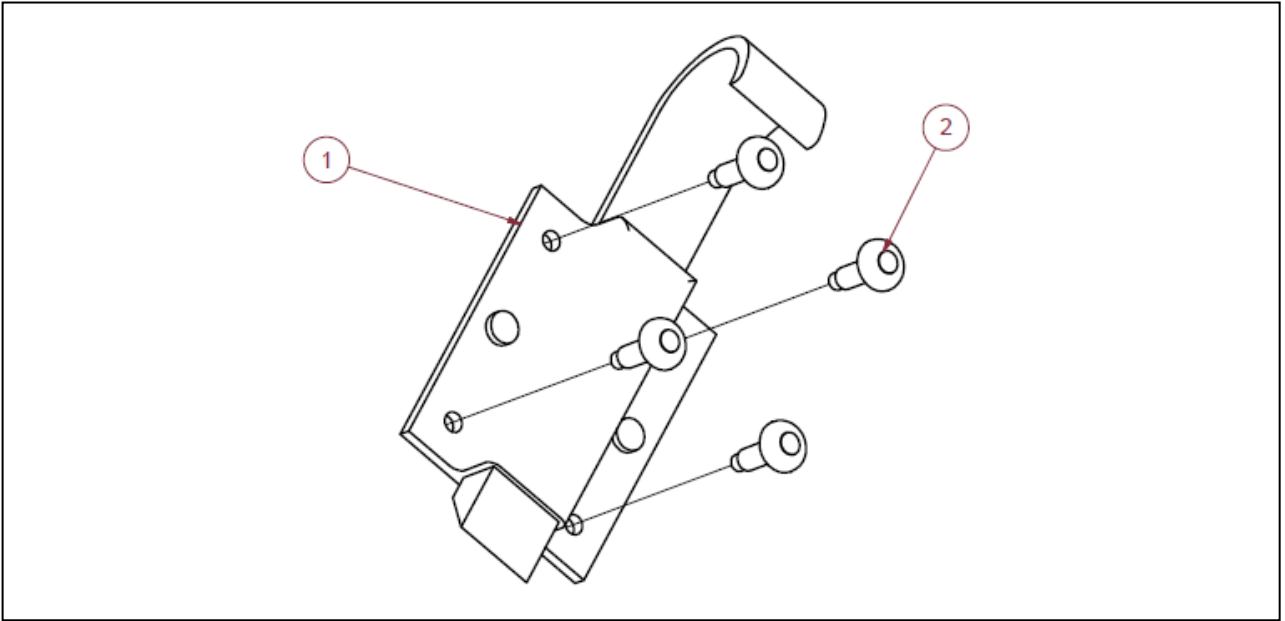
## RoadwarrioR™ Carrier Parts Kits



### RoadwarrioR Carrier Parts Kits

| Item # | Part Description                      | Page # |
|--------|---------------------------------------|--------|
| 1      | CARRIER DOOR LATCH KIT                | 38     |
| 2      | CARRIER LATCH & DOOR ASSEMBLY         | 39     |
| 3      | CARRIER ROLLER REPLACEMENT KIT        | 40     |
| 4      | CARRIER STOP KIT (STANDARD)           | 41     |
| 5      | CARRIER STOP KIT FOR LIFT ASSIST (LA) | 42     |
| 6      | CARRIER SAFETY CHAIN – RETROFIT KIT   | 43     |

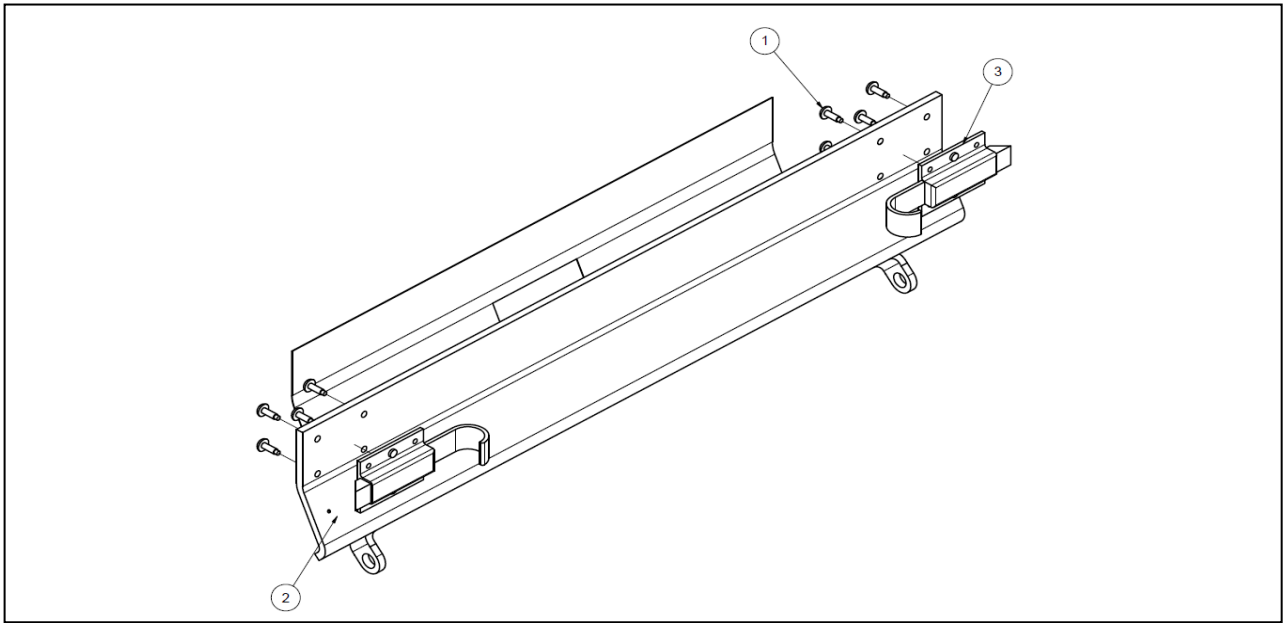
## Carrier Door Latch Kit



Carrier Door Latch Kit, Part No. R04281

| Item # | Part Description                   | Quantity |
|--------|------------------------------------|----------|
| 1      | FINGER BOLT LATCH                  | 1        |
| 2      | RIVET SS 3/16" GRIP .214-.437 STRL | 4        |

## Carrier Latch & Door Assembly

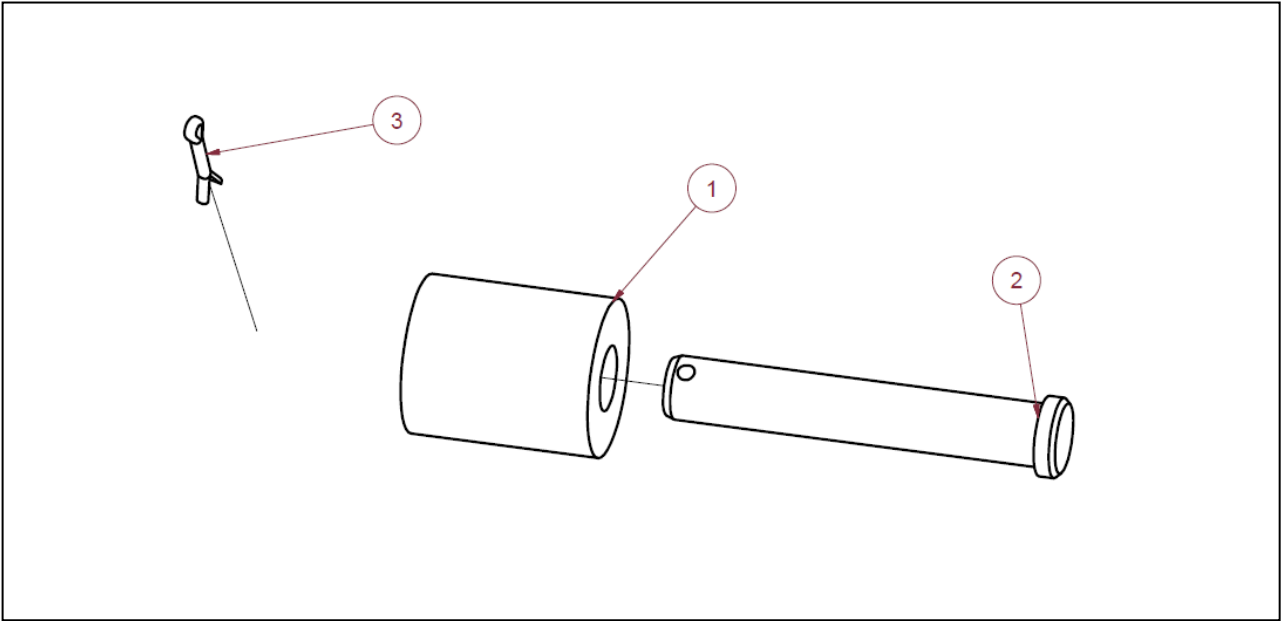


### Carrier Latch & Door Assembly

| Carrier Width           | Kit Part No. |
|-------------------------|--------------|
| 26-3/4" OD / 26-5/8" ID | R00745       |
| 25-3/4" OD / 25-5/8" ID | R00746       |
| 24-3/4" OD / 24-5/8" ID | R00747       |
| 23-3/4" OD / 23-5/8" ID | R00748       |
| 22-3/4" OD / 22-5/8" ID | R00749       |

| Item # | Part Description   | Quantity |
|--------|--|----------|
| 1      | RIVET SS 3/16" GRIP .214-.437 STRL                             | 8        |
| 2      | FLIP COVER BENT STD  | 1        |
| 3      | FINGER BOLT LATCH  | 2        |
| 4      | LABEL RAMP USAGE - ATTACHED TO FLIP GATE<br><i>(not shown)</i> | 1        |

## Carrier Roller Replacement Kit

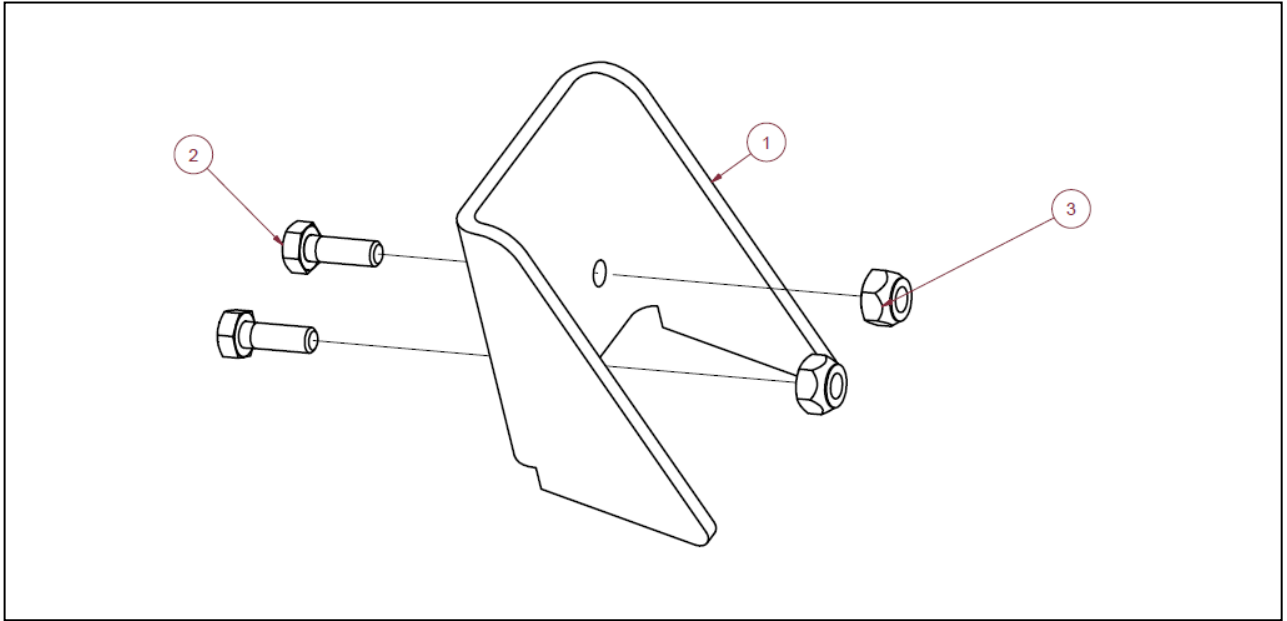


Carrier Roller Replacement Kit, Part No. R04283

| Item # | Part Description          | Quantity |
|--------|---------------------------|----------|
| 1      | ROLLER UHMW 1.25" OD      | 1        |
| 2      | CLEVIS PIN 1/2" X 3" ZP   | 1        |
| 3      | COTTER PIN 1/8" X 3/4" SS | 1        |



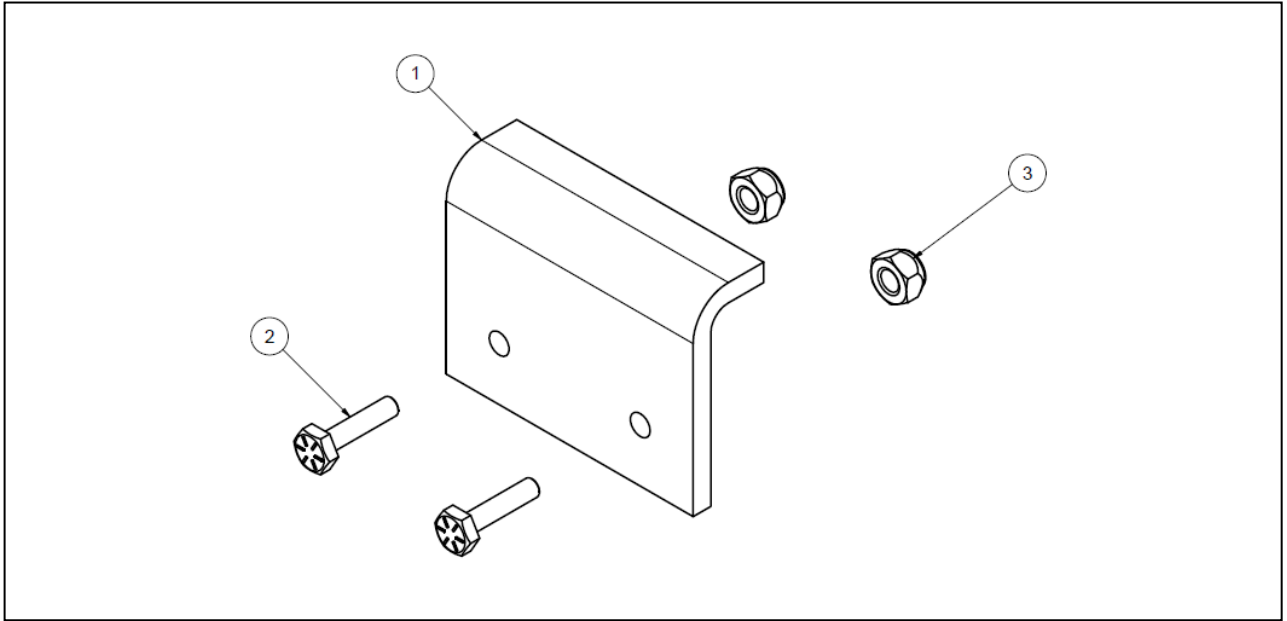
## Carrier Stop Kit (Standard)



Carrier Stop Kit (Standard), Part No. R04282

| Item # | Part Description                   | Quantity |
|--------|------------------------------------|----------|
| 1      | FLIP GATE STOP, STD RW             | 1        |
| 2      | 1/4"-20 X 3/4" HEX HD CAP SCREW SS | 2        |
| 3      | 1/4"-20 NYLON INSERT STOP NUT SS   | 2        |

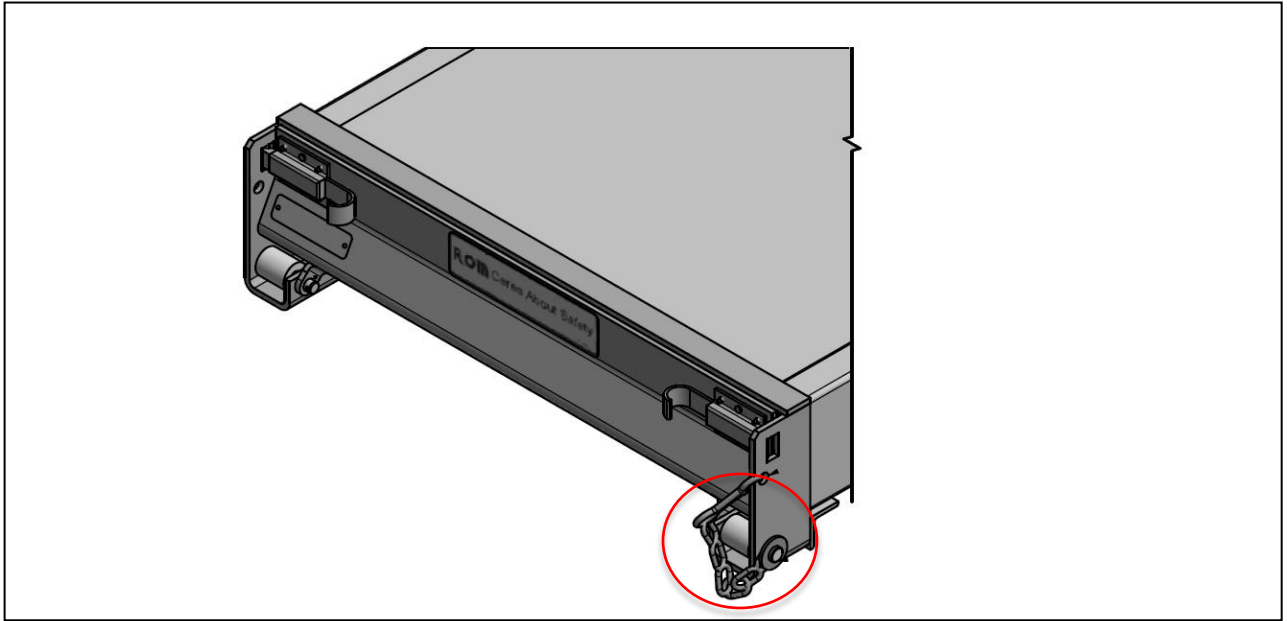
## Carrier Stop Kit for Lift Assist (LA)



Carrier Stop Kit for Lift Assist (LA), Part No. R03971

| Item # | Part Description                 | Quantity |
|--------|----------------------------------|----------|
| 1      | LA CARRIER STOP COATED           | 1        |
| 2      | SCREW 1/4"-20 X 1" GRADE 8 HD    | 2        |
| 3      | 1/4"-20 NYLON INSERT STOP NUT SS | 2        |

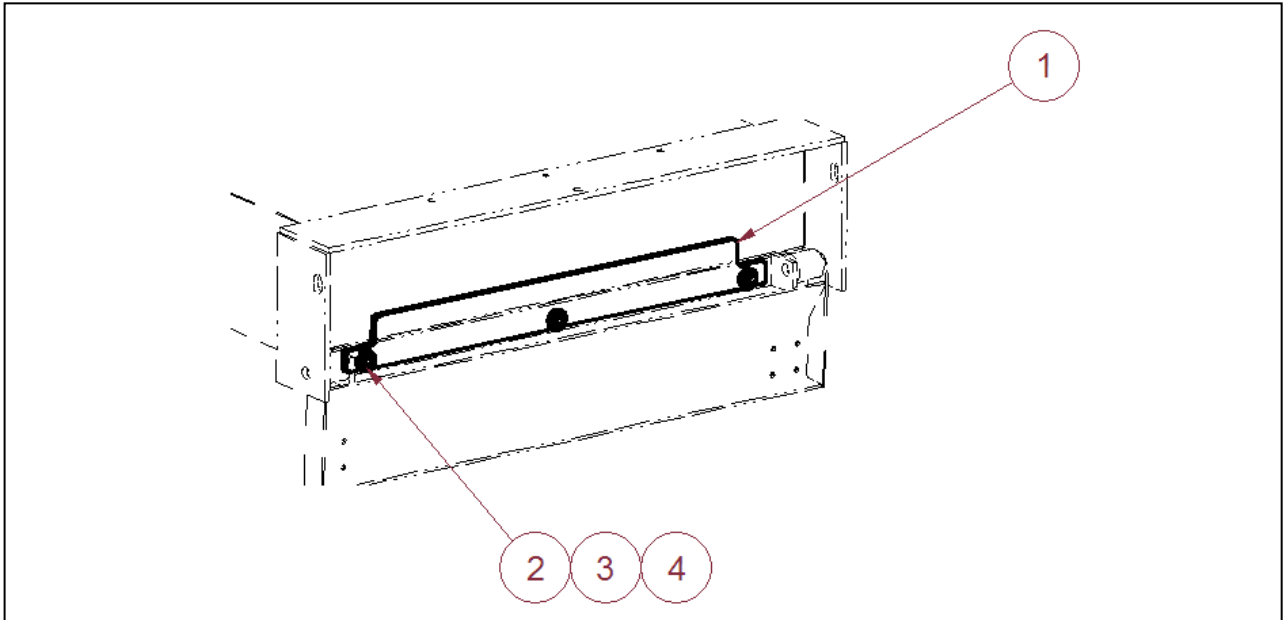
## Carrier Safety Chain – Retrofit Kit



Carrier Safety Chain – Retrofit Kit, Part No. R04448

| Item # | Part Description                            | Quantity |
|--------|---|----------|
| 1      | 3/16" QUICK LINK ZINC PLATE                 | 1        |
| 2      | CHAIN 3/16" STL-ZINC PLD                    | 1        |
| 3      | SINGLE END SNAP HOOK                        | 1        |
| 4      | CLEVIS PIN SS 1/2"x3-1/4" USABLE w/ 1/8" CP | 1        |
| 5      | HAIRPIN COTTER 3/8"-1/2" CLEVIS x.079X1.63L | 1        |
| 6      | WASHER FLAT 1/2 USS ZP                      | 1        |

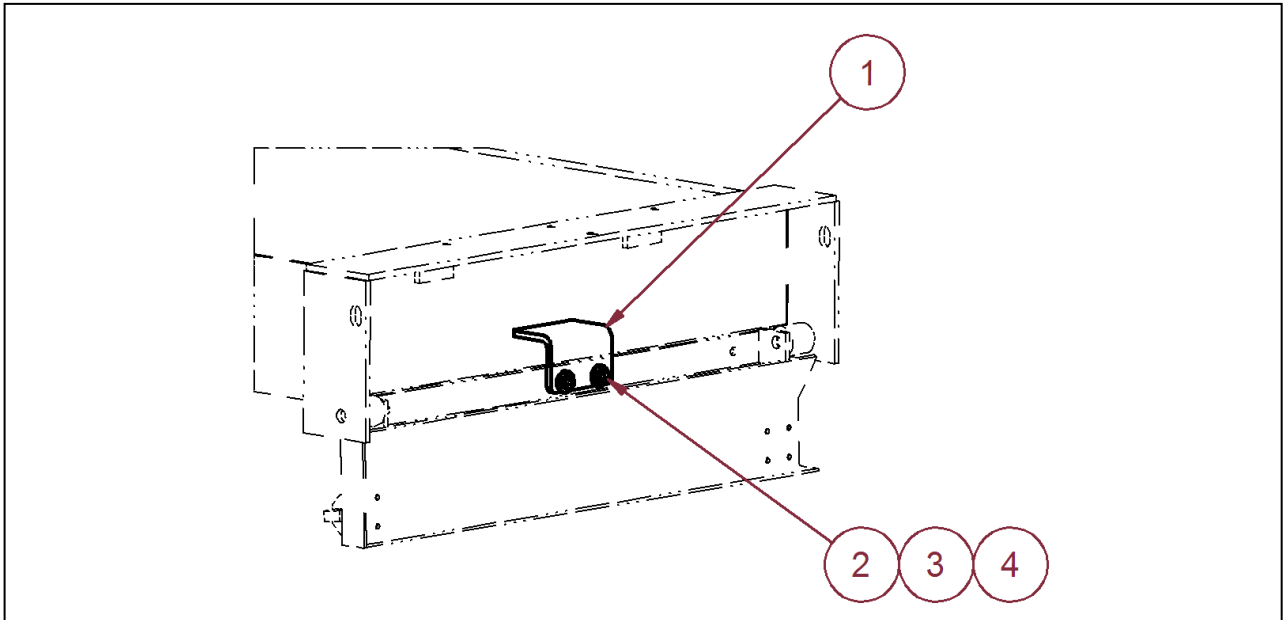
## Carrier Conversion Kit for a Bustin Carrier to hold a Roadwarrior Ramp



Carrier Conversion Kit for Bustin Carrier, Part No. R04454

| Item # | Part Description                      | Quantity |
|--------|---------------------------------------|----------|
| 1      | BRACKET, RAMP STOP                    | 1        |
| 2      | BOLT HHCS 5/16"X18 X 1.0 GR5 ZP       | 3        |
| 3      | NUT HEX LOCK NYLON INSERT 5/16"-18 ZP | 3        |
| 4      | A45 76 3303                           | 3        |

## Carrier Conversion Kit for a Bustin Carrier to hold a Roadwarrior Ramp w/Lift Assist



Carrier Conversion Kit for Bustin Carrier w/Lift Assist, Part No. R04456

| Item # | Part Description                      | Quantity |
|--------|---------------------------------------|----------|
| 1      | BRACKET, RAMP STOP LIFT ASSIST        | 1        |
| 2      | BOLT HHCS 5/16"X18 X 1.0 GR5 ZP       | 2        |
| 3      | NUT HEX LOCK NYLON INSERT 5/16"-18 ZP | 2        |
| 4      | A45 76 3303                           | 2        |