

R•O•M ROADWARRIOR™ R3-ITF Platform Preventative Maintenance & Usage Guidelines

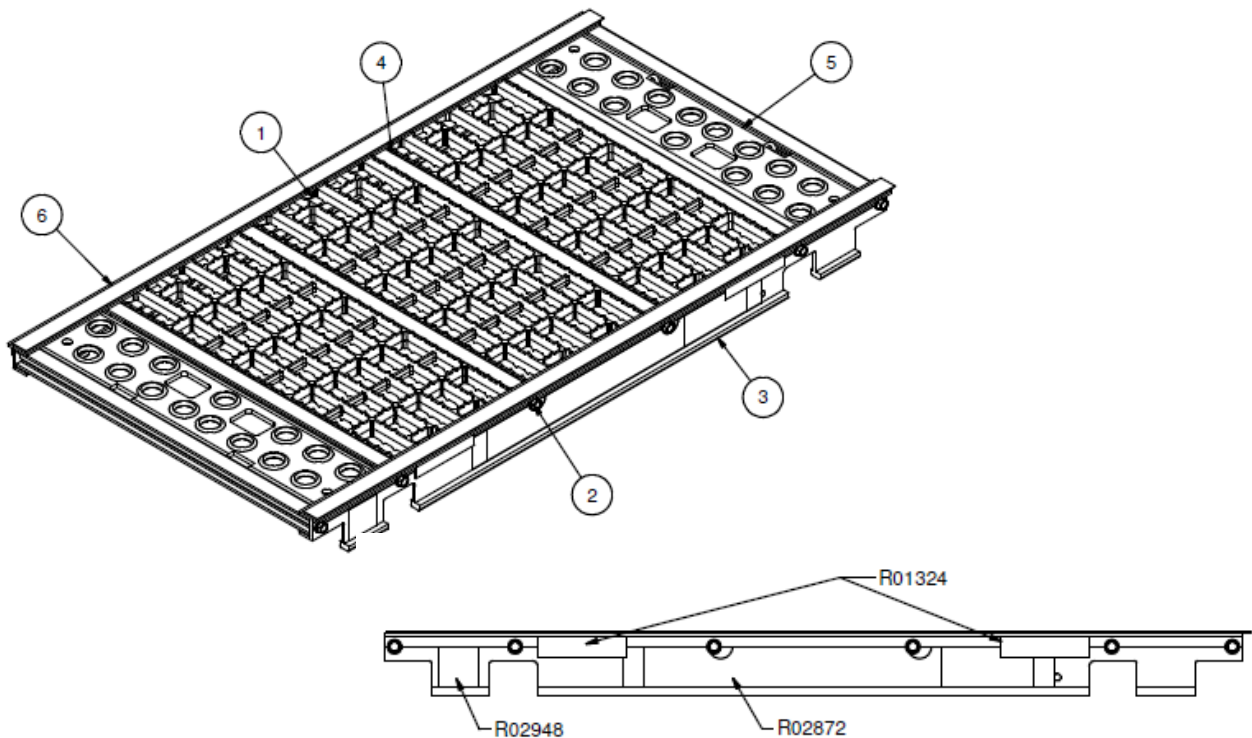
Periodic inspection of your platform must be completed every three months. Driver inspection is recommended daily before use. Operating a damaged platform could result in personal injury. Use only R•O•M replacement parts for repairs call 800-827-3692.

Inspect castings (1) they should be fully intact without any cracks or missing webs.

Inspect all 5/16" screws (2) along platform side rails (3) to insure they are tight (19.5 ±1 ft.-lbs. torque) **DO NOT OVER TIGHTEN SCREWS!** If screw heads are missing replace broken screws and associated tie-bar (4).

Inspect side rails (3) and apron (5) for unusual wear or cracks. Cracks and/or excessive wear may indicate fatigue. Inspect anti-skid tape (6) for wear or missing sections. Any components exhibiting these characteristics should be replaced immediately.

All labels shown below must be legible. If not legible, replace as soon as possible: #R02848 (2), #R02872 (2) and #R01324 (4). For replacement labels order kit #R04372.



Be sure to visit www.sftruckandtrailer.net for technical bulletins, installation instructions, maintenance videos, user videos and more.