

R•O•M SideStep Ladder Parts Manual



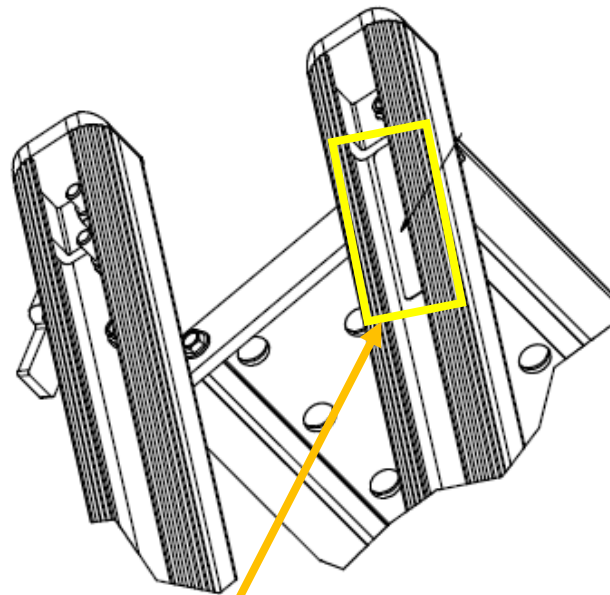
Table of Contents

Serial Number Location	3
Label Kit SideStep Ladder	4
Replacement Parts	5

Serial Number Location

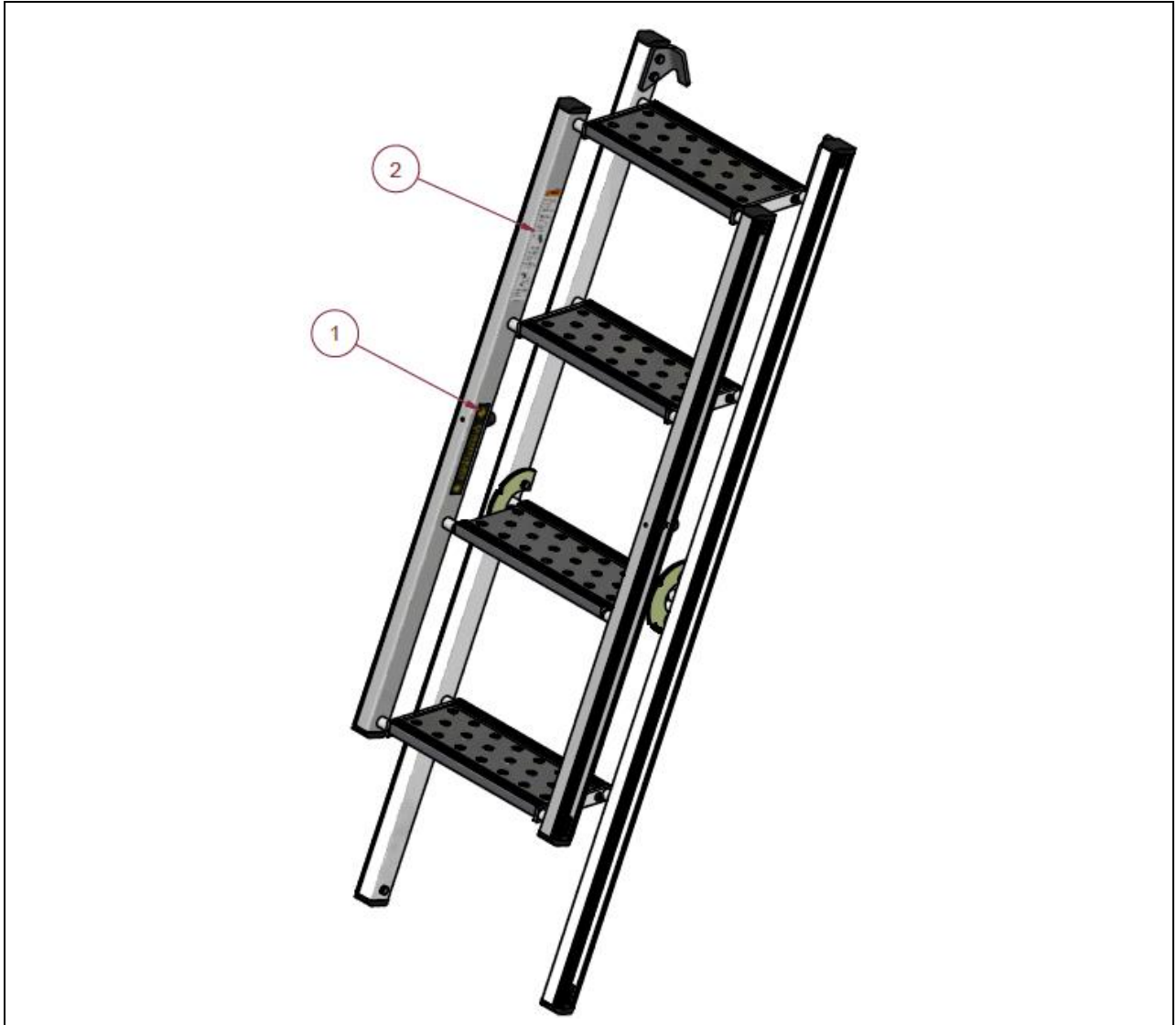
PLEASE NOTE:

Be sure to check the Serial Number before ordering parts.



Serial number location

SideStep Ladder Label Kit



SideStep Ladder Label Kit, Part No. R04376

Item #	Part Description	Quantity
1	PINCH POINT LABEL	2
2	PLATFORM LADDER WARNING LABEL	2

Replacement Parts



For the SideStep Ladder replacement part inquiries or to place an order please contact your Customer Development Representative at 800-827-3692.