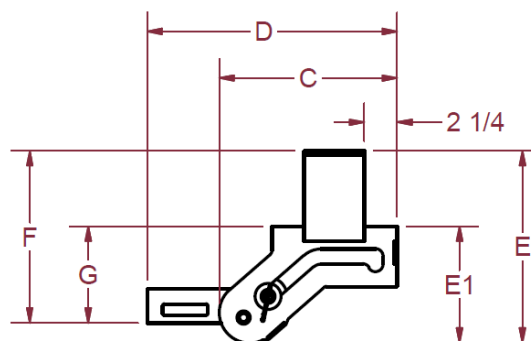
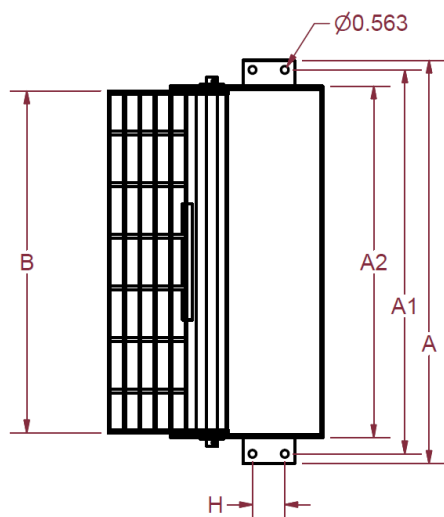


Bustin Slide Away Steps Specification Chart

1-Step Specifications

Steps	Width				Length	
	A	A1	A2	B	C	D
DB0206 Bolt On	31-1/4"	29-3/4"	27-1/4"	26-1/2"	11-13/16"	16-5/8"
DB0205 Weld On	N/A	N/A				

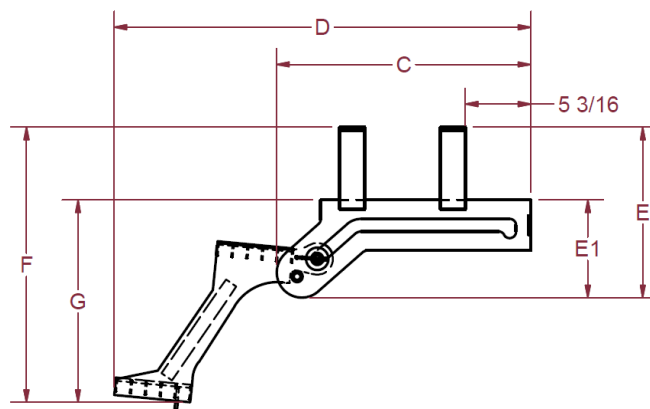
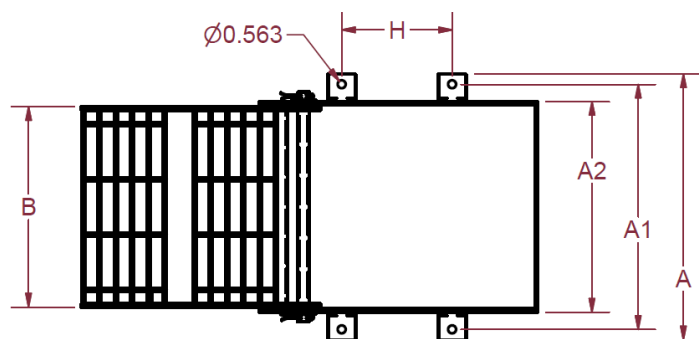
Steps	Height				Mounting Space	Weight
	E	E1	F	G	H	
DB0206 Bolt On	12-3/4"	7-3/4"	11-7/16"	6-7/16"	2-1/2"	30 lbs.
DB0205 Weld On	N/A		N/A		N/A	25 lbs.



2-Step Specifications

Steps	Width				Length	
	A	A1	A2	B	C	D
DB0201 Bolt On	19-1/4"	17-3/4"	15-1/4"	14-1/2"	20-3/16"	33-1/16"
HB0201 Weld On	N/A	N/A				
DB0203 Bolt On	31-1/4"	29-3/4"	27-1/4"	26-1/2"	20-3/16"	33-1/16"
DB0204 Weld On	N/A	N/A				

Steps	Height				Mounting Space	Weight
	E	E1	F	G	H	
DB0201 Bolt On	13-1/2"	7-3/4"	21-3/4"	16"	8"	30 lbs.
HB0201 Weld On	N/A		N/A		N/A	29 lbs.
DB0203 Bolt On	13-1/2"	7-3/4"	21-3/4"	16"	8"	42 lbs.
DB0204 Weld On	N/A		N/A		N/A	38 lbs.



3-Step Specifications

Steps	Width				Length	
	A	A1	A2	B	C	D
DB0202 Bolt On	19-1/4"	17-3/4"	15-1/4"	14-1/2"	34-3/16"	56-5/16"
HB0202 Weld On	N/A	N/A				
HB0204 Bolt On	31-1/4"	29-3/4"	27-1/4"	26-1/2"	34-3/16"	56-5/16"
HB0203 Weld On	N/A	N/A				

Steps	Height				Mounting Space	Weight
	E	E1	F	G	H	
DB0202 Bolt On	13-1/2"	7-3/4"	33-1/16"	27-5/16"	16"	48 lbs.
HB0202 Weld On	N/A		N/A		N/A	44 lbs.
HB0204 Bolt On	13-1/2"	7-3/4"	33-1/16"	27-5/16"	16"	60 lbs.
HB0203 Weld On	N/A		N/A		N/A	56 lbs.

