

FDP 4128LH

PARTS MANUAL

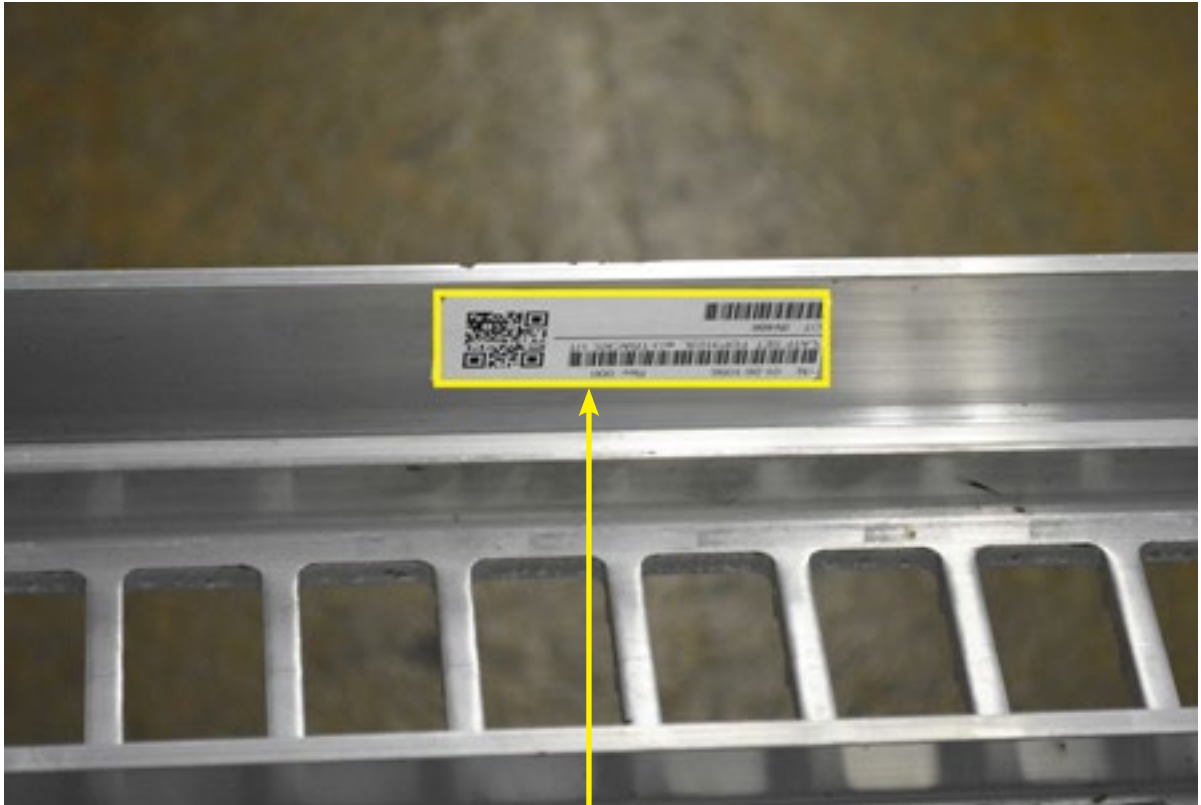


TABLE OF CONTENTS

Lot Number _____	1
Label Kit _____	2
Angle Kit, Grab Handle _____	3
Brush Kit _____	4
Flat Spring Kit _____	5
Grab Handle Kit _____	6
Latch Assembly Kit _____	7
Latch Kit _____	8
Pivot Kit, Grab Handle _____	9
Side Strip Kit _____	10
Side Insert Kit _____	11
Spring Slip Kit, Grab Handle _____	12
Stop Block Kit _____	13
Stop Screw Kit _____	14

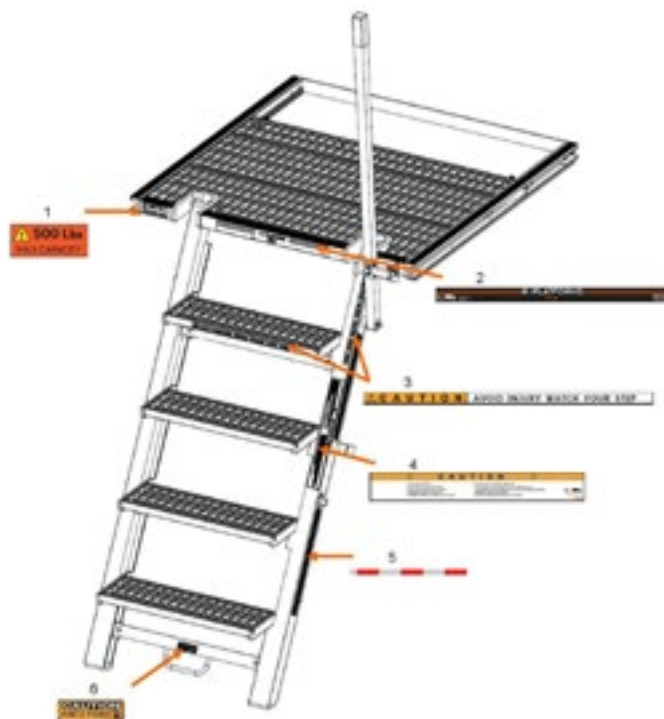
LOT NUMBER LOCATION

PLEASE NOTE: Be sure to check the Lot Number before ordering parts.



Lot Number located center inside of platform

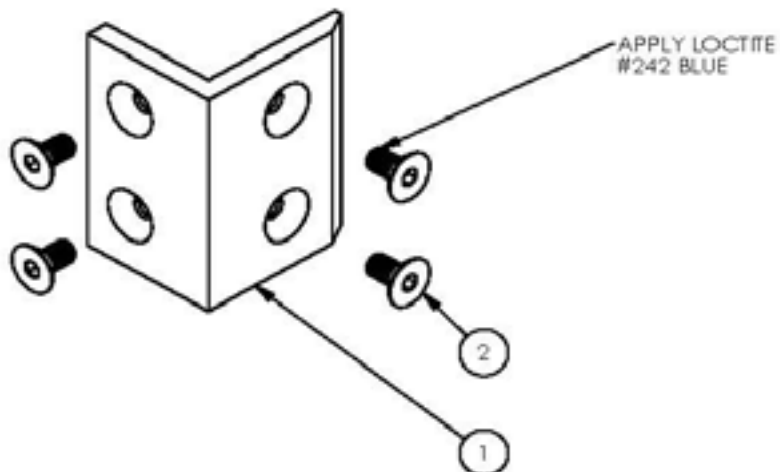
LABEL KIT, 4128LH



Label Kit, 4128LH, Part No. 05-26-1079

Item #	Part Description	Quantity
1	LABEL, LOAD CAPACITY, FDP4128LH	1
2	LABEL, MAIN LOGO, RANDALL FDP4128	1
3	LABEL, LP RAMPS, "WATCH YOUR STEP"	2
4	LABEL, MAIN CAUTION, FDP 4128	1
5	TAPE, REFLECTIVE, RED-WHITE, 1"W x 36"	2
6	LABEL, PINCH, FDP	1

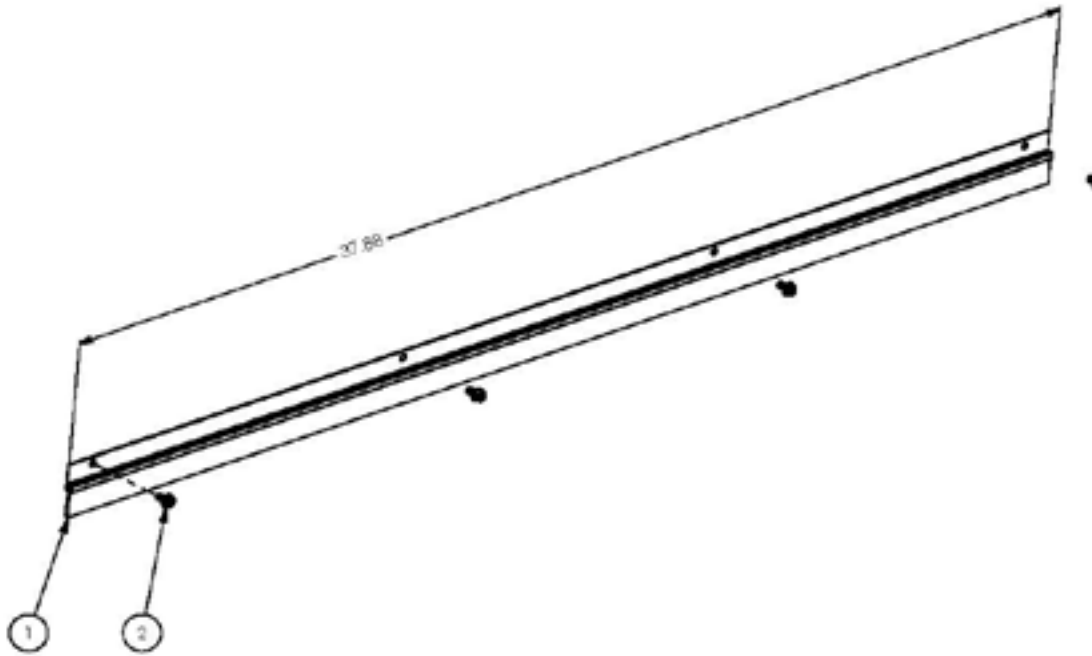
ANGLE KIT, GRAB HANDLE



Angle Kit, Grab Handle, Part No. 05-26-1056

Item #	Part Description	Quantity
1	ANGLE, GRAB HANDLE	1
2	FHSCS # 10-32 x 3/8", ZN	4

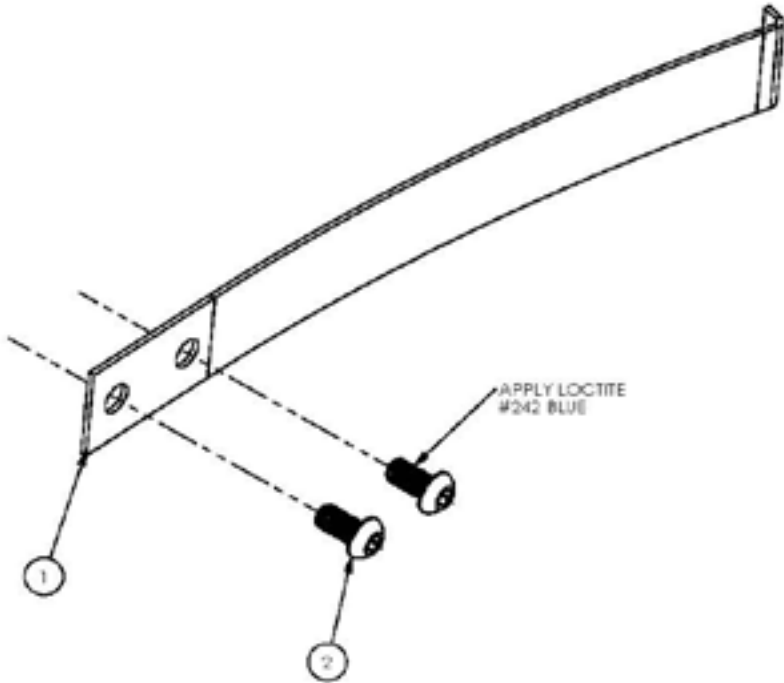
BRUSH KIT



Brush Kit, Part No. 05-26-1070

Item #	Part Description	Quantity
1	SEAL BRUSH ASSY	1
2	HH # 10-32 X 3/8", THREAD CUTTING, ZC	4

FLAT SPRING KIT



Flat Spring Kit, Part No. 05-26-1066

Item #	Part Description	Quantity
1	SPRING, FLAT, 1" W, SS	1
2	BHCS, 1/4" - 28 x 1/2", SS	2

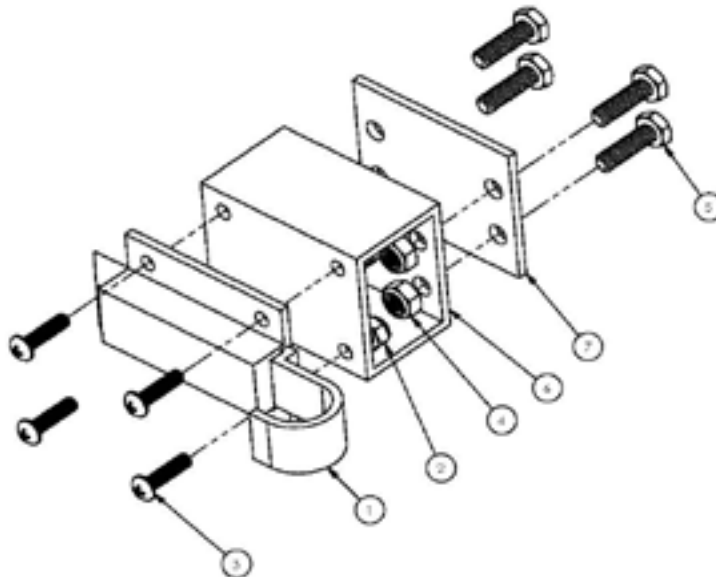
GRAB HANDLE KIT



Grab Handle Kit, Part No. 05-26-1075

Item #	Part Description	Quantity
1	PIN, CLEVIS, 1/2" DIA. X 2-1/2", SS	1
2	WF, .50 ID x 1.25 OD x .06T, SS	2
3	PIN, COTTER, 1/8" DIA. 1-1/4" L, SS	1
4	GRAB HANDLE ASSY	1

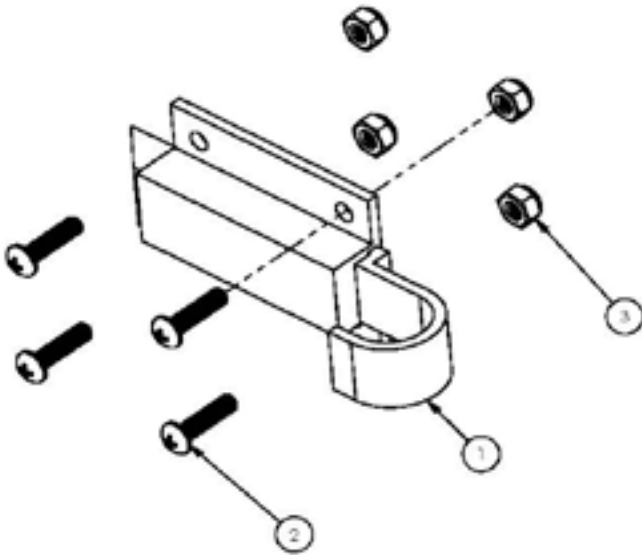
LATCH ASSEMBLY KIT



Latch Assembly Kit, Part No. 05-26-1072

Item #	Part Description	Quantity
1	LATCH, SLAM	1
2	HLNN, # 10-32, SS	4
3	PPHMS # 10-32 x 3/4", SS	4
4	HLNO, 1/4"-20, G8, CAD	4
5	HHCS, 1/4"-20 x 7/8", G8, CAD	4
6	BASE, LATCH, GRAB HANDLE	1
7	SPACER PLATE, GRAB HANDLE	1

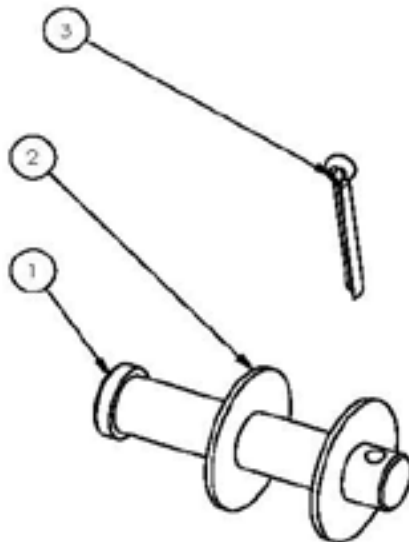
LATCH KIT



Latch Kit, Part No. 05-26-1071

Item #	Part Description	Quantity
1	LATCH, SLAM, FDP 4128LH, SS	1
2	PPHMS # 10-32 x 3/4", SS	4
3	HLNN, # 10-32, SS	4

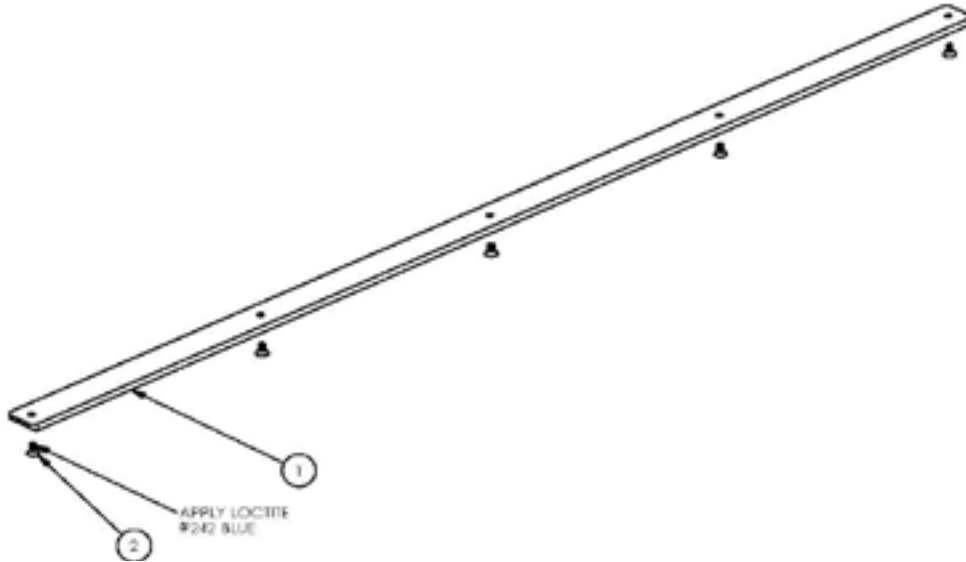
PIVOT KIT, GRAB HANDLE



Pivot Kit, Grab Handle, Part No. 05-26-1074

Item #	Part Description	Quantity
1	PIN, CLEVIS, 1/2" DIA. X 2-1/2", SS	1
2	WF, .50 ID x 1.25 OD x .06T, SS	2
3	PIN, COTTER, 1/8" DIA. 1-1/4" L, SS	1

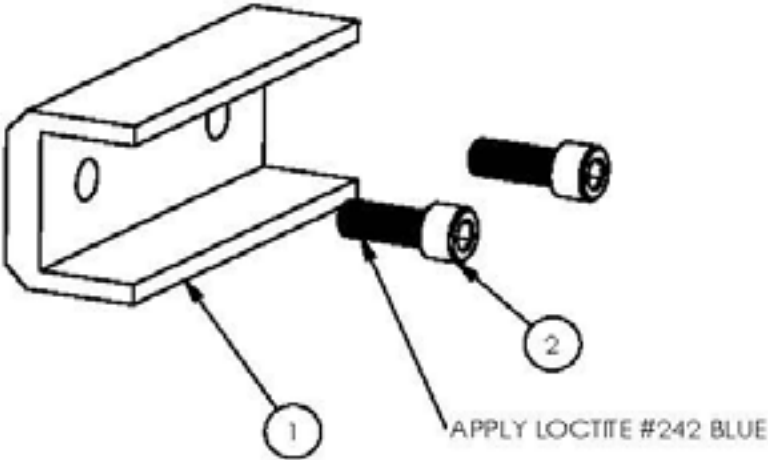
SLIDE STRIP KIT



Slide Strip Kit, Part No. 05-26-1069

Item #	Part Description	Quantity
1	SLIDE STRIP, FDP 4128LH, 1/4" X 1-1/4" X 40", UHMV	1
2	FHSCS # 10-32 x 3/8", ZN	5

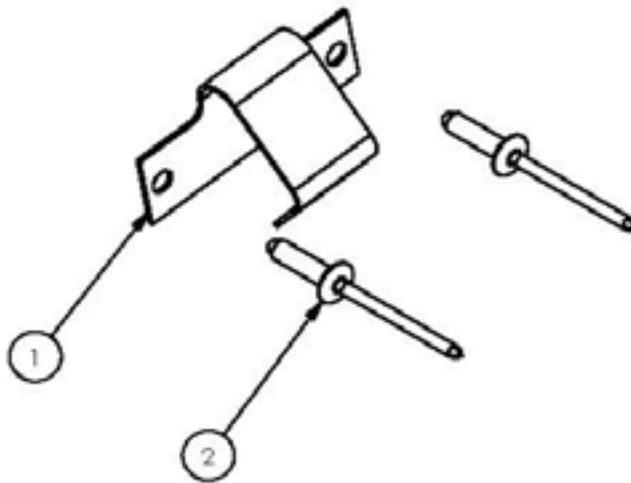
SLIDE INSERT KIT



Slide Inster Kit, Part No. 05-26-1068

Item #	Part Description	Quantity
1	SLIDE INSERT, 3535 FDP, UHMW	1
2	SHCS, 1/4"-28 x 5/8", ZN	2

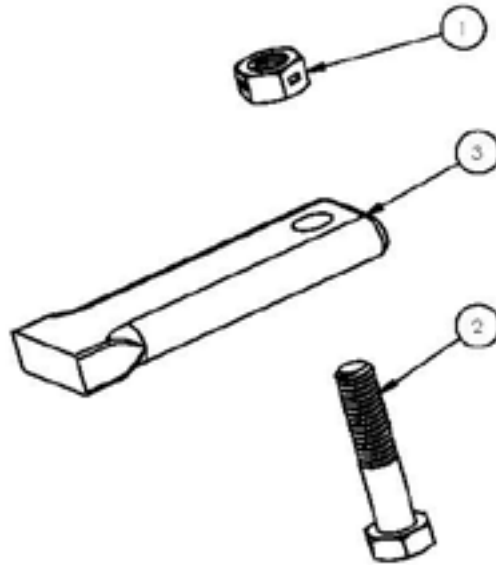
SPRING CLIP KIT, GRAB HANDLE



Spring Clip Kit, Grab Handle, Part No. 05-26-1073

Item #	Part Description	Quantity
1	FLAT SPRING, GRAB HANDLE, FDP 4128LH, SS	1
2	RIVET, BLIND, 5/23 DIA., .50 LG, SS	2

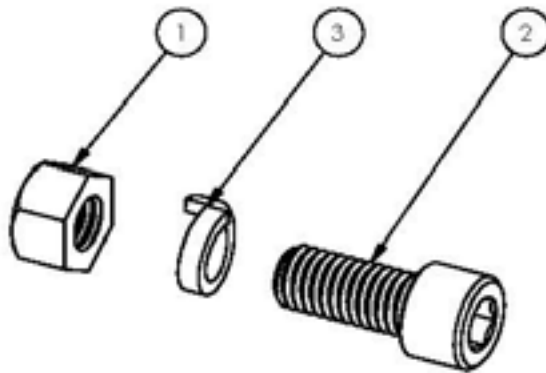
STOP BLOCK KIT



Stop Block Kit, Part No. 05-26-1067

Item #	Part Description	Quantity
1	HLNC, 5/16" -18, G8 CAD	1
2	HHCS, 5/16" -18 x 1-1/2", G8, PT, ZN	1
3	STOP BLOCK, FDP 3535	1

STOP SCREW KIT



Stop Screw Kit, Part No. 05-26-1065

Item #	Part Description	Quantity
1	HN, 1/2"-13, G5, ZINC PLTD	1
2	SHCS, 1/2"-13 x 1-1/8", SS	1
3	WLS, 1/2" SHCS, SS	1