

FDP 3123L

PARTS MANUAL

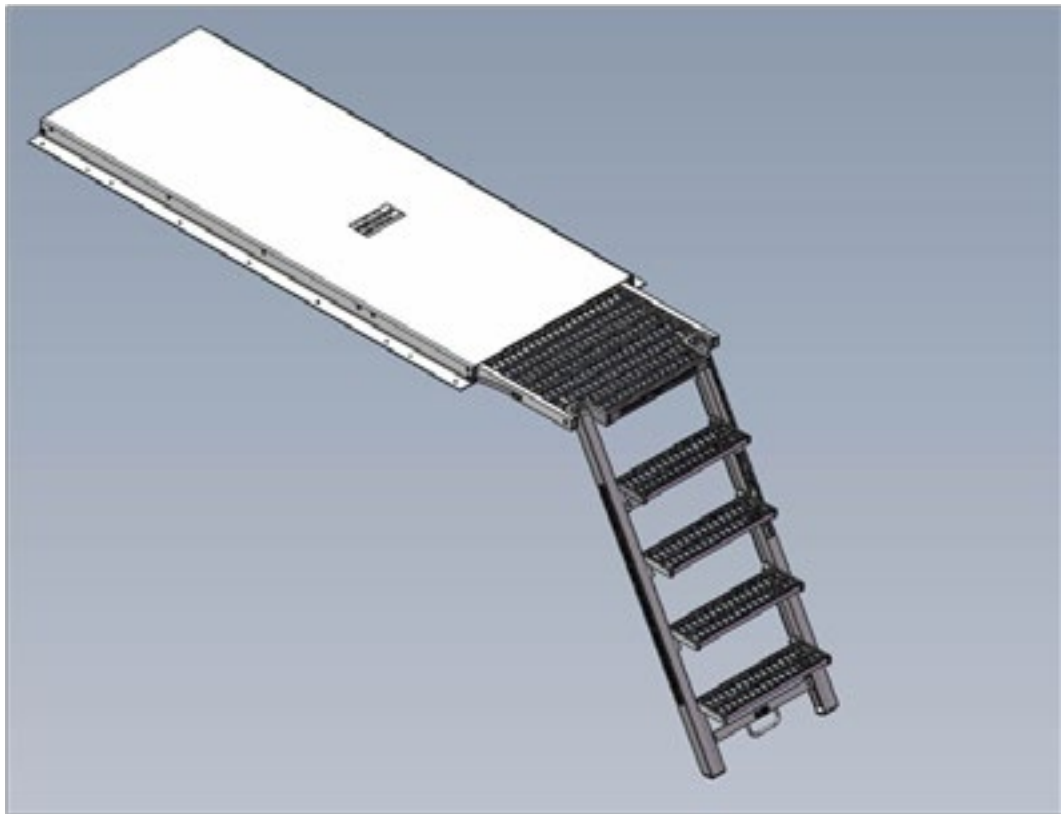
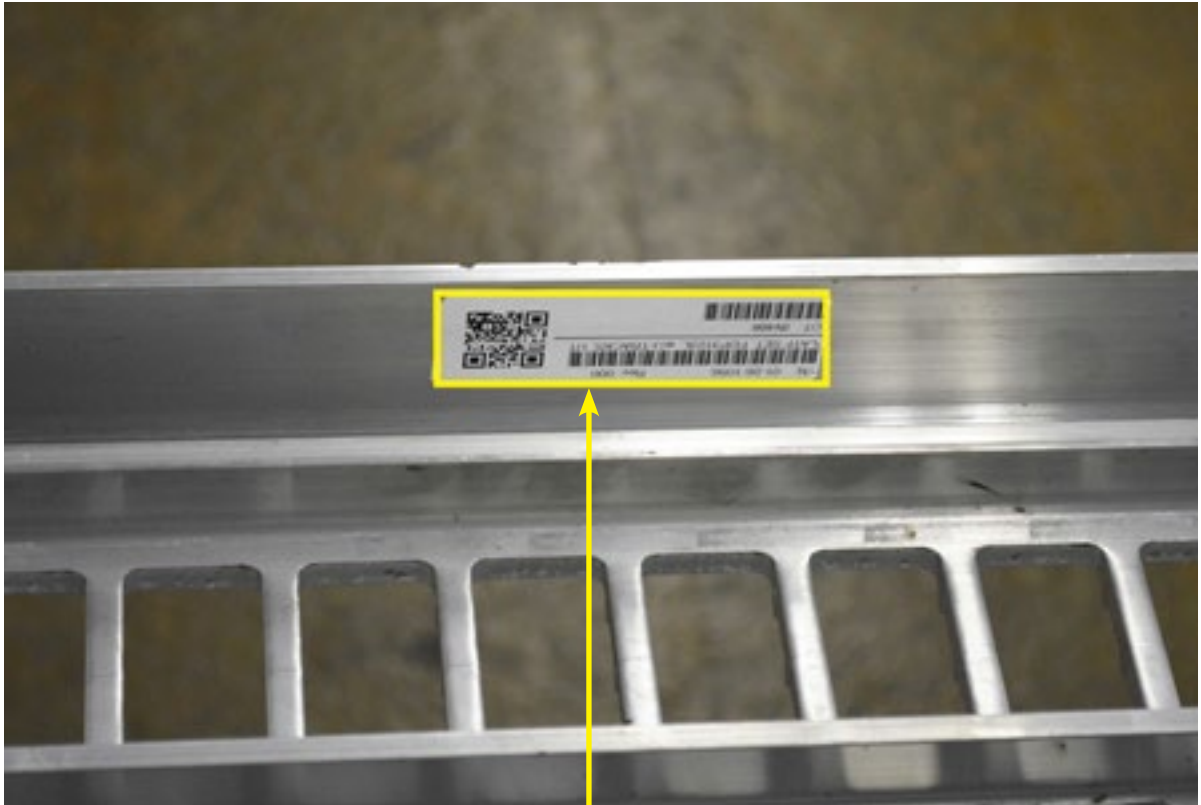


TABLE OF CONTENTS

Lot Number _____	1
Label Kit _____	2
Brace Bar Kit, Stairs _____	3
Clevis Pin Kit _____	4
Flat Spring Kit _____	5
Handle Bar Kit, Stairs _____	6
Leg Kit, LH _____	7
Leg Kit, RH _____	8
Panel Tread Kit, Stairs _____	9
Roller Kit _____	10
Side Block Kit _____	11
Stairs Kit _____	12
Stop Screw Kit _____	13
Tread Kit, Stairs _____	14

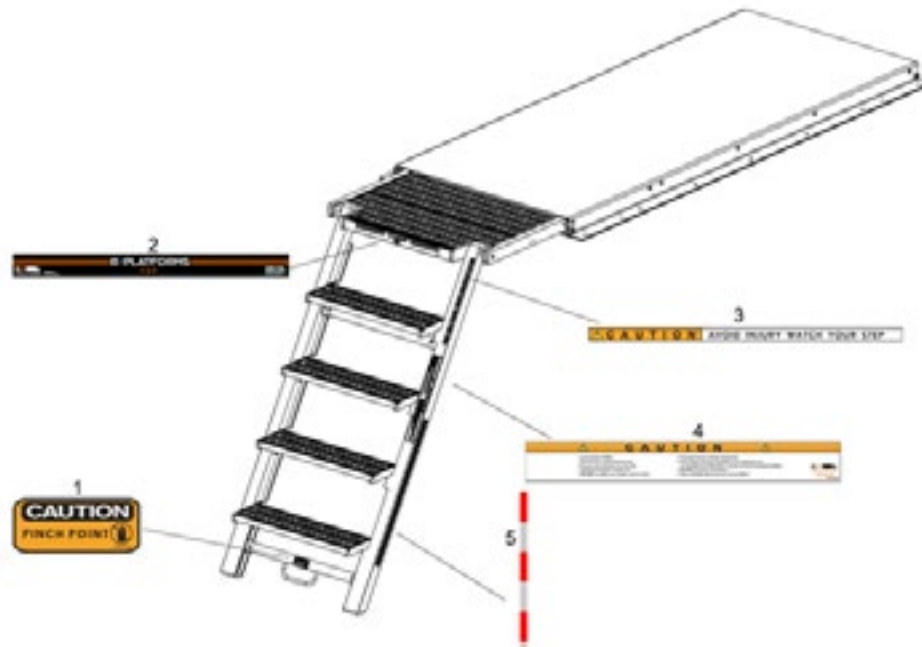
LOT NUMBER LOCATION

PLEASE NOTE: Be sure to check the Lot Number before ordering parts.



Lot Number located center inside of platform

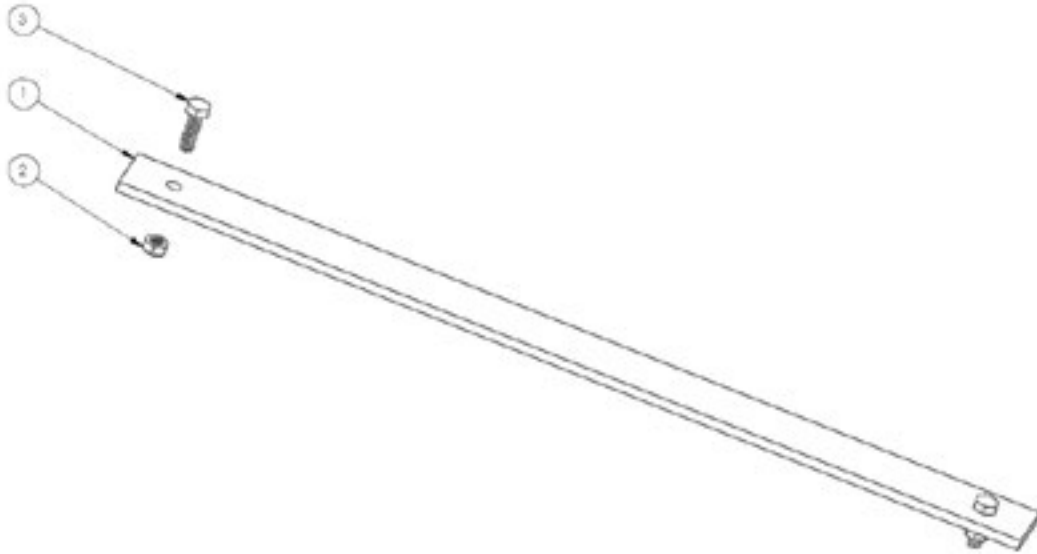
LABEL KIT, 3123L



Label Kit 3123L, Part No. 05-26-1080

Item #	Part Description	Quantity
1	LABEL, PINCH, FDP	1
2	LABEL, MAIN LOGO, RANDALL FDP3136	1
3	LABEL, LP RAMPS, "WATCH YOUR STEP"	2
4	LABEL, FDP PLATFORM, MAIN CAUTION	1
5	TAPE, REFLECTIVE, RED-WHITE, 1"W x 36"	2

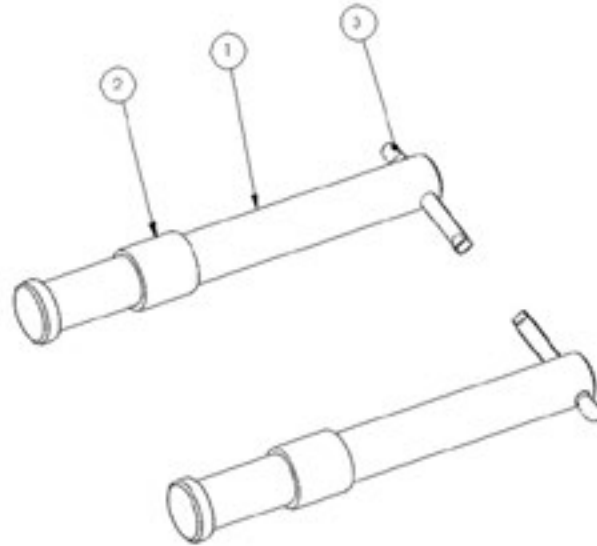
BRACE BAR KIT, STAIRS



Brace Bar Kit, Stairs, Part No. 05-26-1025

Item #	Part Description	Quantity
1	BRACE BAR, STAIRS, 31X23 FDP	1
2	HLNO, 5/16"-18, G8, CAD	2
3	HHCS, 5/16"-18 x 1", G8, CAD	2

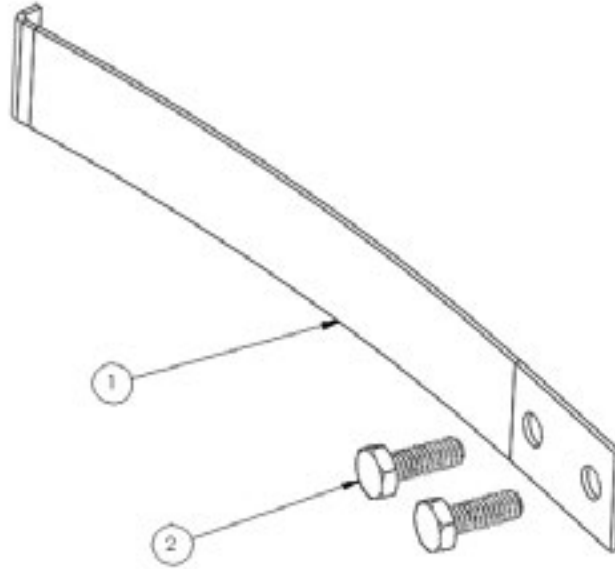
CLEVIS PIN KIT



Clevis Pin Kit, Part No. 05-26-1022

Item #	Part Description	Quantity
1	PIN, CLEVIS, 1/2 DIA x 4-1/2" L, ZN	2
2	BEARING, SLEEVE, 1/2" ID, 5/8" OD X 5/8" L, NYLON	2
3	PIN, COTTER, 5/32" DIA 1-1/4" L, CAD	2

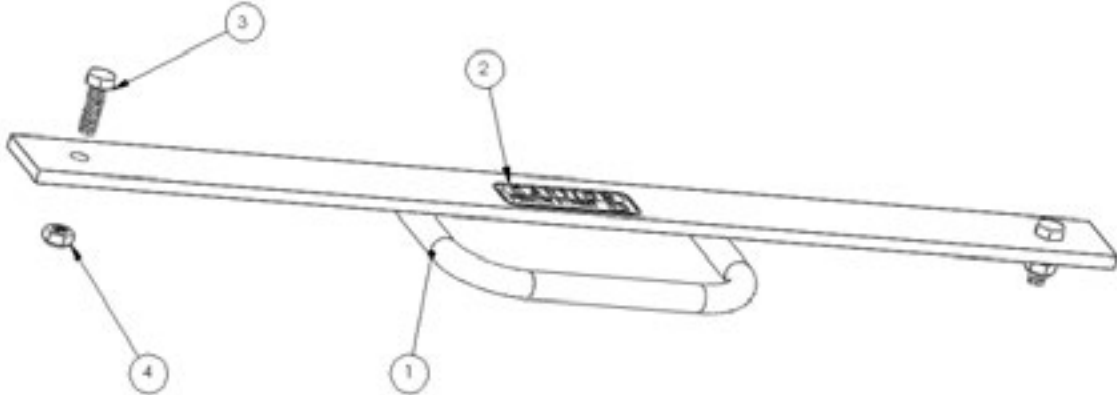
FLAT SPRING KIT



Flat Spring Kit, Part No. 05-26-1020

Item #	Part Description	Quantity
1	SPRING, FLAT, 1" W, SS, FDP	1
2	HHCS, 1/4"-20 x 3/4", ZN	2

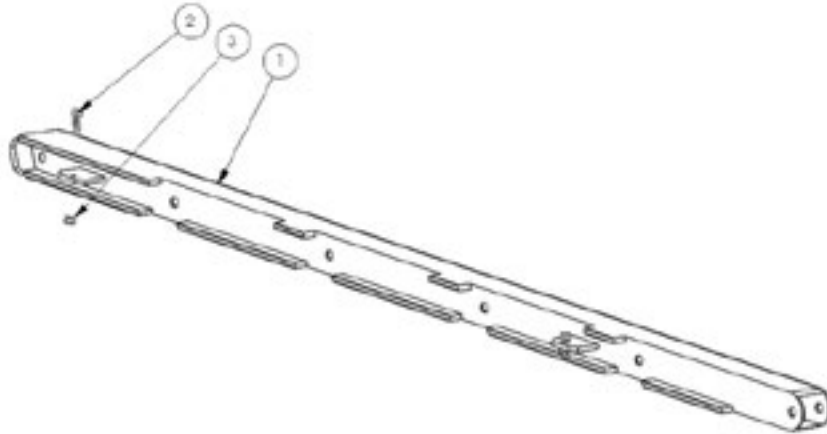
HANDLE BAR KIT, STAIRS



Handle Bar Kit, Stairs, Part No. 05-26-1024

Item #	Part Description	Quantity
1	HANDLE BAR WELDMENT, STAIRS, 31X23 FDP	1
2	LABEL, PINCH, FDP	1
3	HHCS, 5/16" -18 x 1", G8, CAD	2
4	HLNO, 5/16" -18, G8, CAD	2

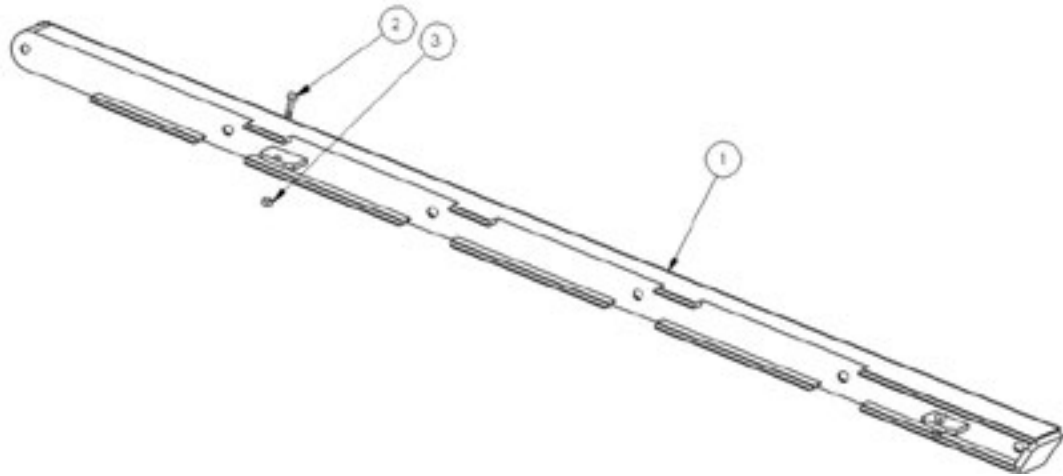
LEG KIT, LH



Leg Kit, LH, Part No. 05-26-1028

Item #	Part Description	Quantity
1	LEG WELDMENT, LH, 31X23 FDP	1
2	HHCS, 5/16"-18 x 1", G8, CAD	2
3	HLNO, 5/16"-18, G8, CAD	2

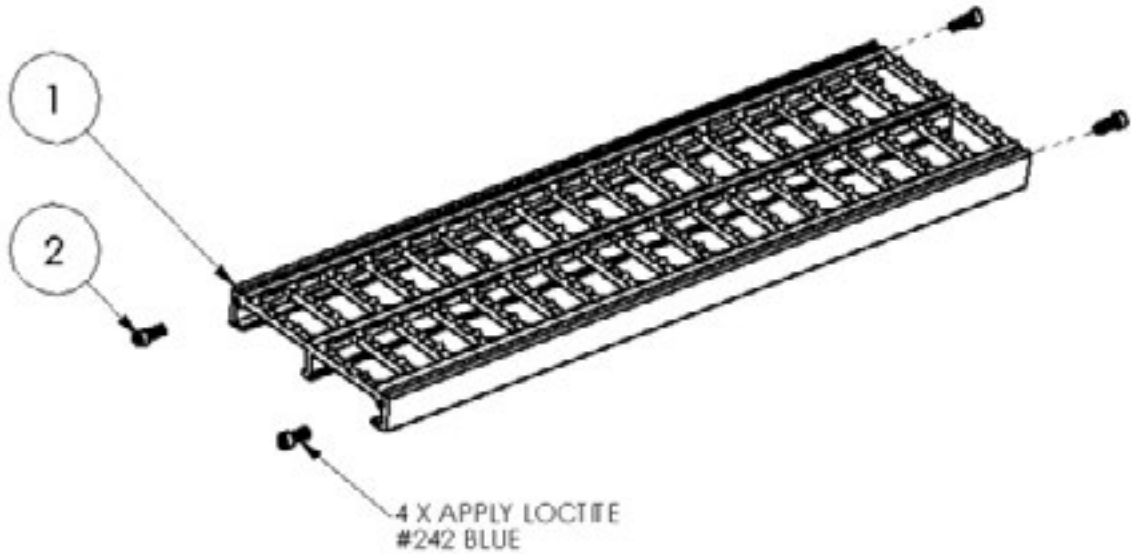
LEG KIT KIT, RH



Leg Kit, RH, Part No. 05-26-1029

Item #	Part Description	Quantity
1	LEG WELDMENT, RH, 31X23 FDP	1
2	HHCS, 5/16" -18 x 1", G8, CAD	2
3	HLNO, 5/16" -18, G8, CAD	2

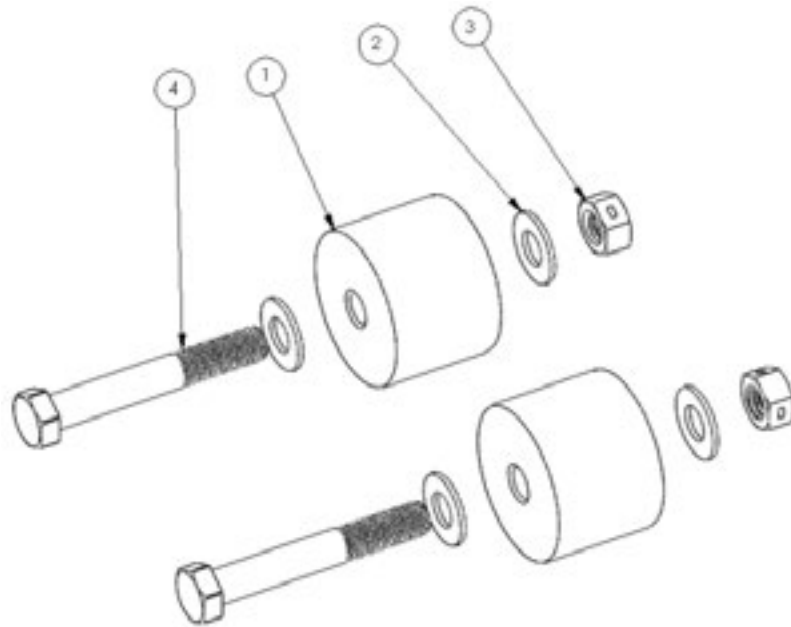
PANEL TREAD KIT, STAIRS



Panel Tread Kit, Stairs, Part No. 05-26-1031

Item #	Part Description	Quantity
1	PANEL, STEP EXTRUSION, FDP ASSY	1
2	SHCS 1/4"-20 x 5/8", ZN	4

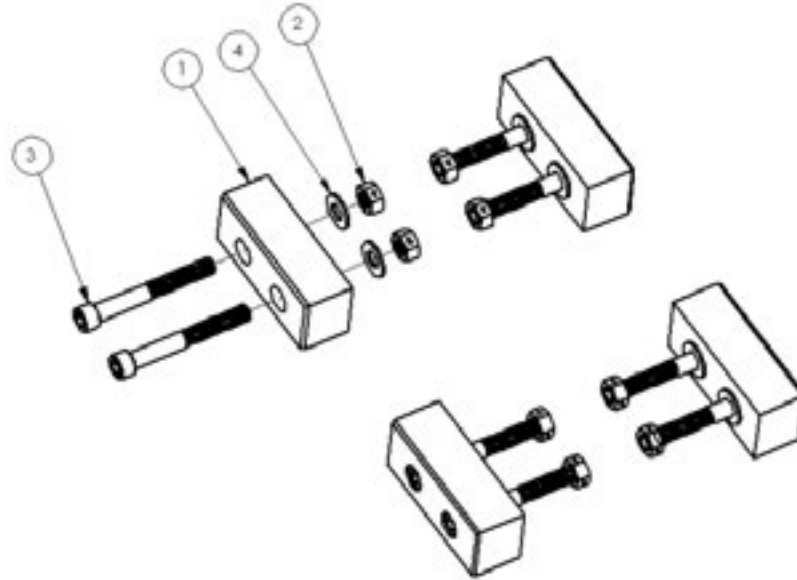
ROLLER KIT



Roller Kit, Part No. 05-26-1021

Item #	Part Description	Quantity
1	ROLLER, RAMP WITHOUT LIFT	2
2	WASHER, 11/32" ID x 11/16" OD x .05" T, CAD	4
3	HLNC, 5/16"-18, G8, CAD	2
4	HHCS, 5/16"-18 x 2-1/4", CAD	2

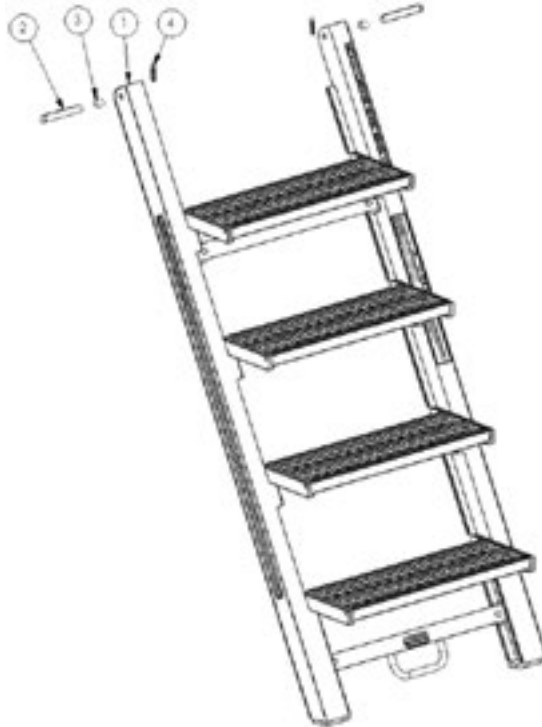
SIDE BLOCK KIT



Slide Block Kit, Part No. 05-26-1019

Item #	Part Description	Quantity
1	SLIDE BLOCK, 35X35 FDP	4
2	HLNC, 5/16"-18, G8, CAD	8
3	SHCS, 5/16"-18 x 2-1/2", PT, ZN	8
4	WASHER, 11/32" ID x 11/16" OD x .05" T, CAD	8

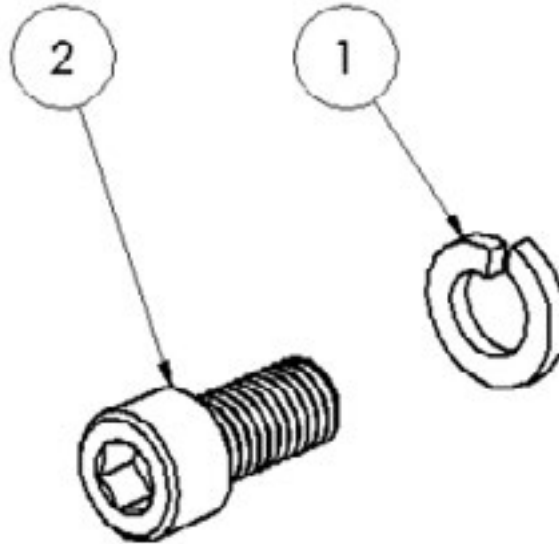
STAIRS KIT



Stairs Kit, Part No. 05-26-1027

Item #	Part Description	Quantity
1	STAIRS ASSY, 31X23 FDP	1
2	PIN, CLEVIS, 1/2 DIA x 4-1/2" L, ZN	2
3	BEARING, SLEEVE, 1/2" ID x 5/8" OD x 5/8" L, NYLON	2
4	PIN, COTTER, 5/32" DIA x 1-1/4" L, CAD	2

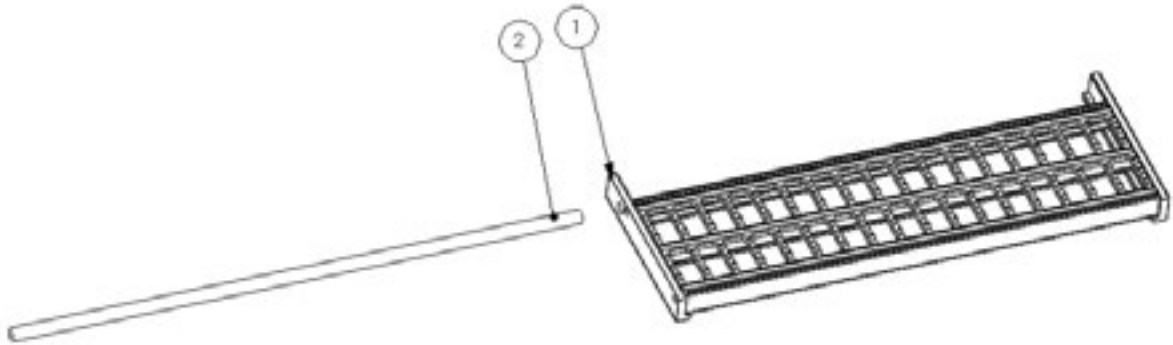
STOP SCREW KIT



Stop Screw Kit, Part No. 05-26-1030

Item #	Part Description	Quantity
1	WLS, FOR 1/2" SCREW, SS	1
2	SHCS, 1/2"-13 x 1", SS	1

TREAD KIT, STAIRS



Tread Kit, Stairs, Part No. 05-26-1023

Item #	Part Description	Quantity
1	TREAD ASSY, STAIRS, 31X23 FDP	1
2	ROD, STEP PIVOT, STAIRS, 31X23 FDP	1