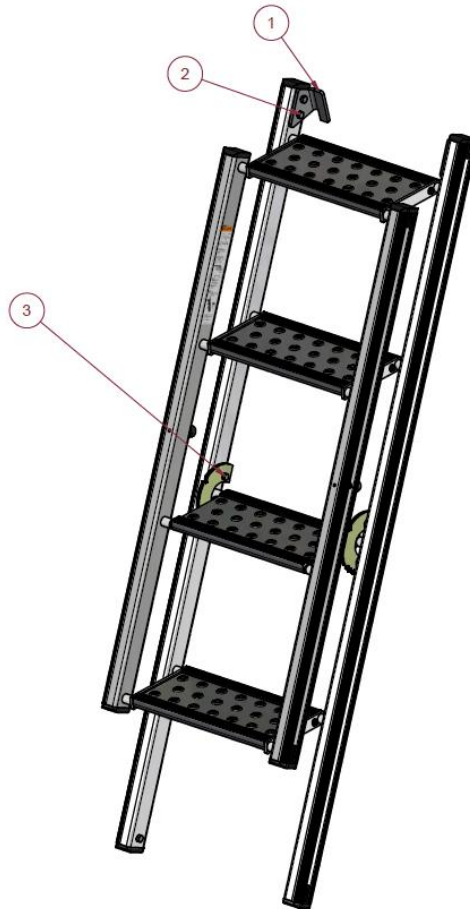


R•O•M SideStep Ladder Preventative Maintenance & Usage Guidelines

This Preventative Maintenance and Usage guideline is to inform users that regular inspection of your ladder must be completed every three months and it's advisable that drivers inspect the ladder daily before use. Using a damaged ladder could result in bodily injury. Use only R•O•M replacement parts for repairs call 800-827-3692.

Inspect the hooks (1), check the bolts and lock nuts (2) fastening the hooks, to ensure they are tight and the hooks are securely attached to rails. Check the fasteners (3) make sure they are tightened.

Stressing and or excessive wear can be an indication of fatigue. Any components showing these signs should be replaced immediately. All labels shown in the diagram below must be legible. If not legible, be sure to replace as soon as possible: (2) R02148 labels located on inner side of both left and right vertical supports.



IMPORTANT: R•O•M also recommends that the ladder be used on a level surface. Be sure to regularly inspect your ladder for loose fasteners, and repair or replace damaged parts. Any parts that are damaged or loose can cause serious injury. Improper usage of the ladder can cause damage and possibly void any remaining warranty. Please contact your Customer Development Representative at 800-892-3692.