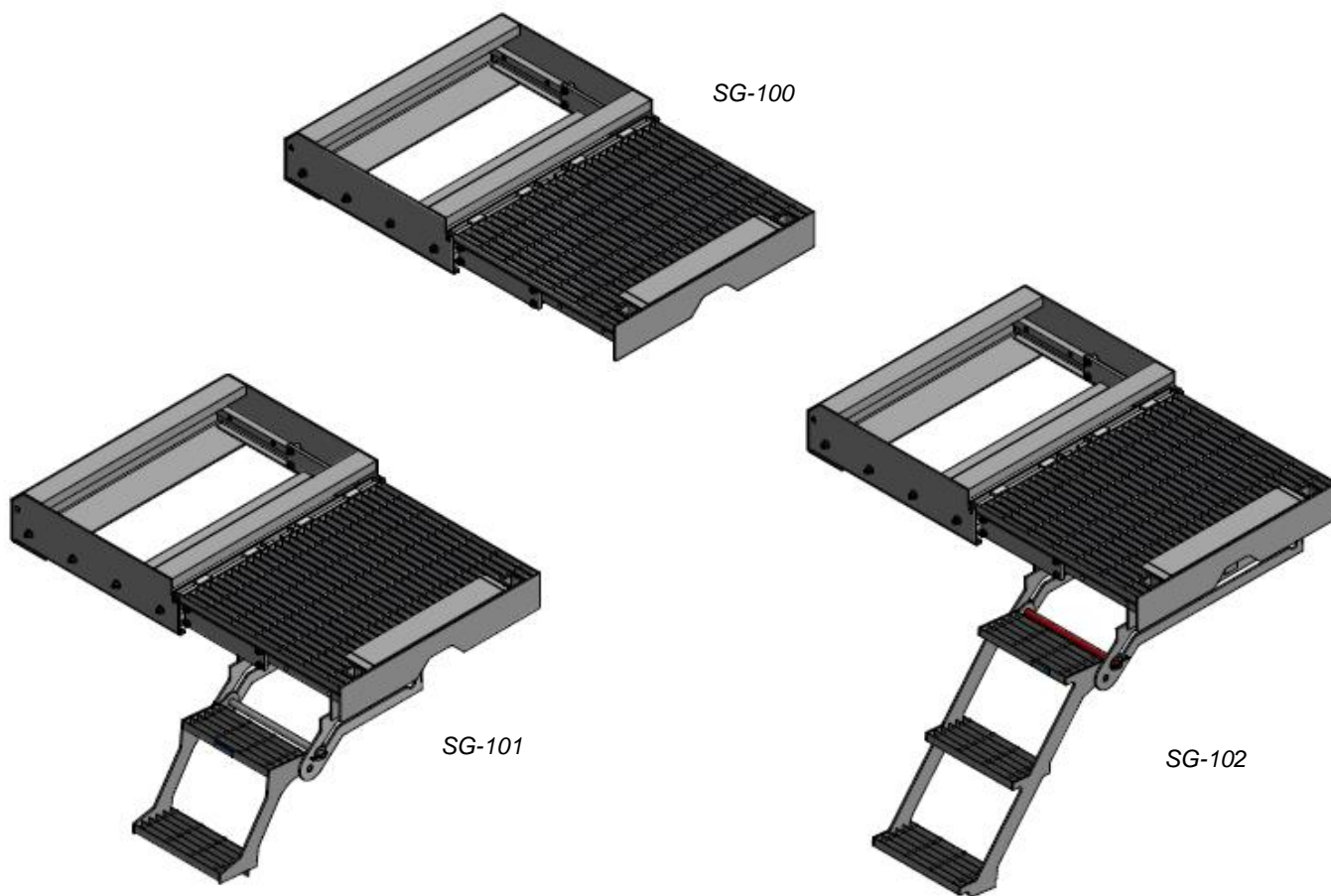


## Bustin Slide & Go Platform SG-100 Series Specification Chart

Part #	Description	Depth	Width	Intended Platform Height	Approx. Weight	Platform Weight Capacity	Step Weight Capacity
SG-100	Platform only	26"	33"	>10"	170 lbs.	600 lbs.	N/A
SG-101	Platform w/ DB0201 2-Step Slide Away			36" - 42"	205 lbs.		350 lbs.
SG-102	Platform w/ DB0202 3-Step Slide Away			44" - 52"	218 lbs.		350 lbs.

Aluminum Platform with Steel Slide Away Steps



## Bustin Slide & Go Platform SG-100 Series Handrails Specification Chart

Part #	Description	Material	Total Width	Total Height	Approx. Weight	
HR001	Slide & Go Guard Rail Assembly	Alum.	28"	42"	10 lbs.	Two Vertical Posts w/ Chain Link
HR002	Slide & Go Rail Assembly w/ Return		39-3/16"	42"	24 lbs.	Welded Assembly, has add'l 90°, 23-1/2" Deep Railing
HR003	Slide & Go Folding Rail Assembly		32"	44"	7.2 lbs.	Folding Rail designed to hook into platform & trailer door
HR004	Slide & Go Rail Assembly w/o Return		36-1/8"	42"	19 lbs.	Welded Assembly w/o add'l 90° Railing

## Bustin Slide & Go Platform SG-200 Series Specification Chart

Part #	Description	Platform Depth	Platform Width	Stair Width	Intended Platform Height	Approx. Weight
SG-200AL	Side Door Platform Left Hand Stairs w/Rail	36-1/2"	43"	30"	36-7/8" – 43-1/4"	400 lbs.
SG-200AR	Side Door Platform Right Hand Stairs w/Rail					

Aluminum Platform with Steel Slide Away Steps

Mounts under trailer

Platform Load Rating: 1,000 lbs.

Step Weight Capacity: 350 lbs.

