

# Bustin Slide & Go Platform Parts Manual



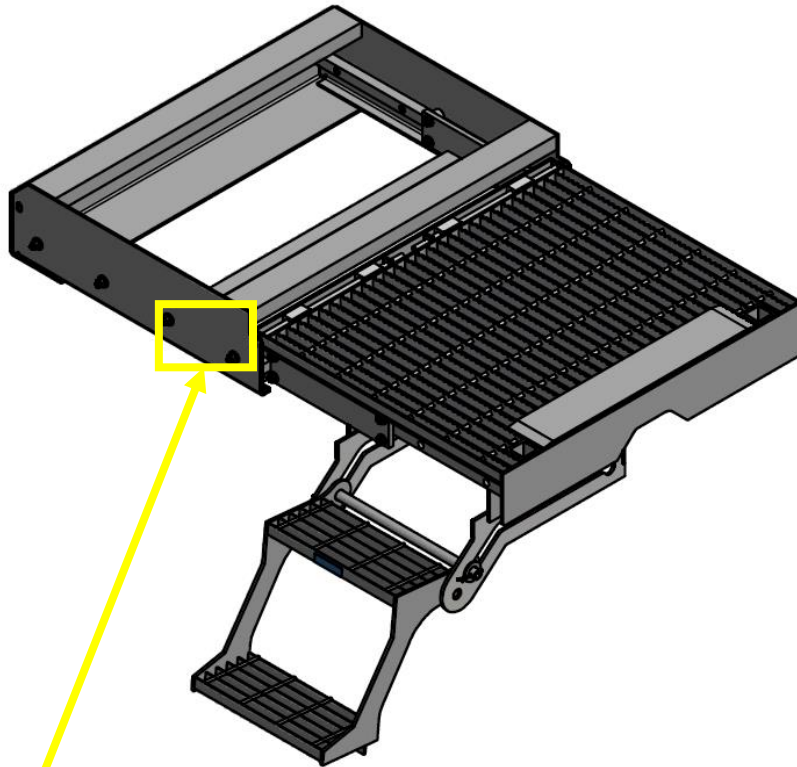
## **Table of Contents**

|                              |   |
|------------------------------|---|
| Serial Number Location ..... | 3 |
| Replacement Parts .....      | 4 |

## Serial Number Location

**PLEASE NOTE:**

Be sure to check the Serial Number before ordering parts.



Serial number located on the front left corner of the platform

## Replacement Parts



For Slide and Go Platform replacement parts inquiries or to place an order please contact your Customer Development Representative at 800-827-3692.