

Bustin TSAP210A Double Deck Platform Parts Manual



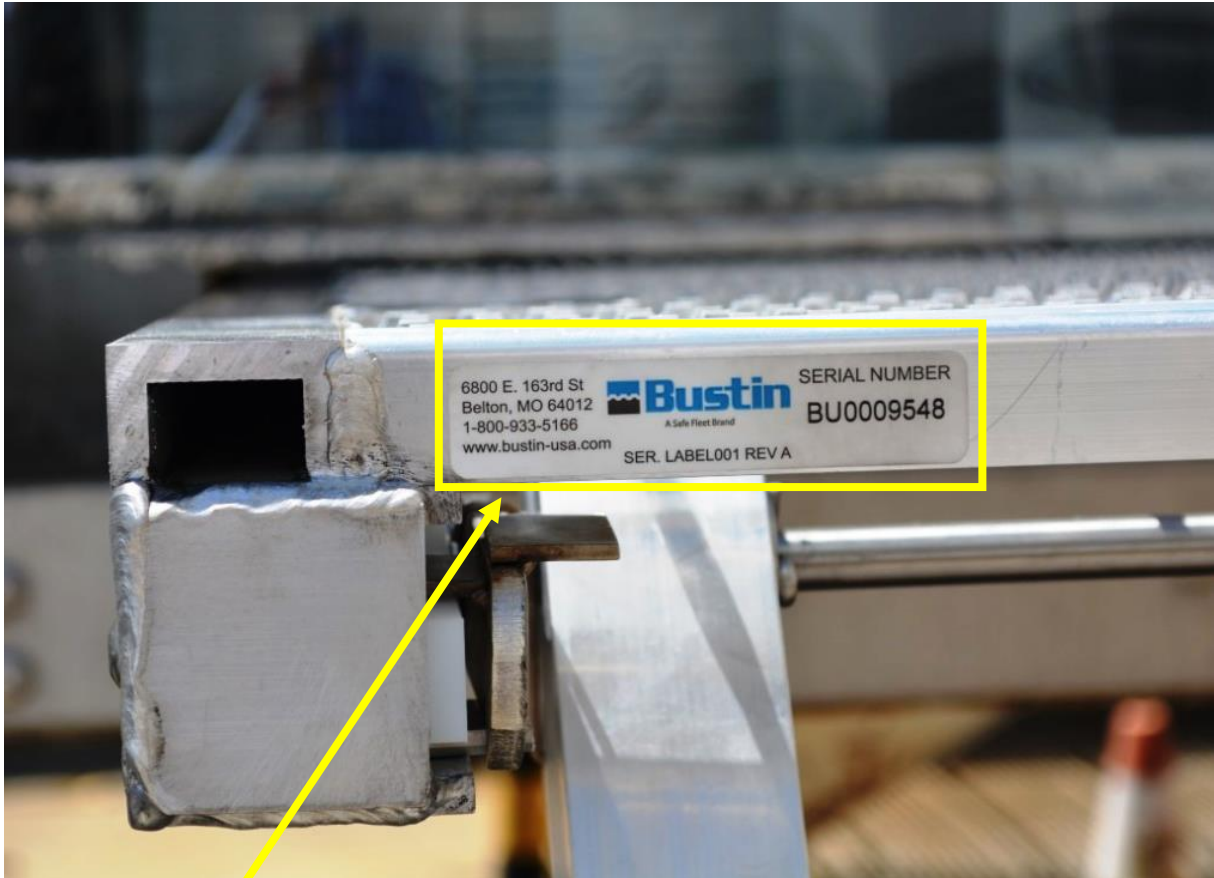
Table of Contents

Serial Number Location	3
Label Kit, TSAP210A	4
Eye Bolt Kit, R04331	5
Flat Spring Kit, R04332	6
Guide Block Kit, R04333	7
Handlebar Kit, R04334	8
Pivot Kit, R04337	9
Safety Catch Kit, R04641	10
Slide Block Kit, Front, R04338	11
Slide Block Kit, Rear, R04339	12
Stairs Kit, TSAP100A, R04340	13
Tie Bar Kit, Stairs, R04341	15
Tread Kit, R04342	16

Serial Number Location

PLEASE NOTE:

Be sure to check the Serial Number before ordering parts.



Serial number located on the front left corner of the platform

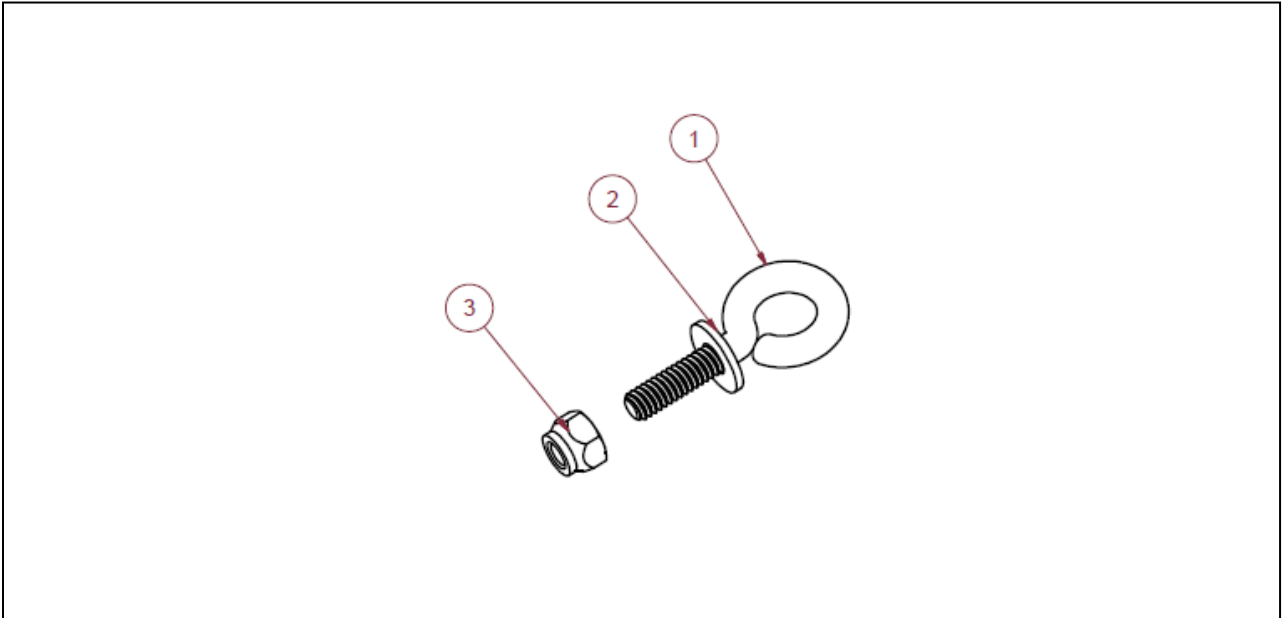
Label Kit TSAP210A



Label Kit - TSAP210A, Part No. R04343

Items #	Part Description	Quantity
1	CAUTION TAPE	2
2	LABEL, WARNING	1
3	PINCH POINT DECAL	2
4	TSAP210A 1,000 LB. LANDING CAPACITY LABEL	2

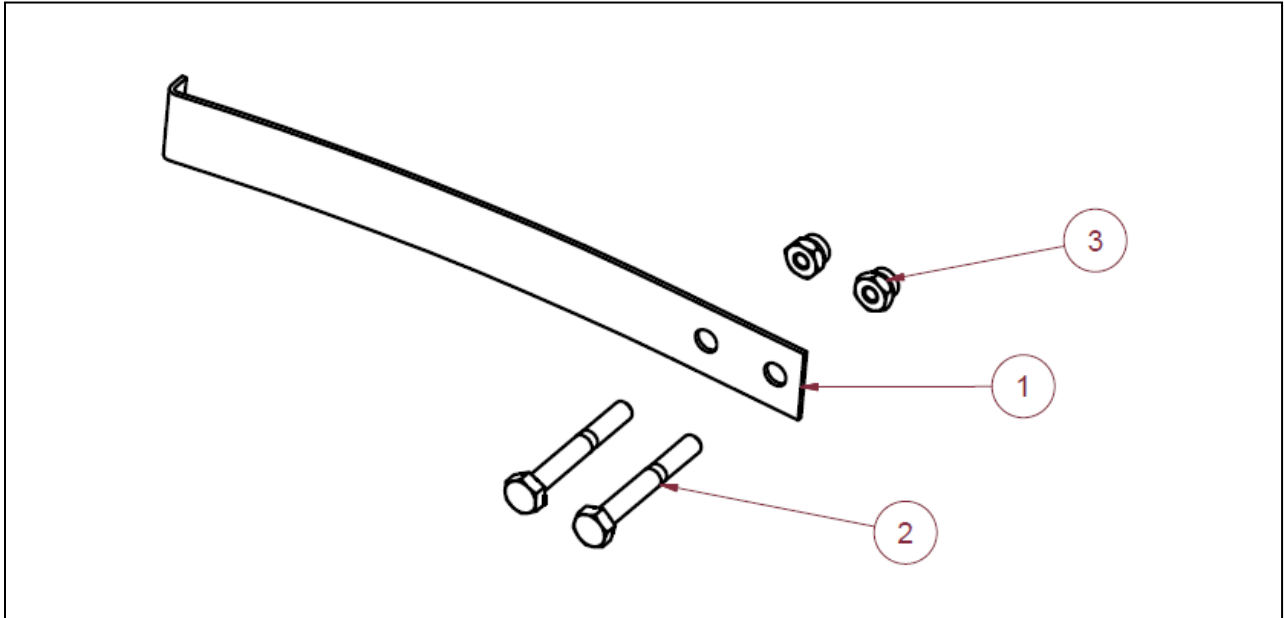
Eye Bolt Kit



Eye Bolt Kit, Part No. R04331

Items #	Part Description	Quantity
1	BOLT EYE 1/4"-20 X 1.0" 304 SS MCM#9489T56	1
2	WASHER FLAT 1/4" USS 18-8 SS	1
3	NUT HEX LOCK NYLON INSERT 1/4"-20 18-8 SS	1

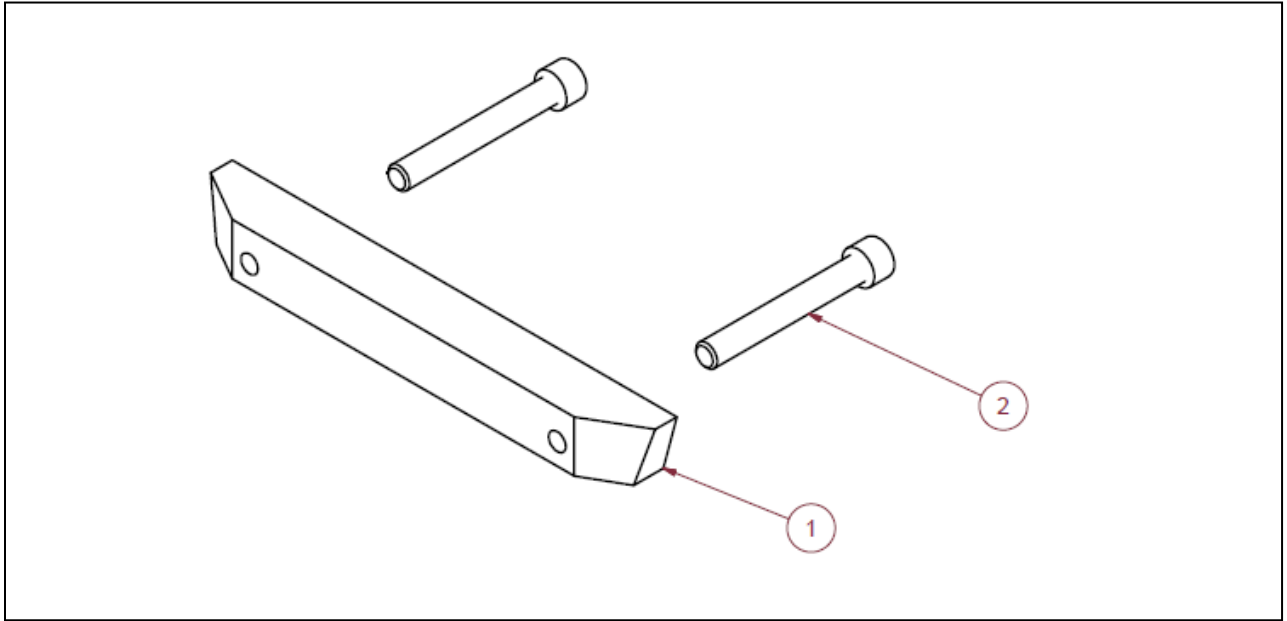
Flat Spring Kit



Flat Spring Kit, Part No. R04332

Items #	Part Description	Quantity
1	SPRING LATCH	1
2	BOLT HHCS 1/4"-20 X 2.0" 18-8 SS	2
3	NUT HEX LOCK NYLON INSERT 1/4"-20 18-8 SS	2

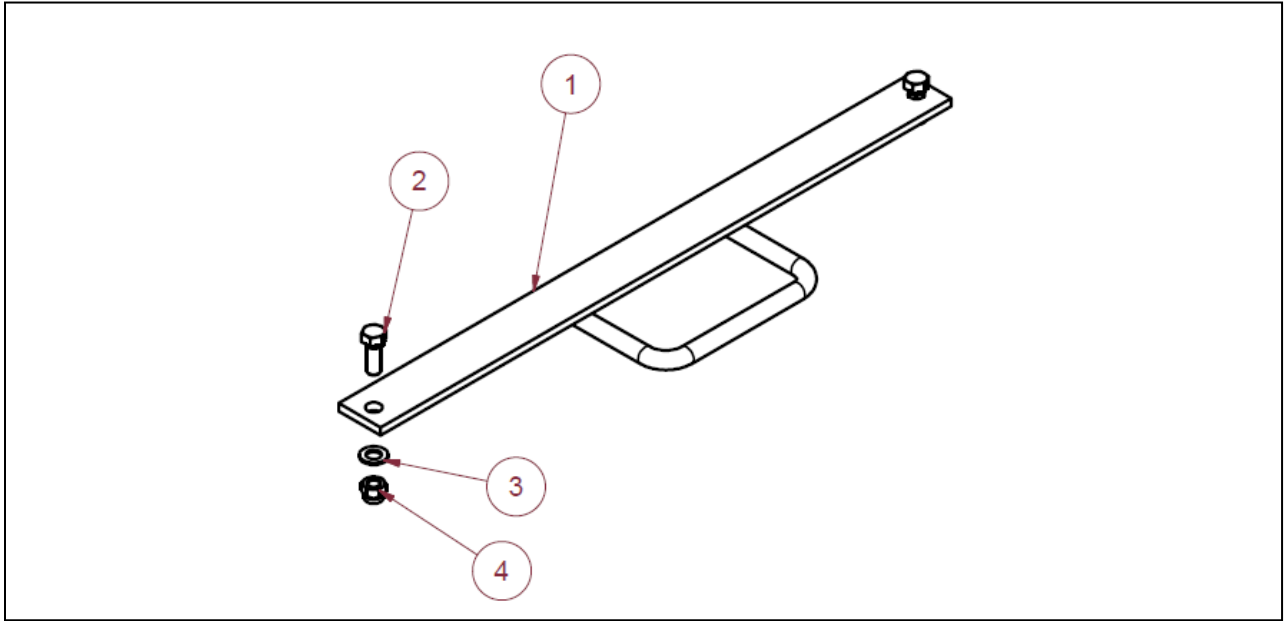
Guide Block Kit



Guide Block Kit, Part No. R04333

Items #	Part Description	Quantity
1	TSAP HANGER/GUIDE	1
2	BOLT SHCS 5/16-18 X 2.25" 18-8 SS W/ PATCH	2

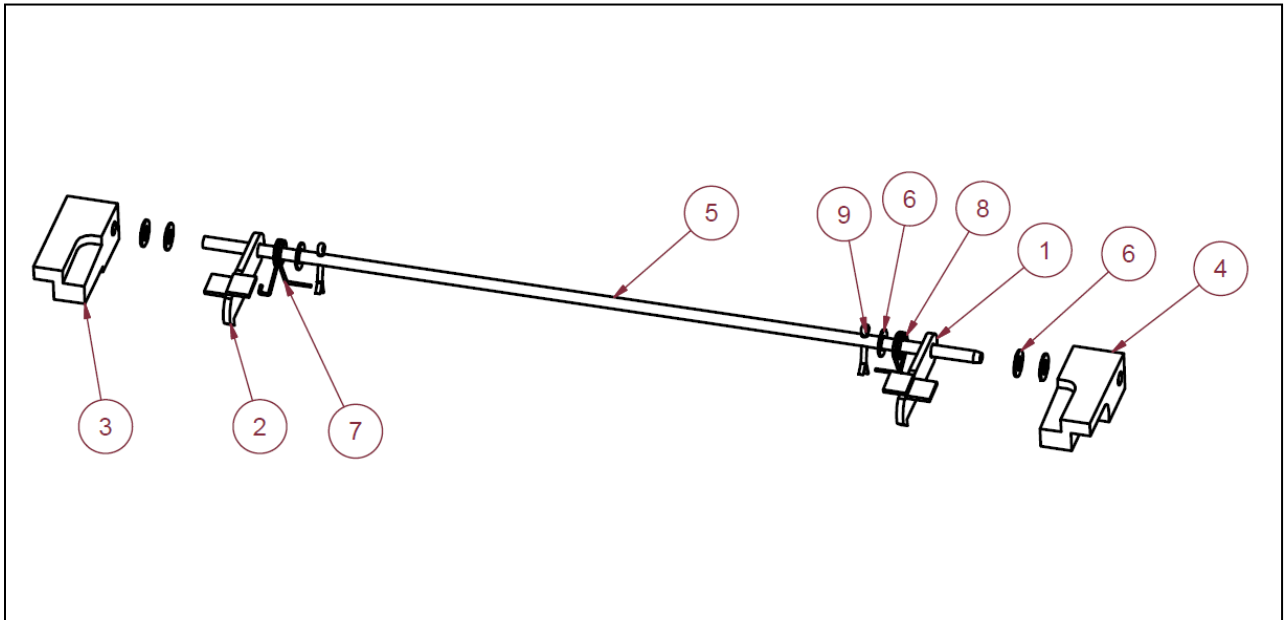
Handlebar Kit



Handlebar Kit, Part No. R04334

Items #	Part Description	Quantity
1	TIE BAR AND GRAB HANDLE WELDED	1
2	BOLT HHCS 3/8"-16 X 1.0 18-8 SS	2
3	WASHER FLAT 3/8" USS 18-8 SS	2
4	NUT HEX LOCK NYLON INSERT 3/8"-16 18-8 SS	2

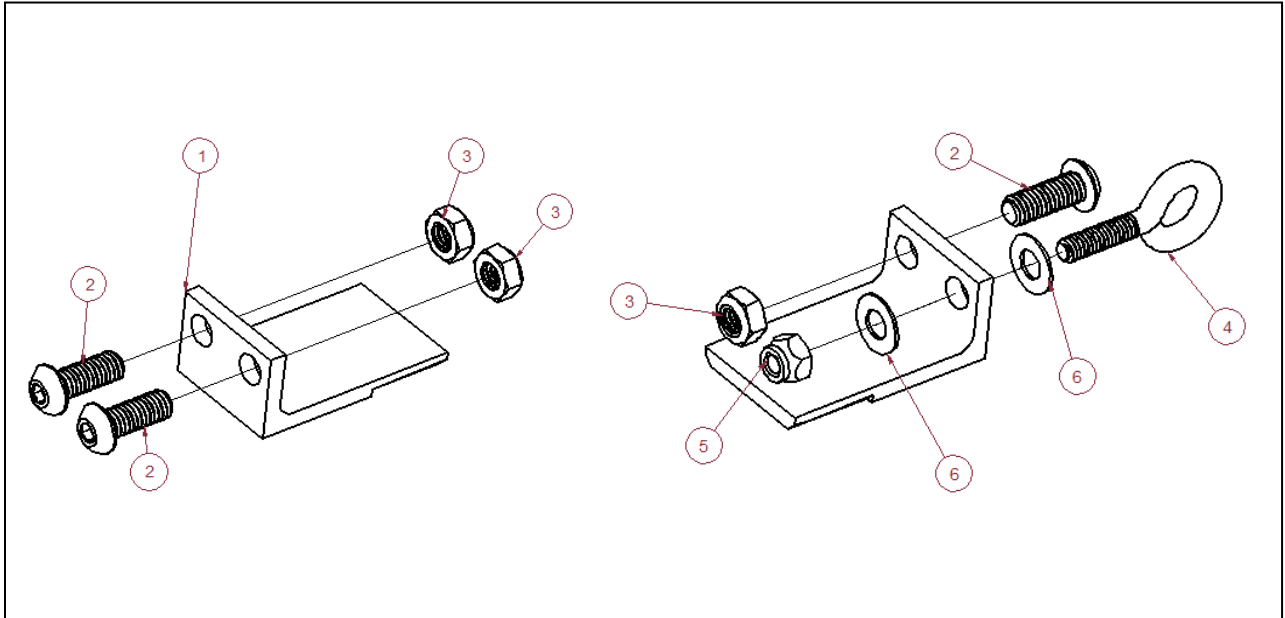
Pivot Kit



Pivot Kit, Part No. R04337

Items #	Part Description	Quantity
1	SS STAIR LATCH RH	1
2	SS STAIR LATCH LH	1
3	UHMW STAIR SLIDE - LH	1
4	UHMW STAIR SLIDE - RH	1
5	SS PIVOT ROD 1/2" DIA. X 30	1
6	WASHER FLAT 1/2" USS 18-8 SS	6
7	TORSION SPRING TWO STAGE TAP LATCH LH	1
8	TORSION SPRING TWO STAGE TAP LATCH RH	1
9	COTTER PIN 3/16 X 1-1/2" 18-8 SS	2

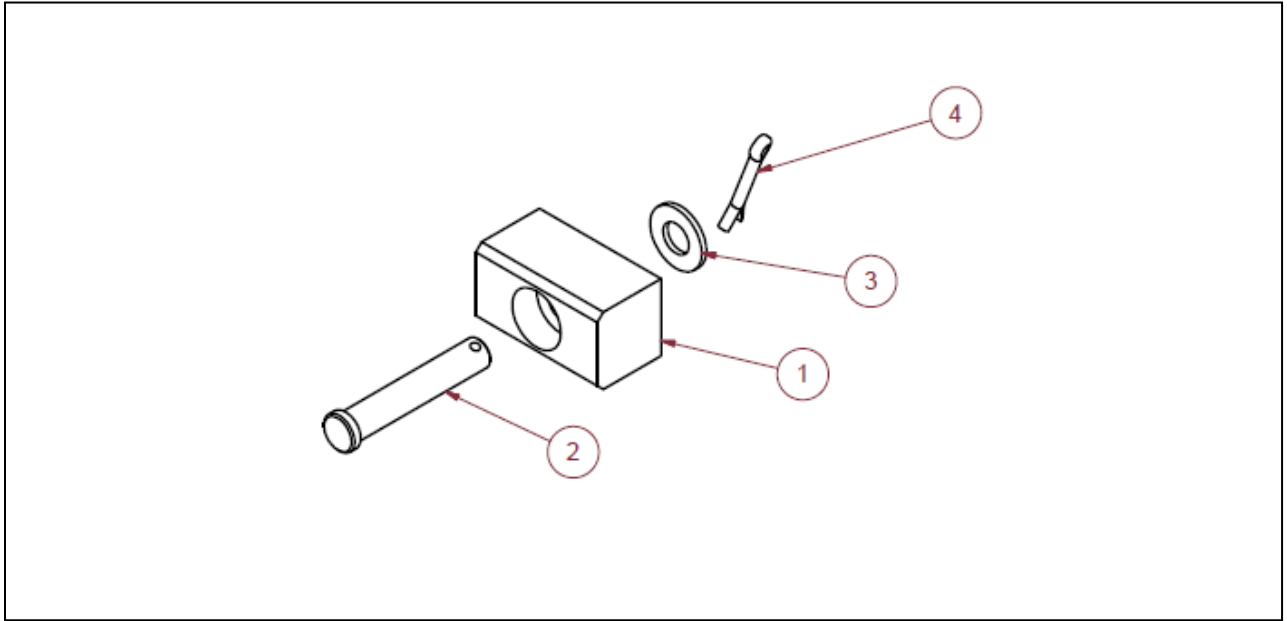
Safety Catch Kit



Safety Catch Kit, Part No. R04641

Items #	Part Description	Quantity
1	LADDER DEPLOYMENT CATCH, TSAP	2
2	BOLT BHCS 5/16"-18 X 7/8 ZP	3
3	NUT 5/16-18 LOW PROFILE NYLOCK ZP	3
4	BOLT EYE 1/4-20 X 1.0 304 SS	1
5	NUT HEX LOCK NYLON INSERT 1/4- 20 18-8 SS	1
6	WASHER FLAT 1/4 U SS 18-8 SS	2

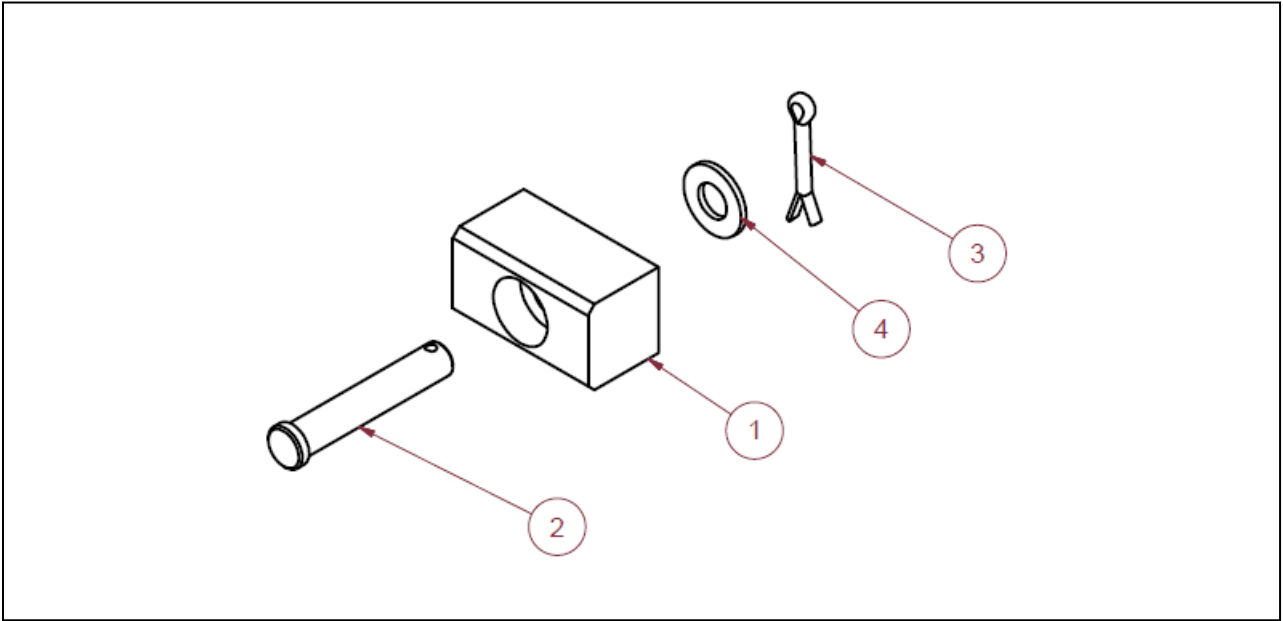
Slide Block Kit, Front



Slide Block Kit, Front, Part No. R04338

Items #	Part Description	Quantity
1	NYLON 6/6 SLIDE BLOCK	1
2	1/2" DIA CLEVIS PIN X 2-3/4" 18-8 SS	1
3	WASHER FLAT 1/2" USS 18-8 SS	1
4	5/32 X 1/4" COTTER PIN 18-8 SS	1

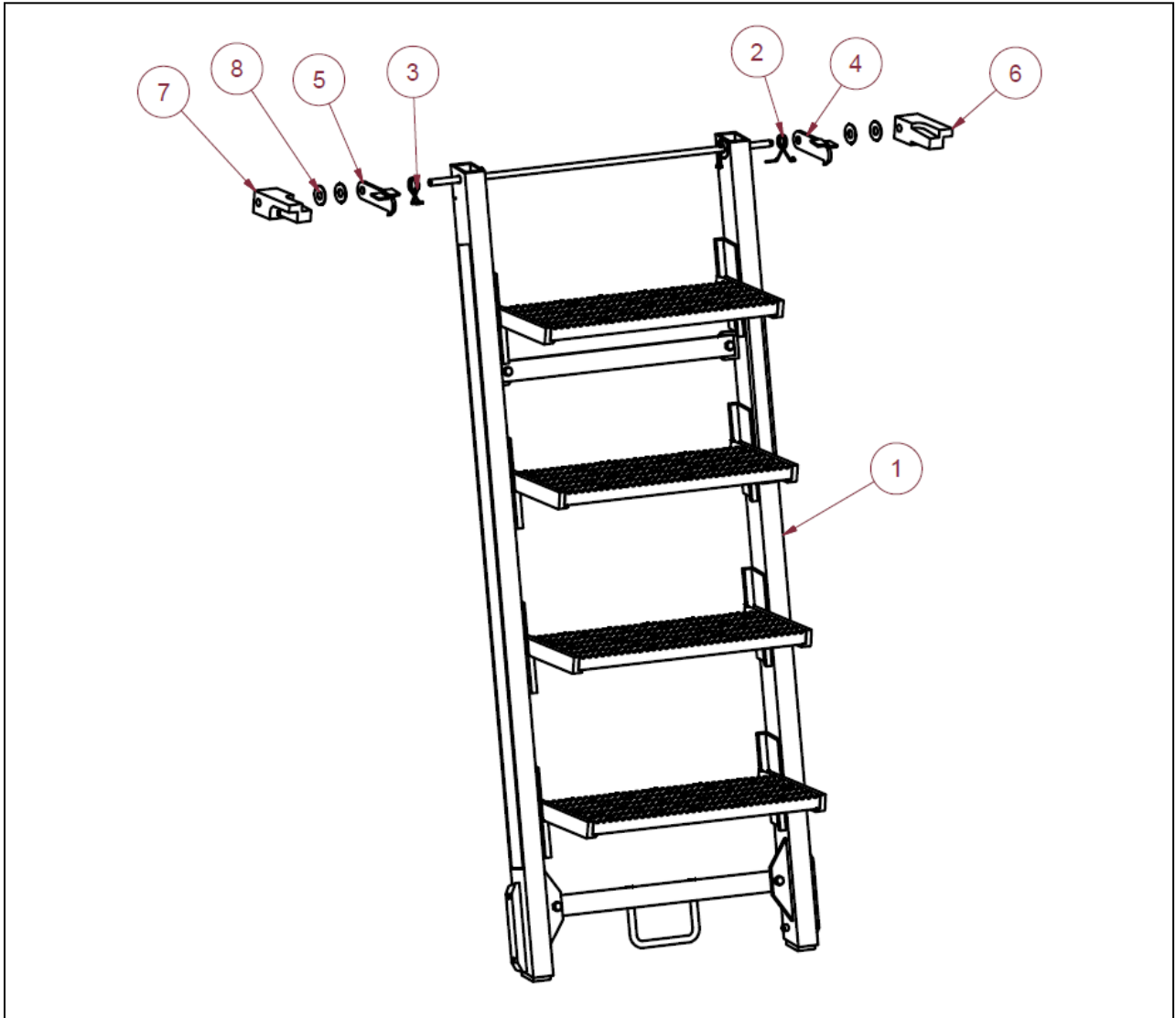
Slide Block Kit, Rear



Slide Block Kit, Rear, Part No. R04339

Items #	Part Description	Quantity
1	UHMW SLIDE BLOCK	1
2	1/2" DIA CLEVIS PIN X 2-3/4" 18-8 SS	1
3	WASHER FLAT 1/2" USS 18-8 SS	1
4	5/32 X 1/4" COTTER PIN 18-8 SS	1

Stairs Kit, TSAP210A

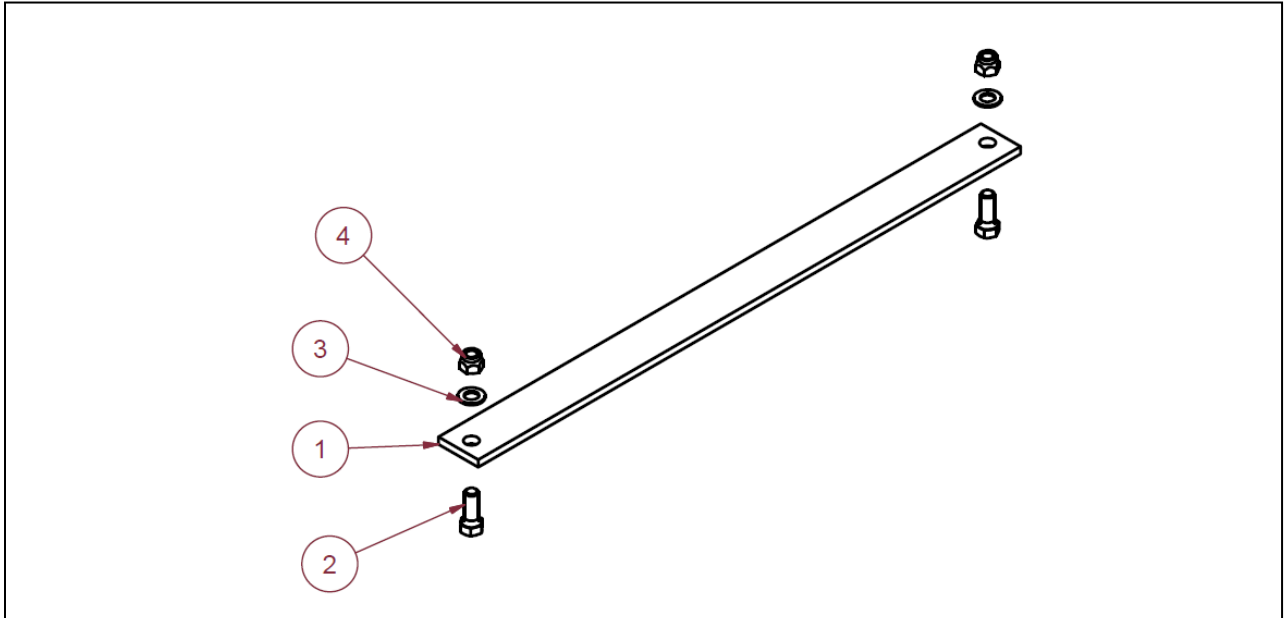


ProduStairs Kit, TSAP210A, Part No. R04340

Items #	Part Description	Quantity
1	STAIRWAY ASSEMBLY, TSAP210A	1
2	TORSION SPRING TWO STAGE TAP LATCH - RH	1
3	TORSION SPRING TWO STAGE TAP LATCH - LH	1

Items #	Part Description	Quantity
4	SS STAIR LATCH - RH	1
5	SS STAIR LATCH - LH	1
6	UHMW STAIR SLIDE - RH	1
7	UHMW STAIR SLIDE - LH	1
8	WASHER FLAT 1/2" USS 18-8 SS	4

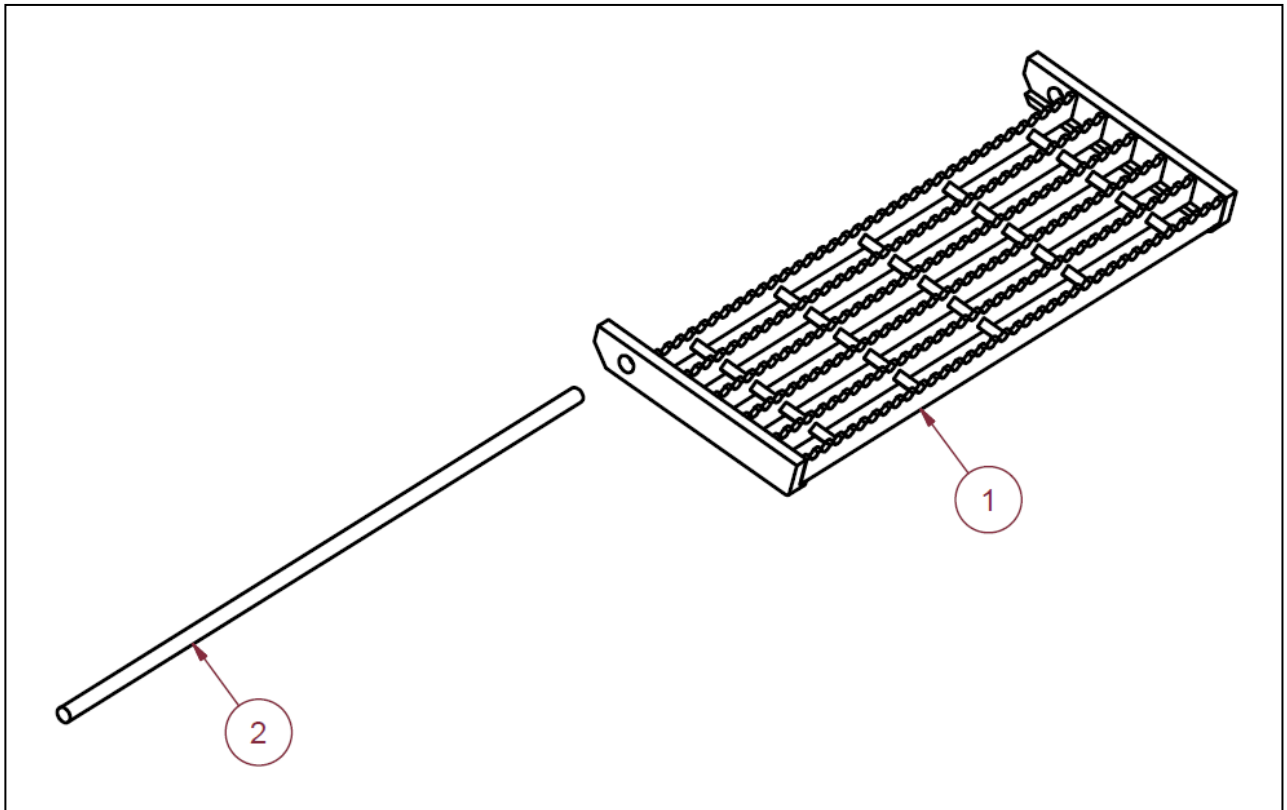
Tie Bar Kit, Stairs



Tie Bar Kit, Stairs, Part No. R04341

Items #	Part Description	Quantity
1	TIE BAR	1
2	BOLT HHCS 3/8"-16X1.0 18-8 SS	2
3	3/8" FLAT WASHER	2
4	NUT HEX LOCK NYLON INSERT 3/8"-16 18-8SS	2

Tread Kit



Tread Kit, Part No. R04342

Items #	Part Description	Quantity
1	STAIR TREAD ASSEMBLY	1
2	ROUND 1/2" x 24 3/8"	1