

Bustin TAP200A Platform Parts Manual



Table of Contents

Serial Number Location	3
Label Kit, TAP200A	4
Clevis Pin	5
Flat Spring Kit	6
Pull Strap Kit	7
Stairs Kit, TAP200A	8
Stop Screw Kit	9
Stop Screw Kit	10
Tie Bar Kit, Stairs	11
Tread Kit	12

Serial Number Location

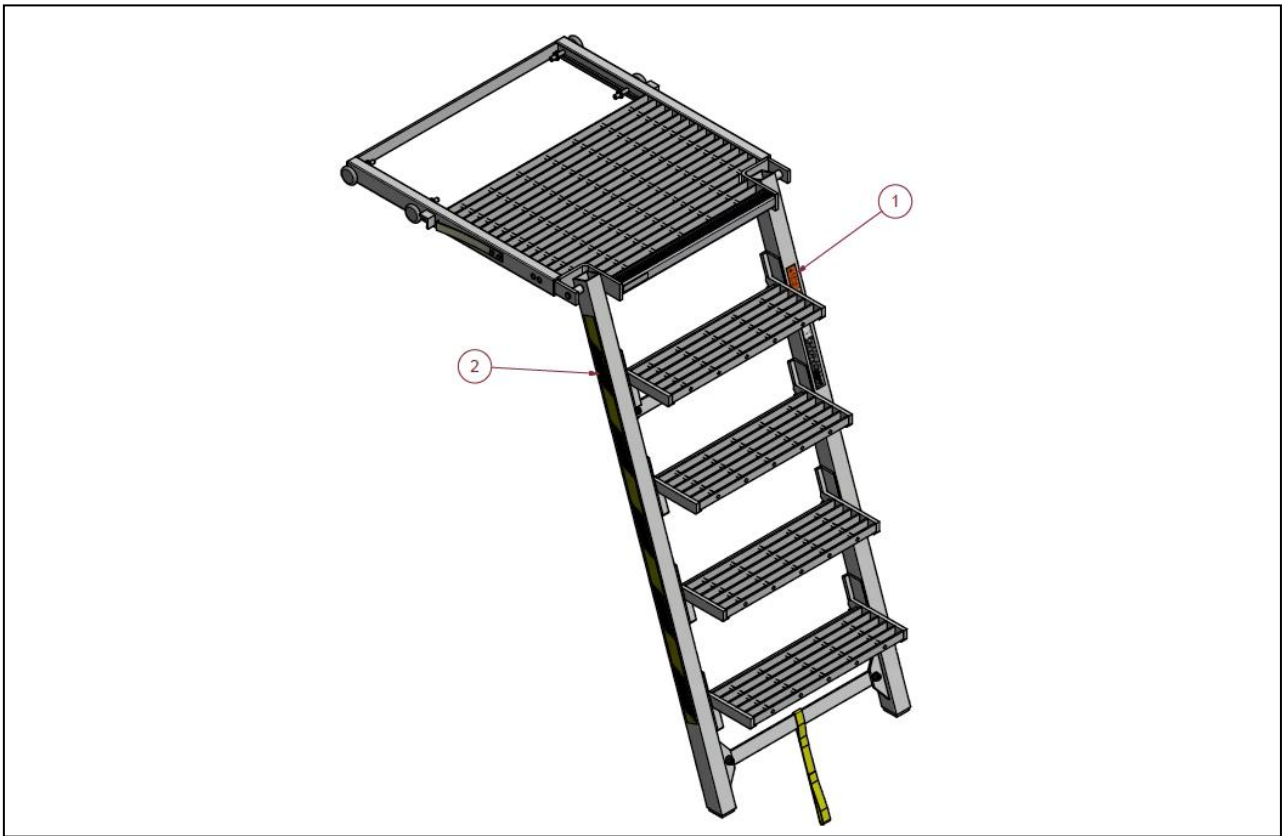
PLEASE NOTE:

Be sure to check the Serial Number before ordering parts.



Serial number located on the front left corner of the platform

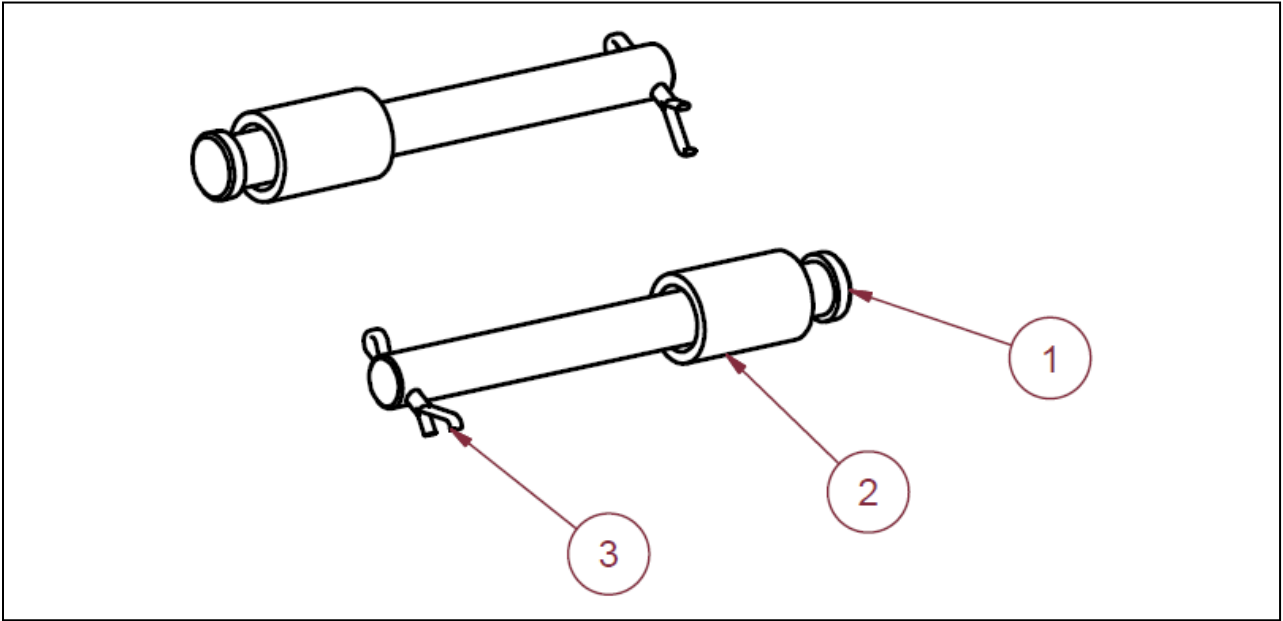
Label Kit for TAP200A



Label Kit for TAP200A, Part No. R04313

Items #	Part Description	Quantity
1	LABEL, WARNING	1
2	CAUTION TAPE	2

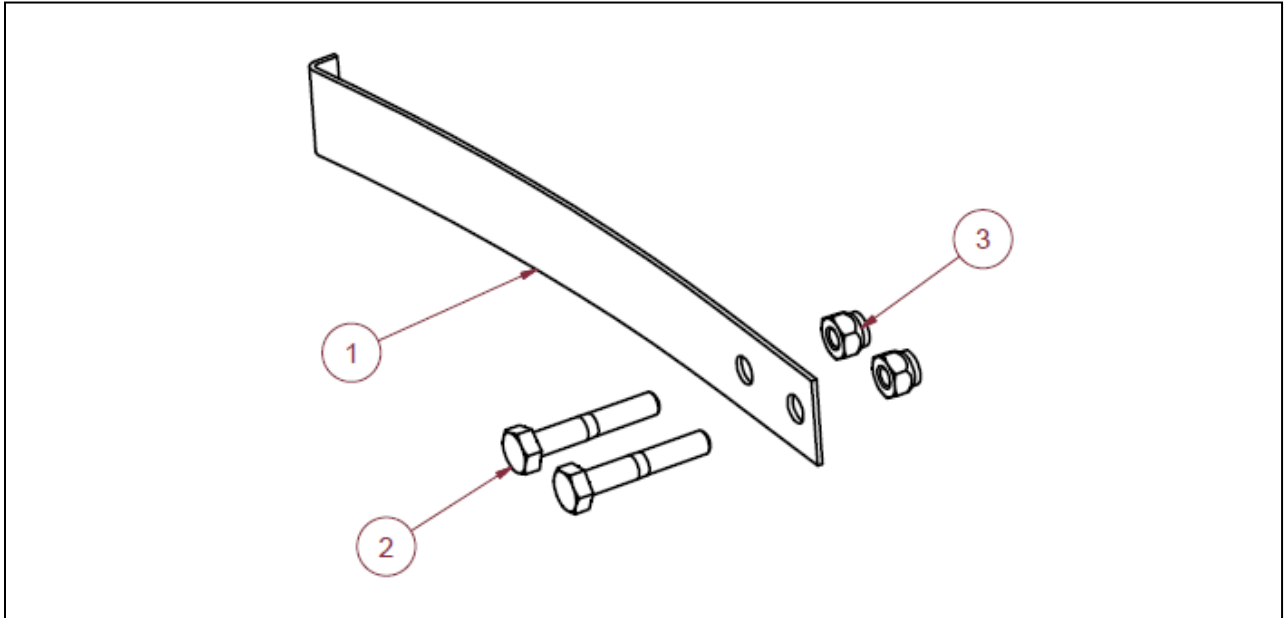
Clevis Pin



Clevis Pin, Part No. R04345

Items #	Part Description	Quantity
1	CLEVIS PIN ZP 1/2" X 4-3/4" USABLE W/ 1/8" CP	2
2	SPACER PIPE - ALUMINUM	2
3	1/8" X 1-1/4" HAMMER LOCK COTTER PIN	2

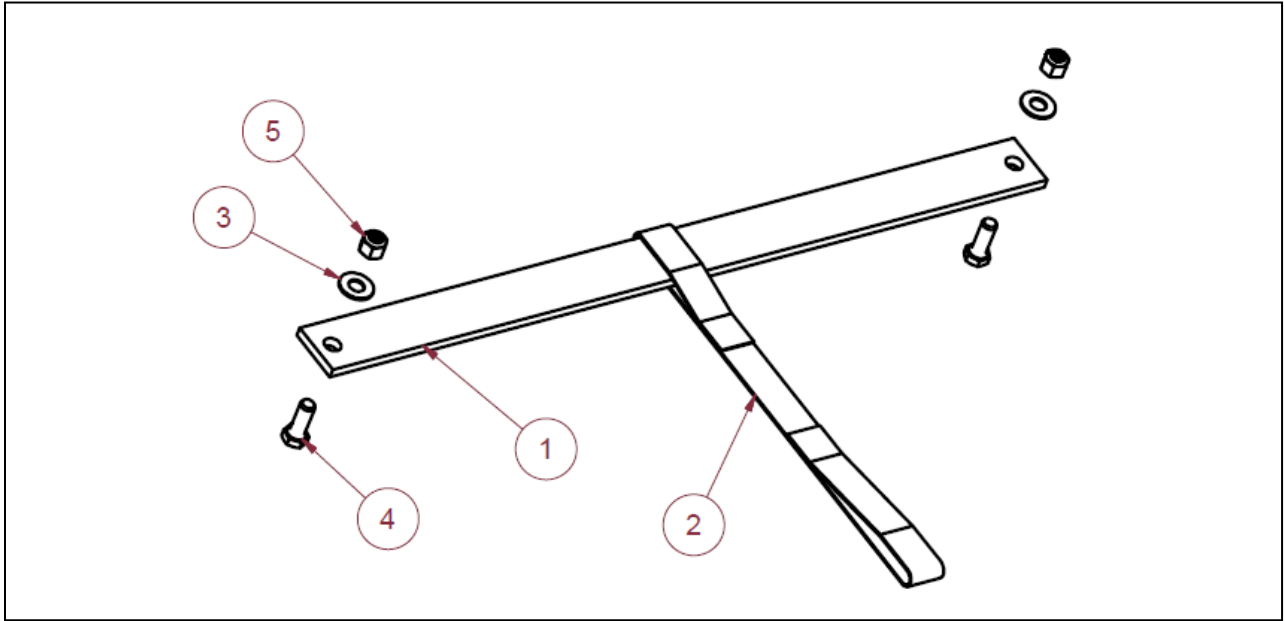
Flat Spring Kit



Flat Spring Kit, Part No. R04346

Items #	Part Description	Quantity
1	SPRING LATCH	1
2	BOLT HHCS 1/4"-20 X 1-1/2" 18-8 SS	2
3	NUT HEX LOCK NYLON INSERT 1/4"-20 18-8 SS	2

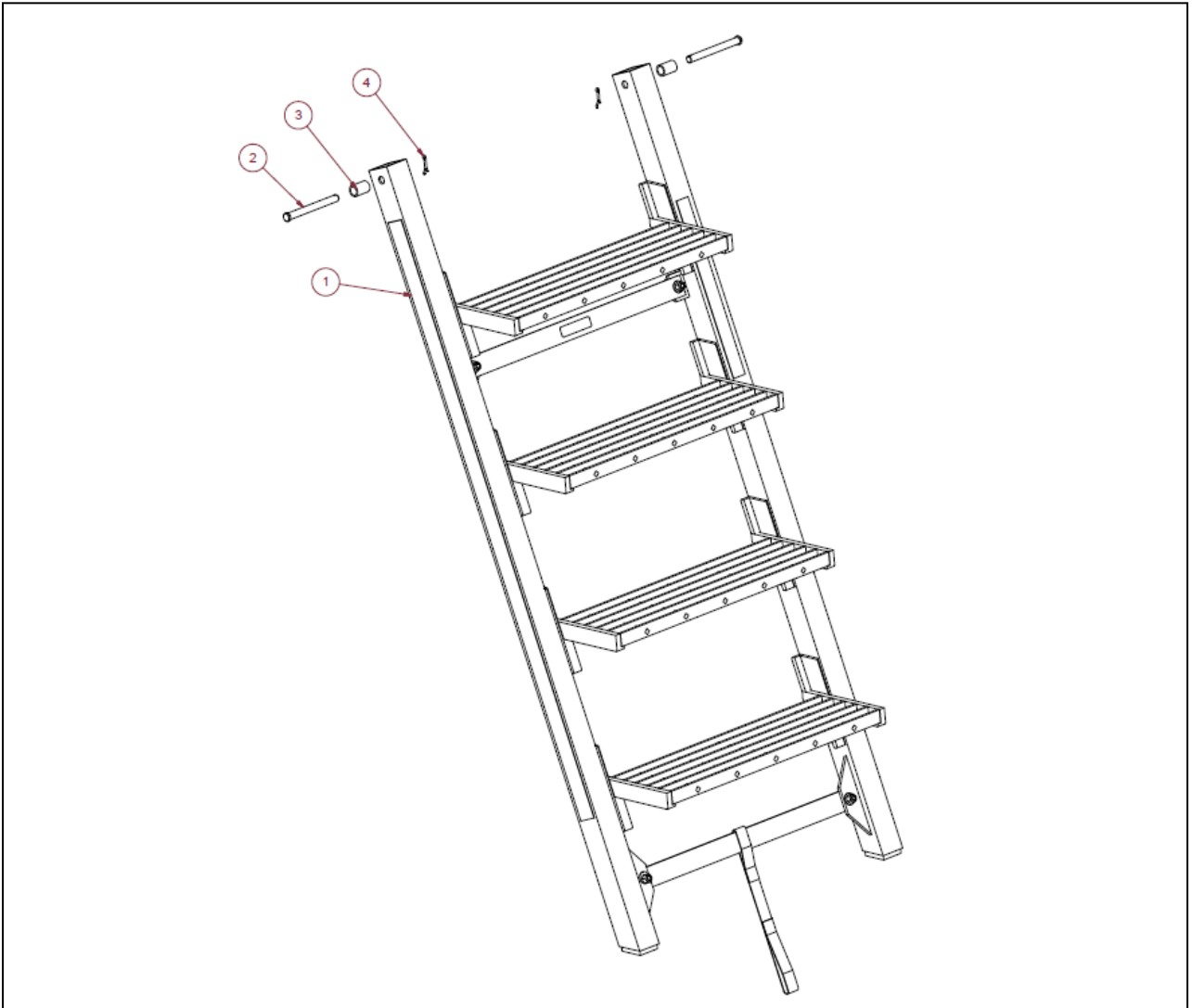
Pull Strap Kit



Pull Strap Kit, Part No. R04347

Items #	Part Description	Quantity
1	TIE BAR	1
2	NYLON PULL STRAP	1
3	WASHER FLAT 3/8 USS 18-8 SS	2
4	BOLT HHCS 3/8"-16 X 1.0 18-8 SS	2
5	NUT HEX LOCK NYLON INSERT 3/8"-16 18-8 SS	2

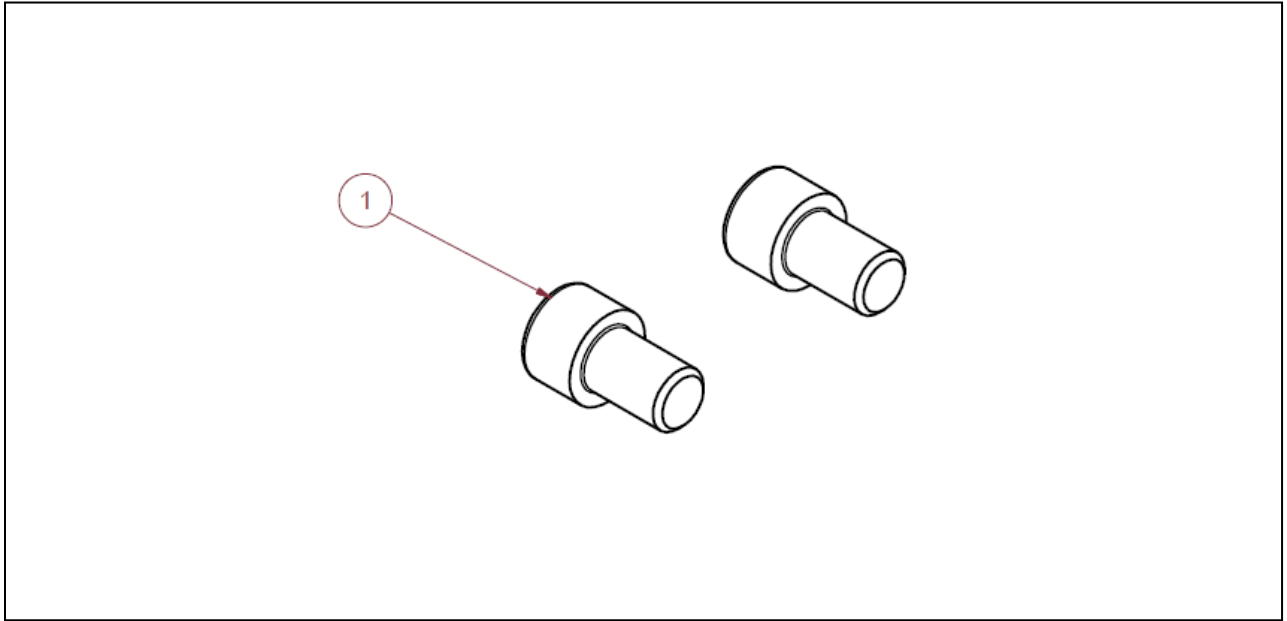
Stairs Kit, TAP200A



Stairs Kit, TAP200A, Part No. R04348

Items #	Part Description	Quantity
1	STAIRWAY ASSEMBLY	1
2	CLEVIS PIN ZP 1/2" X 4-3/4" USABLE W/ 1/8" CP	2
3	SPACER PIPE - ALUMINUM	2
4	1/8" X 1-1/4" HAMMER LOCK COTTER PIN	2

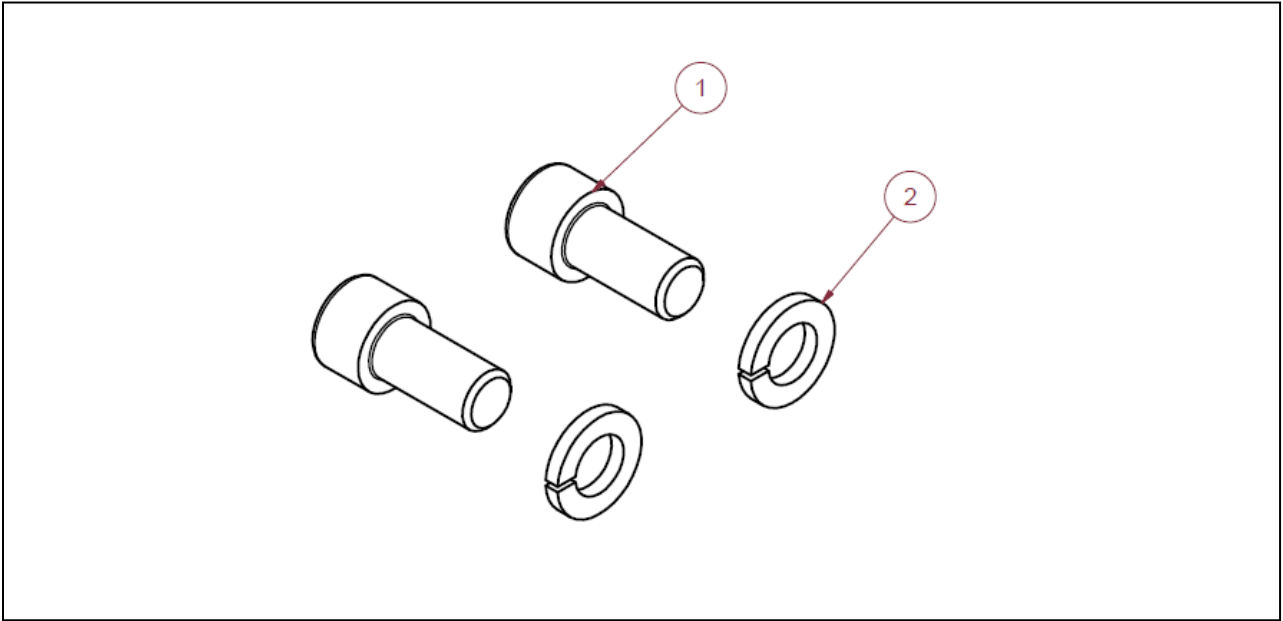
Stop Screw Kit



Stop Screw Kit, Part No. R04349

Items #	Part Description	Quantity
1	BOLT SHCS 1/2"-13 X 3/4" 18-8 SS	2

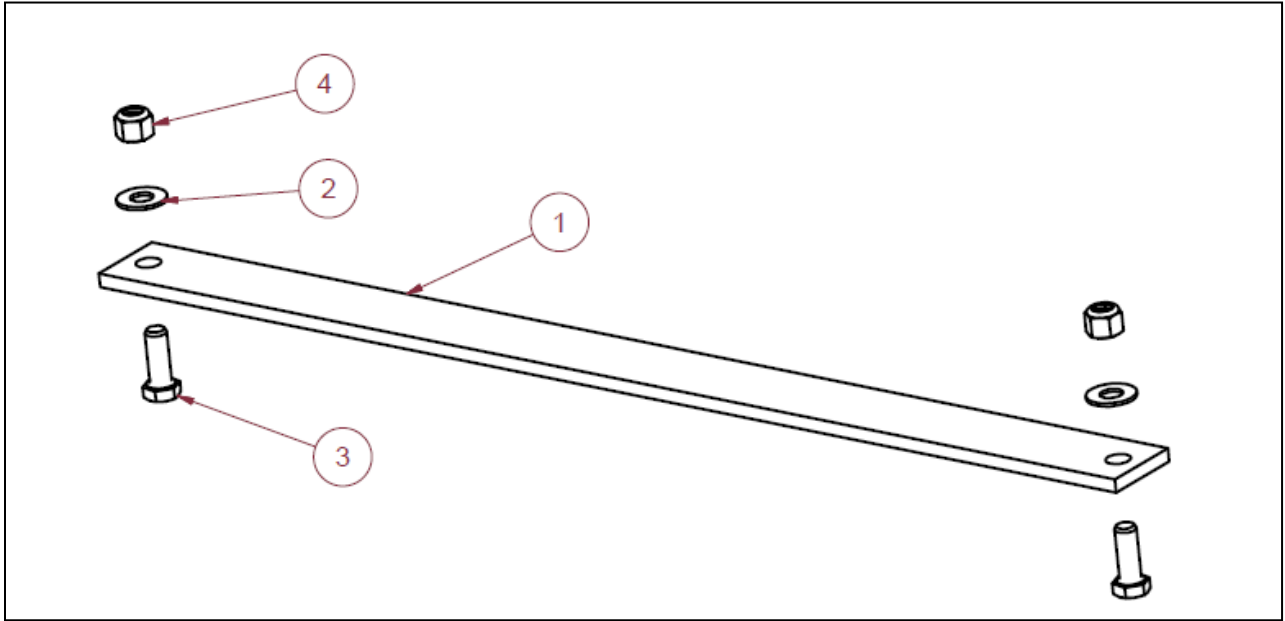
Stop Screw Kit



Stop Screw Kit, Part No. R04370

Items #	Part Description	Quantity
1	BOLT SHCS 1/2"-13 X 1.0 18-8 SS	2
2	WASHER SPLIT LOCK 1/2" 18-8 SS	2

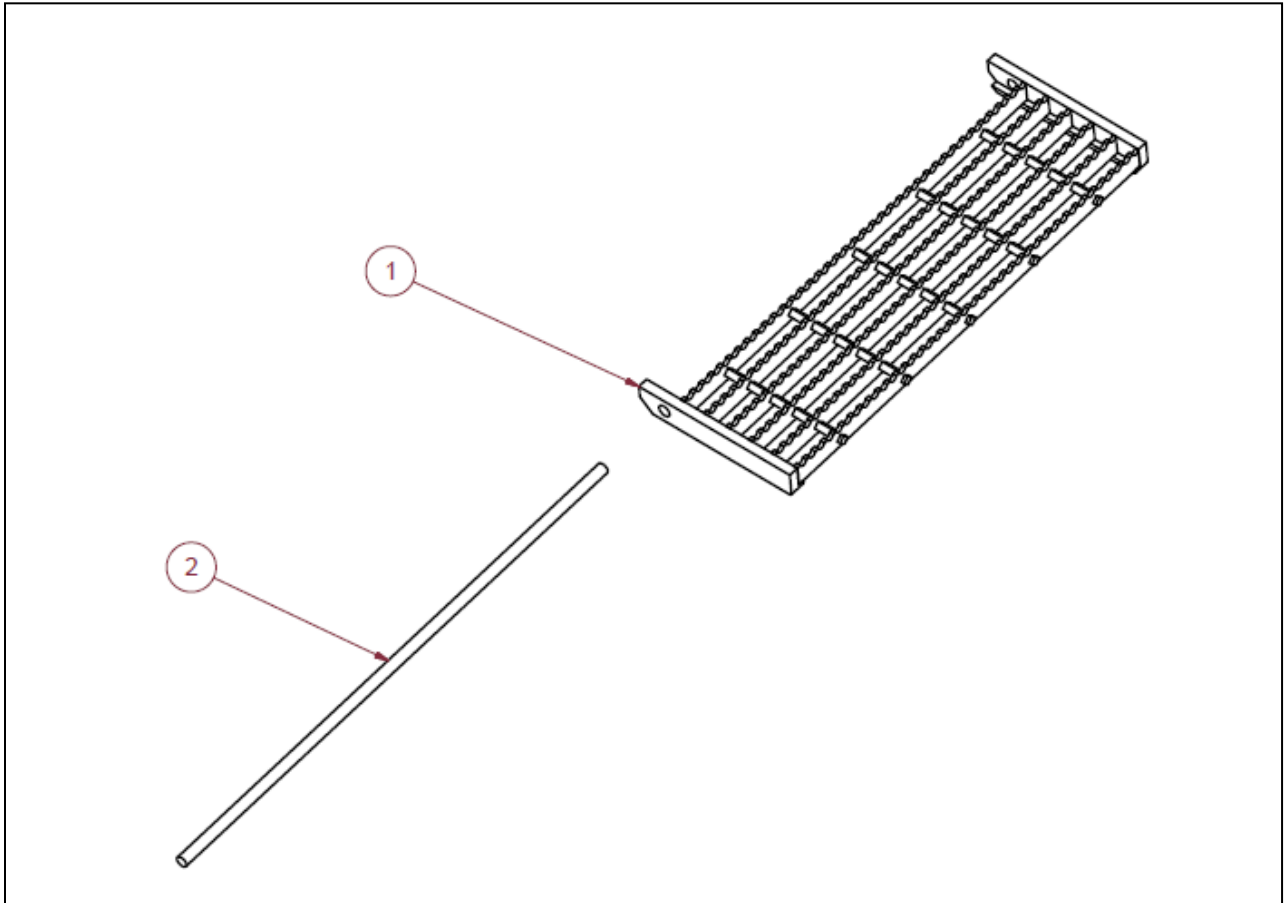
Tie Bar Kit, Stairs



Tie Bar Kit, Stairs, Part No. R04344

Items #	Part Description	Quantity
1	TIE BAR	1
2	3/8" FLAT WASHER	2
3	BOLT HHCS 3/8"-16X1.0 18-8 SS	2
4	NUT HEX LOCK NYLON INSERT 3/8"-16 18-8SS	2

Tread Kit



Tread Kit, Part No. R04350

Items #	Part Description	Quantity
1	STAIR TREAD SUB ASSEMBLY	1
2	1/2" DIA. PIVOT ROD FOR TAP200 STAIRWAY	1