



R·O·M & Randall Ramp Carriers Parts Manual

Includes Carriers for:

R·O·M Roadwarrior Ramp

Randall Straight Ramp

R·O·M Sidekick Ramp

Randall Folding Ramp

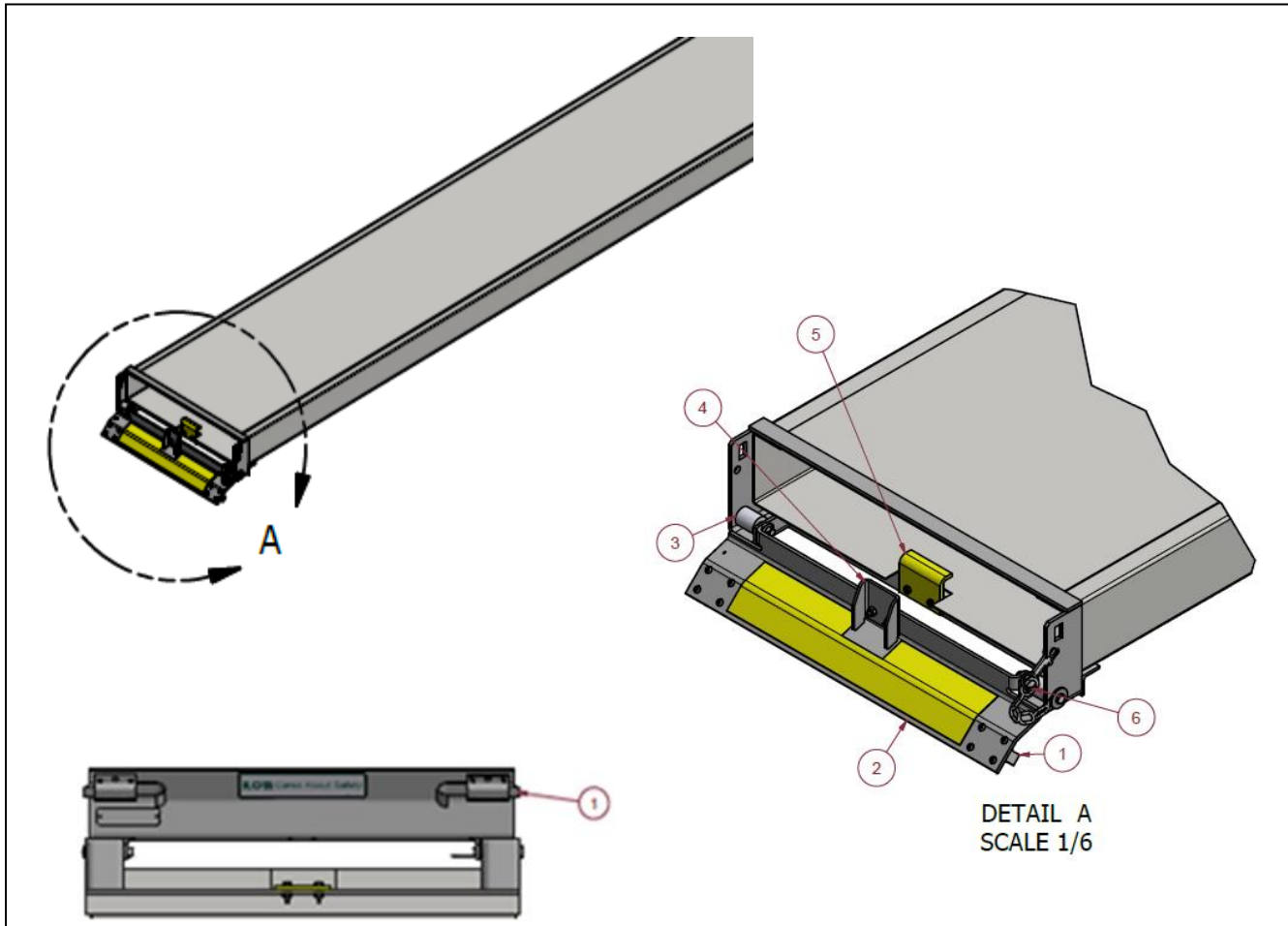
Table of Contents

R•O•M Roadwarrior & Randall Straight Ramp Carrier.....	3
Carrier Parts Kits	4
Carrier Door Latch Kit	5
Carrier Latch & Door Assembly.....	6
Carrier Roller Replacement Kit	7
Carrier Stop Kit (Standard).....	8
Carrier Stop Kit for Lift Assist (LA).....	9
Carrier Safety Chain – Retrofit Kit.....	10
Carrier Conversion Kit for a Bustin Carrier to hold a R•O•M Roadwarrior Ramp	11
Carrier Conversion Kit for a Bustin Carrier to hold a R•O•M Roadwarrior Ramp w/Lift Assist	12
R•O•M Sidekick & Randall Folding Ramp Carrier	13
Carrier Door Sub-Assembly.....	14
Carrier Door Latch Kit	15
Slide Plate Replacement Kit	16
Stop Bracket Replacement Kit	17

R·O·M RoadwarriorR & Randall Straight Ramp Carrier

Carrier Parts Kits

For R·O·M RoadwarriorR & Randall Straight Ramp



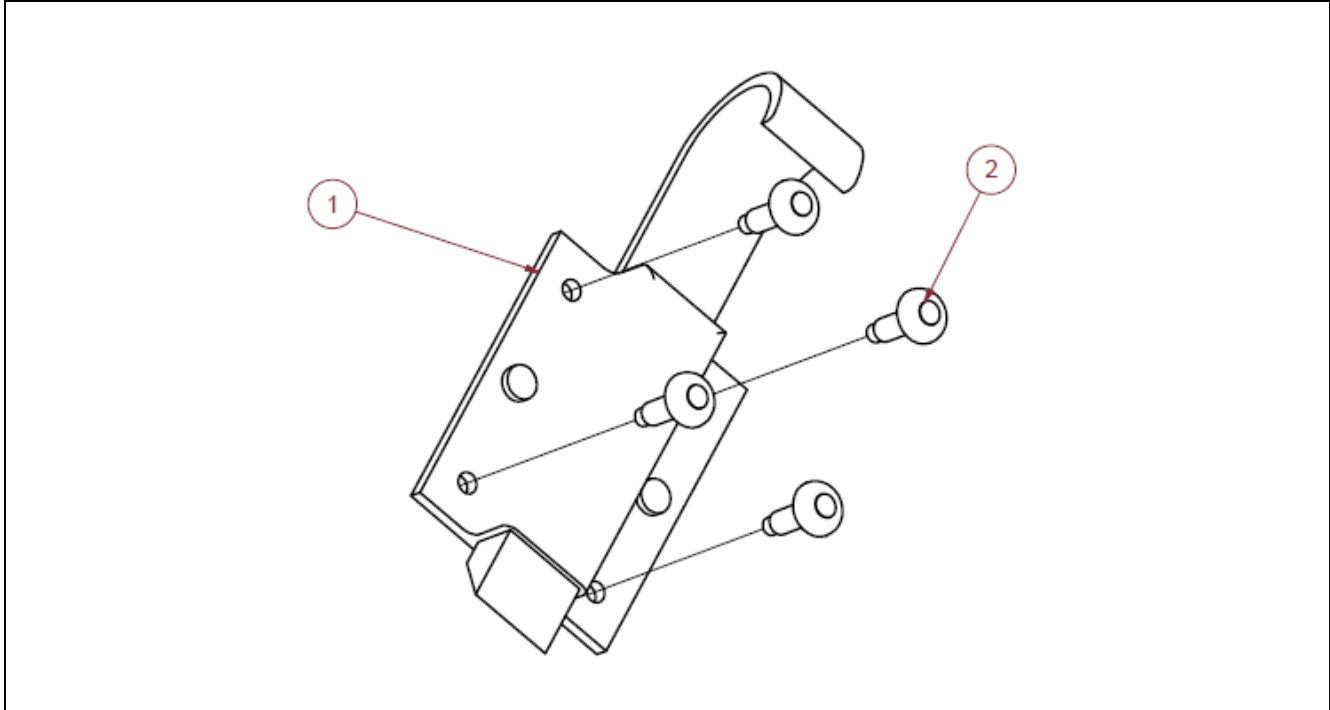
Carrier Parts Kits

for R·O·M RoadwarriorR & Randall Straight Ramp

Item #	Part Description	Page #
1	CARRIER DOOR LATCH KIT	38
2	CARRIER LATCH & DOOR ASSEMBLY	39
3	CARRIER ROLLER REPLACEMENT KIT	40
4	CARRIER STOP KIT (STANDARD)	41
5	CARRIER STOP KIT FOR LIFT ASSIST (LA)	42
6	CARRIER SAFETY CHAIN – RETROFIT KIT	43

Carrier Door Latch Kit

For R•O•M RoadwarrioR & Randall Straight Ramp



Carrier Door Latch Kit

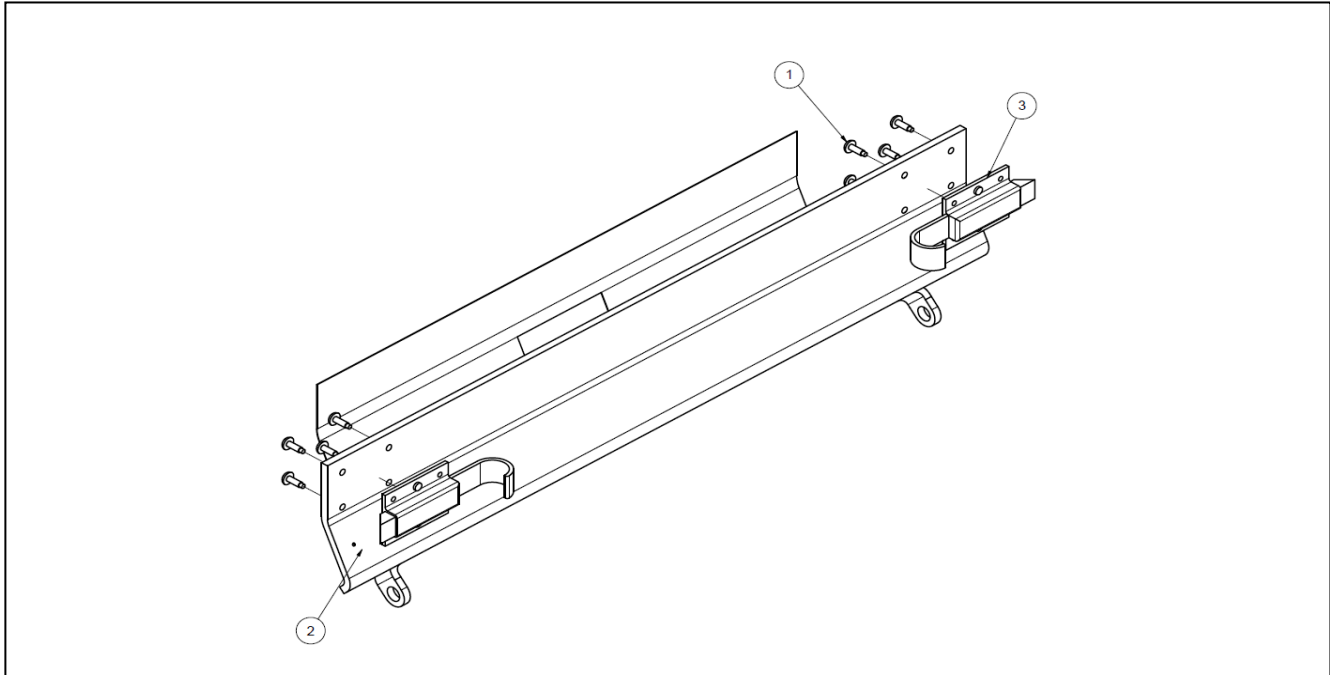
for R•O•M RoadwarrioR & Randall Straight Ramp

Part No. R04281

Item #	Part Description	Quantity
1	FINGER BOLT LATCH	1
2	RIVET SS 3/16" GRIP .214-.437 STRL	4

Carrier Latch & Door Assembly

For R·O·M RoadwarriorR & Randall Straight Ramp



Carrier Latch & Door Assembly

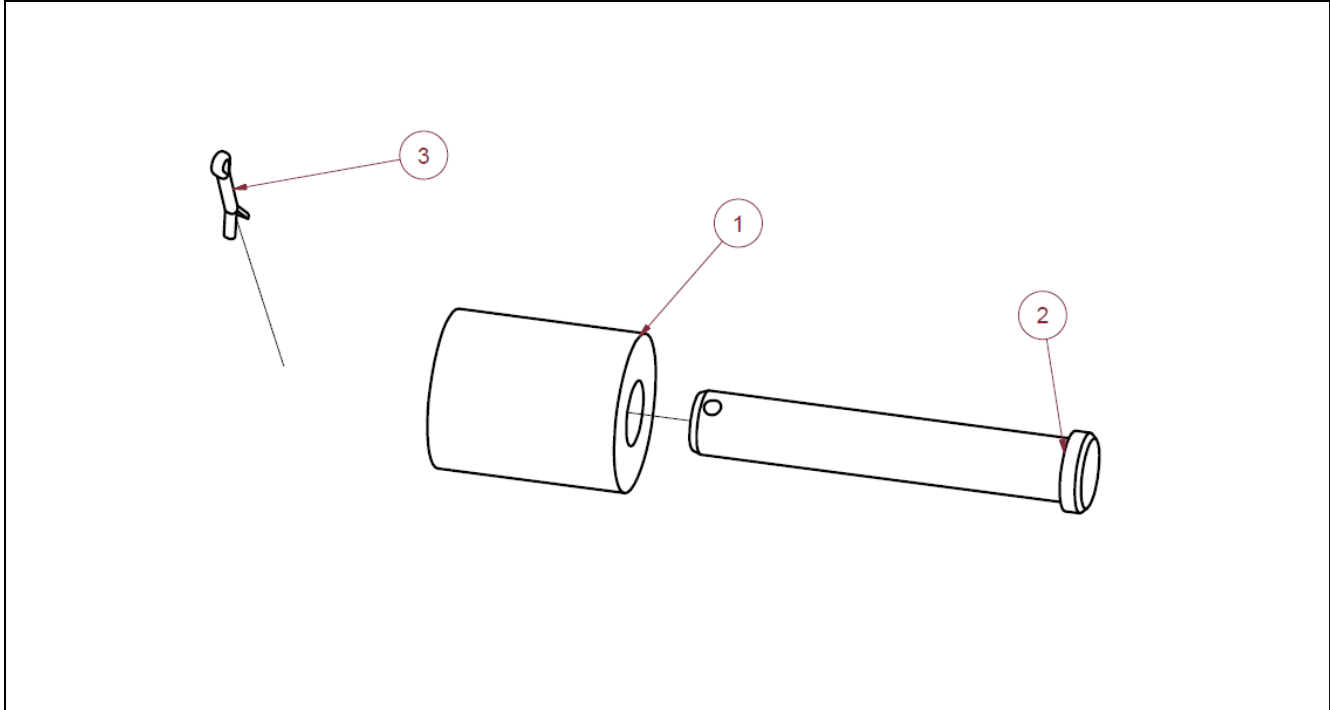
for R·O·M RoadwarriorR & Randall Straight Ramp

Carrier Width	Kit Part No.
26-3/4" OD / 26-5/8" ID	R00745
25-3/4" OD / 25-5/8" ID	R00746
24-3/4" OD / 24-5/8" ID	R00747
23-3/4" OD / 23-5/8" ID	R00748
22-3/4" OD / 22-5/8" ID	R00749

Item #	Part Description	Quantity
1	RIVET SS 3/16" GRIP .214-.437 STRL	8
2	FLIP COVER BENT STD	1
3	FINGER BOLT LATCH	2
4	LABEL RAMP USAGE - ATTACHED TO FLIP GATE <i>(not shown)</i>	1

Carrier Roller Replacement Kit

For R·O·M RoadwarrioR & Randall Straight Ramp



Carrier Roller Replacement Kit

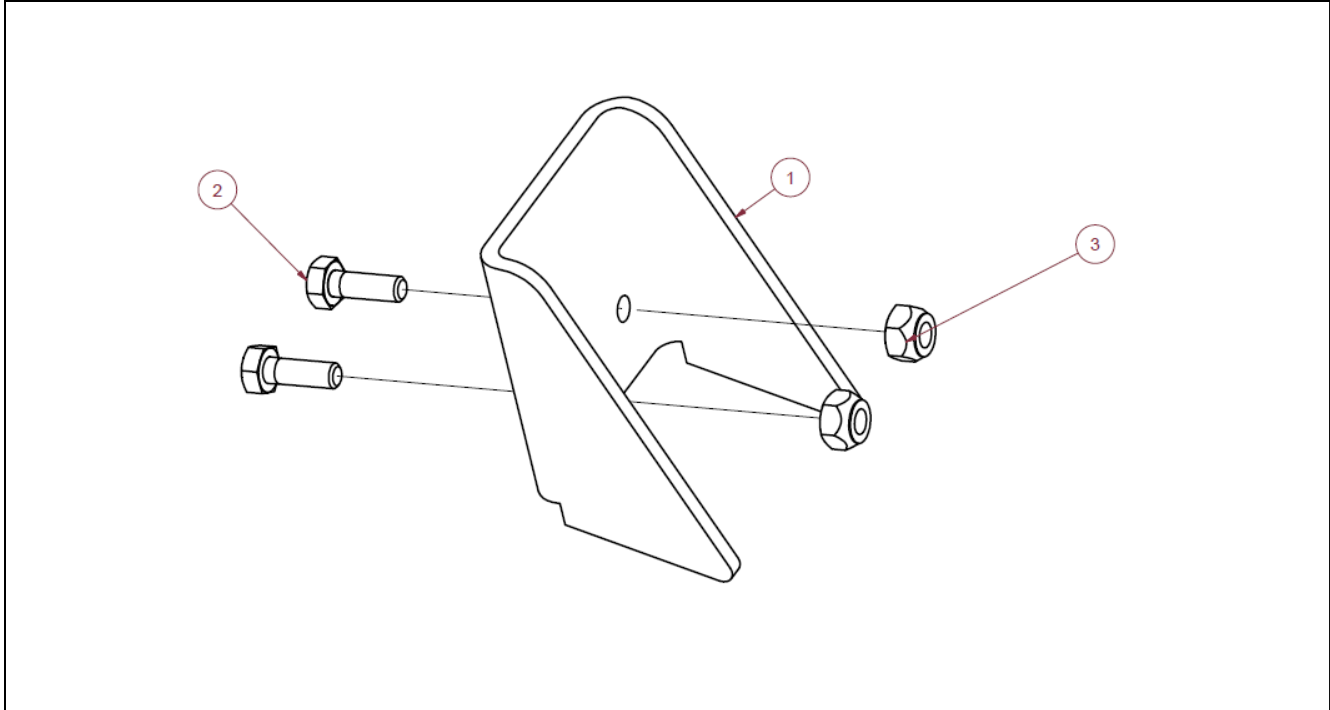
for R·O·M RoadwarrioR & Randall Straight Ramp

Part No. R04283

Item #	Part Description	Quantity
1	ROLLER UHMW 1.25" OD	1
2	CLEVIS PIN 1/2" X 3" ZP	1
3	COTTER PIN 1/8" X 3/4" SS	1

Carrier Stop Kit (Standard)

For R·O·M RoadwarrioR & Randall Straight Ramp



Carrier Stop Kit (Standard)

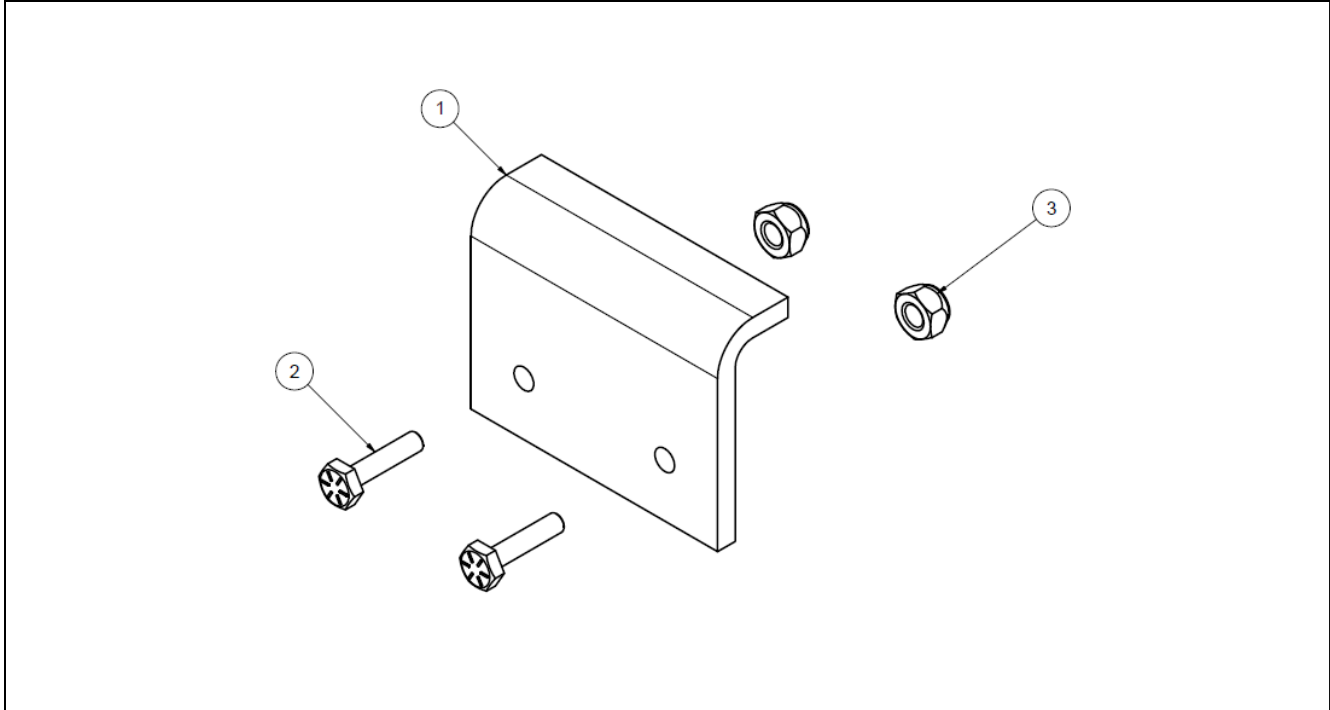
for R·O·M RoadwarrioR & Randall Straight Ramp

Part No. R04282

Item #	Part Description	Quantity
1	FLIP GATE STOP, STD RW	1
2	1/4"-20 X 3/4" HEX HD CAP SCREW SS	2
3	1/4"-20 NYLON INSERT STOP NUT SS	2

Carrier Stop Kit for Lift Assist (LA)

For R·O·M RoadwarriorR & Randall Straight Ramp



Carrier Stop Kit for Lift Assist (LA)

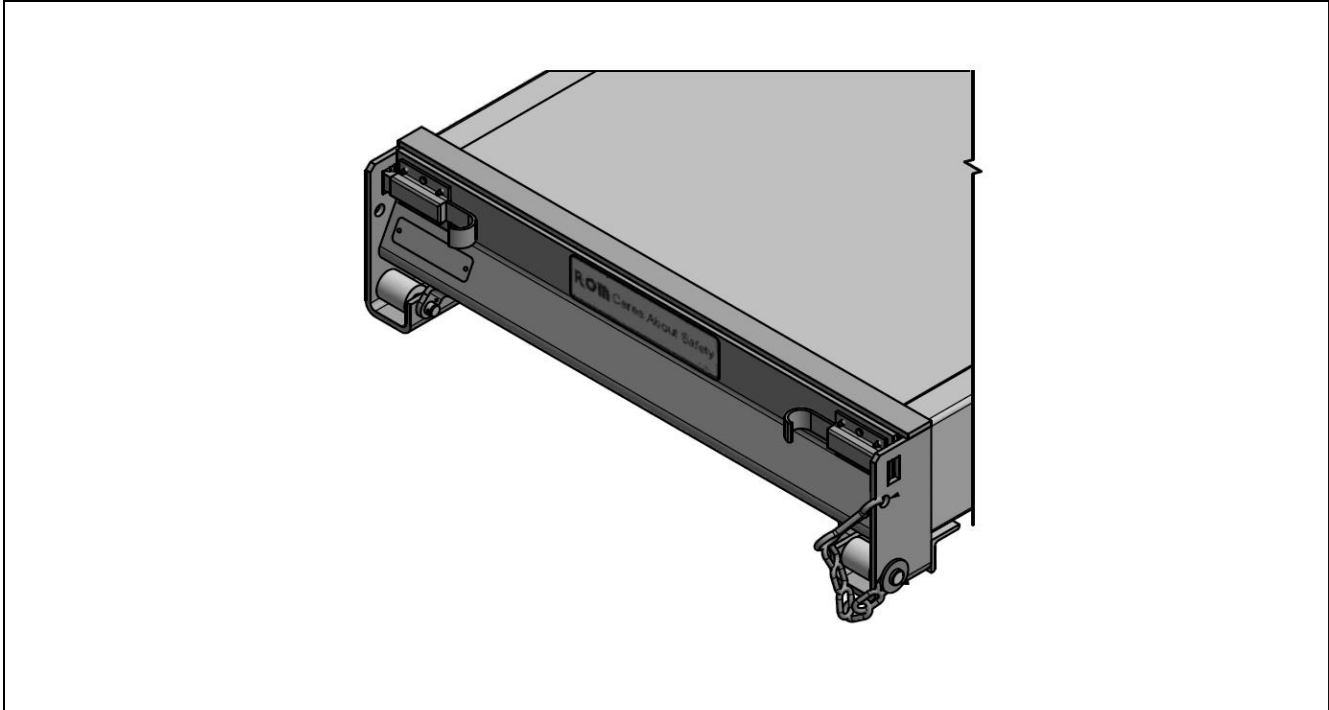
for R·O·M RoadwarriorR & Randall Straight Ramp

Part No. R03971

Item #	Part Description	Quantity
1	LA CARRIER STOP COATED	1
2	SCREW 1/4"-20 X 1" GRADE 8 HD	2
3	1/4"-20 NYLON INSERT STOP NUT SS	2

Carrier Safety Chain – Retrofit Kit

For R·O·M RoadwarrioR & Randall Straight Ramp



Carrier Safety Chain – Retrofit Kit

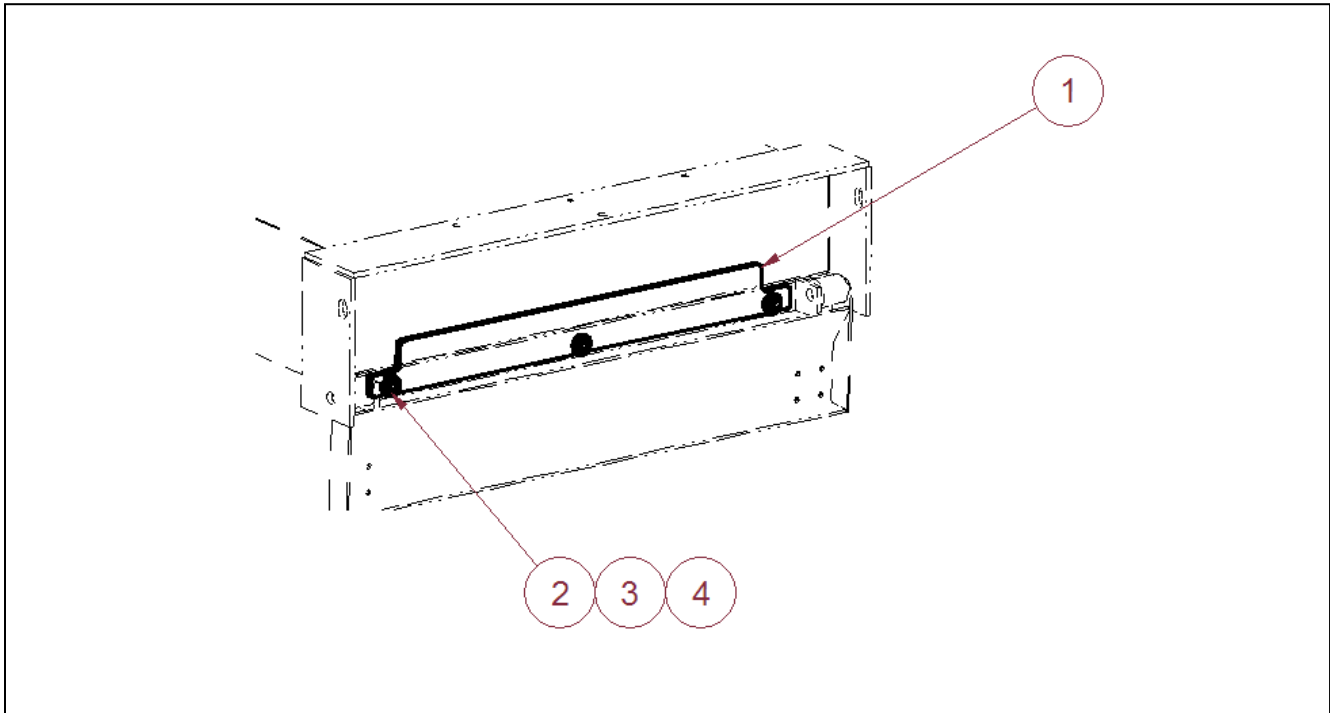
for R·O·M RoadwarrioR & Randall Straight Ramp

Part No. R04448

Item #	Part Description	Quantity
1	3/16" QUICK LINK ZINC PLATE	1
2	CHAIN 3/16" STL-ZINC PLD	1
3	SINGLE END SNAP HOOK	1
4	CLEVIS PIN SS 1/2"x3-1/4" USABLE w/ 1/8" CP	1
5	HAIRPIN COTTER 3/8"-1/2" CLEVIS x.079X1.63L	1
6	WASHER FLAT 1/2 USS ZP	1

Carrier Conversion Kit for a Bustin Carrier to hold a R·O·M Roadwarrior Ramp

For R·O·M RoadwarriorR & Randall Straight Ramp



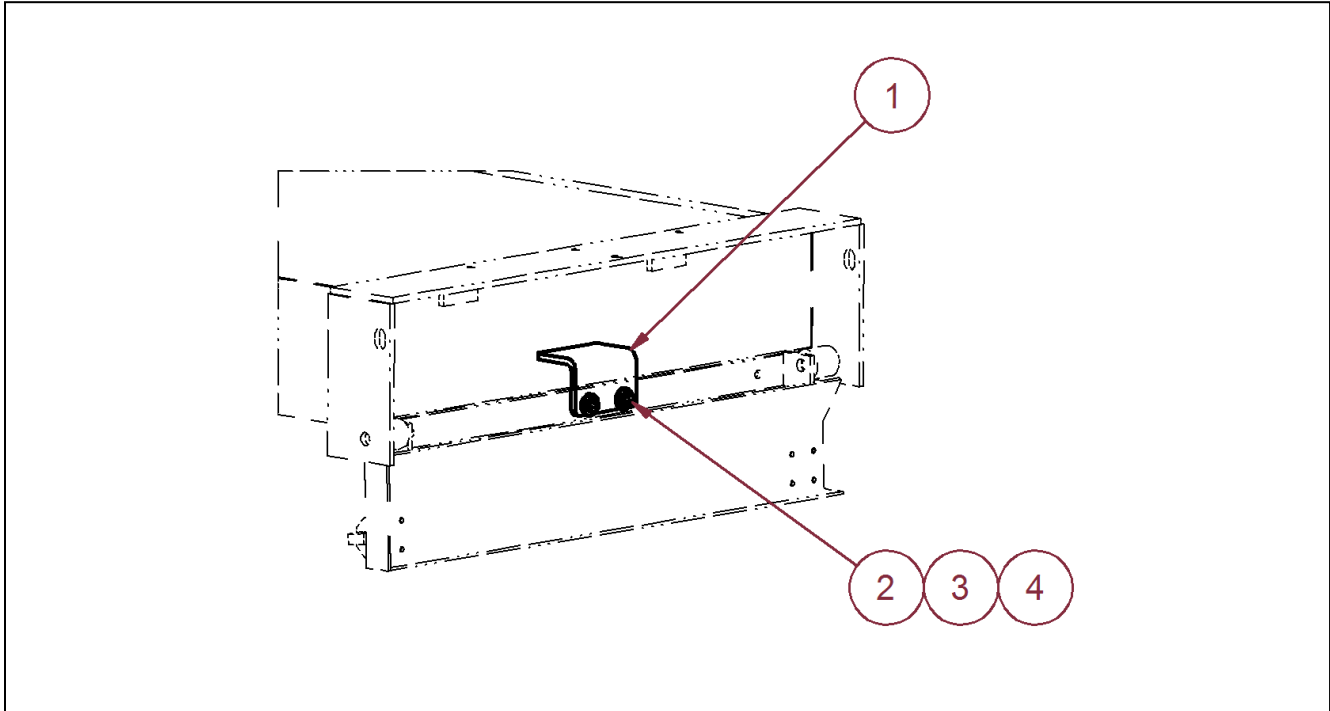
Carrier Conversion Kit for Bustin Carrier to hold a R·O·M RoadwarriorR Ramp for R·O·M RoadwarriorR & Randall Straight Ramp

Part No. R04454

Item #	Part Description	Quantity
1	BRACKET, RAMP STOP	1
2	BOLT HHCS 5/16"X18 X 1.0 GR5 ZP	3
3	NUT HEX LOCK NYLON INSERT 5/16"-18 ZP	3
4	WASHER FLAT 5/16" USS ZP	3

Carrier Conversion Kit for a Bustin Carrier to hold a R·O·M Roadwarrior Ramp w/Lift Assist

For R·O·M Roadwarrior & Randall Straight Ramp



Carrier Conversion Kit for Bustin Carrier to hold a R·O·M Roadwarrior Ramp w/Lift Assist for R·O·M Roadwarrior & Randall Straight Ramp

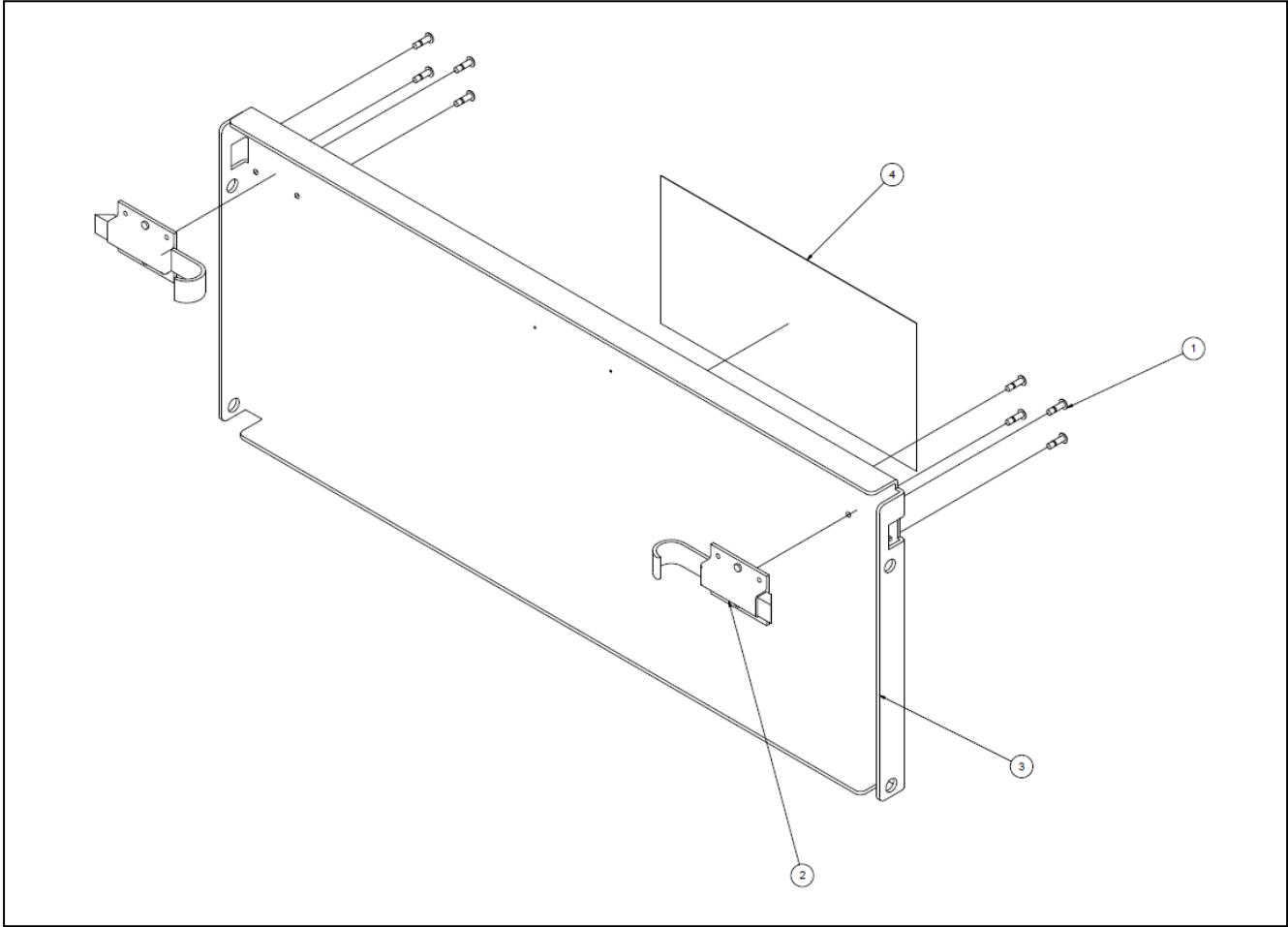
Part No. R04456

Item #	Part Description	Quantity
1	BRACKET, RAMP STOP LIFT ASSIST	1
2	BOLT HHCS 5/16"X18 X 1.0 GR5 ZP	2
3	NUT HEX LOCK NYLON INSERT 5/16"-18 ZP	2
4	WASHER FLAT 5/16" USS ZP	2

R·O·M Sidekick & Randall Folding Ramp Carrier

Carrier Door Sub-Assembly

For R·O·M Sidekick & Randall Folding Ramp



Carrier Door Sub-Assembly

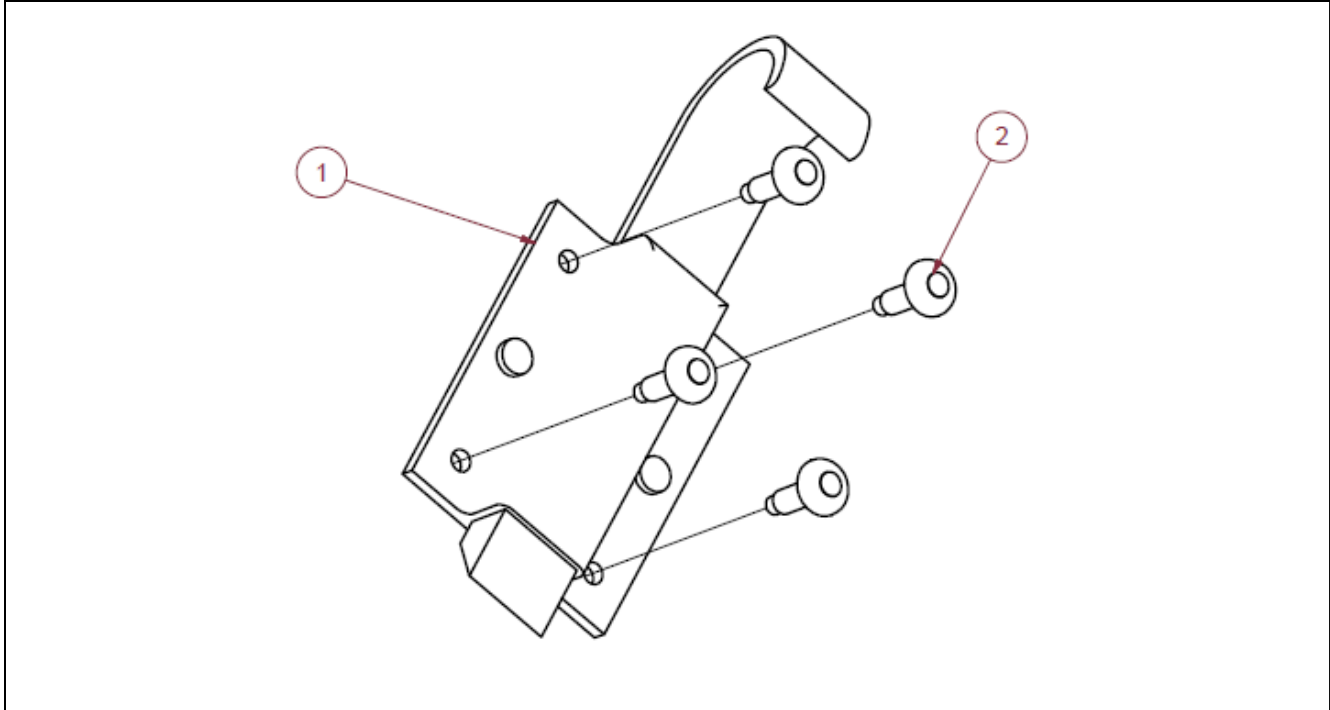
for R·O·M Sidekick & Randall Folding Ramp

Part No. R00743

Item #	Part Description	Quantity
1	RIVET, 3/16" SS	8
2	FINGER BOLT LATCH	2
3	CARRIER END GATE, SIDEKICK & FOLDING RAMP	1
4	SK LABEL INST. USER CARRIER	1

Carrier Door Latch Kit

For R·O·M Sidekick & Randall Folding Ramp



Carrier Door Latch Kit

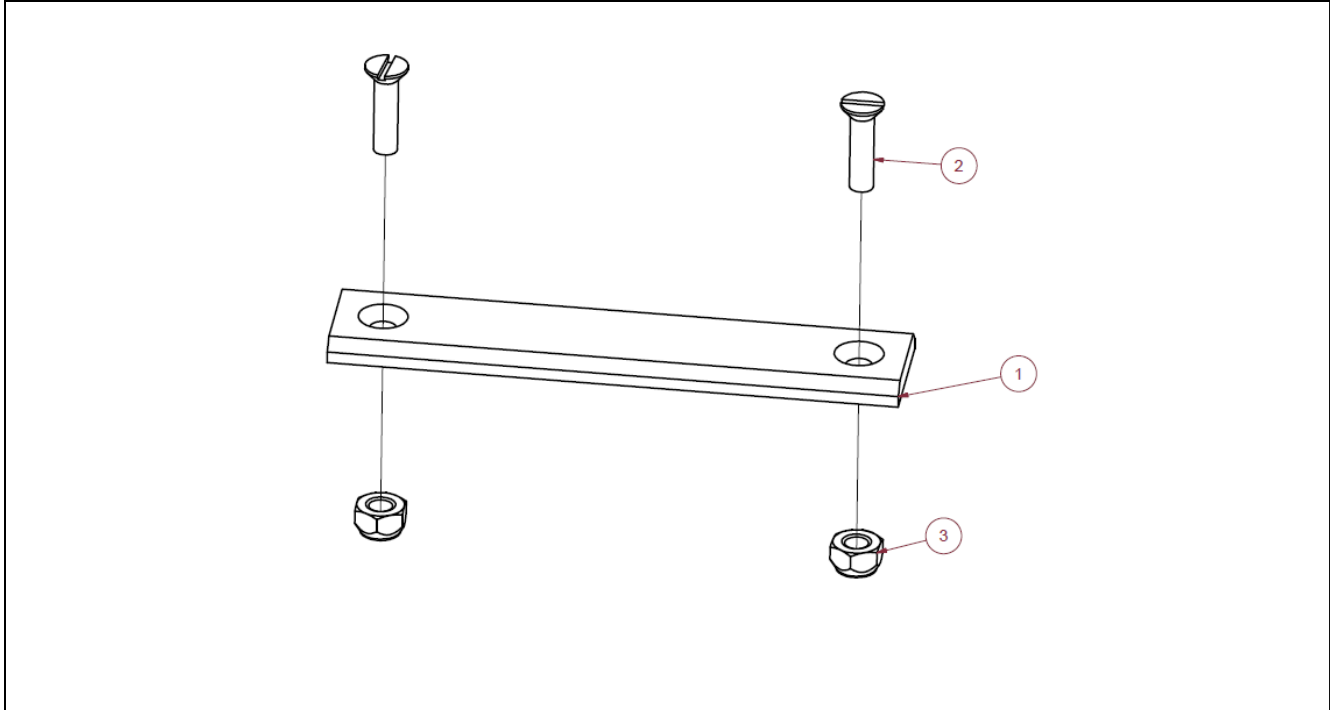
for R·O·M Sidekick & Randall Folding Ramp

Part No. R04281

Item #	Part Description	Quantity
1	FINGER BOLT LATCH	1
2	RIVET SS 3/16" GRIP .214-.437 STRL	4

Slide Plate Replacement Kit

For R·O·M Sidekick & Randall Folding Ramp



Slide Plate Replacement Kit

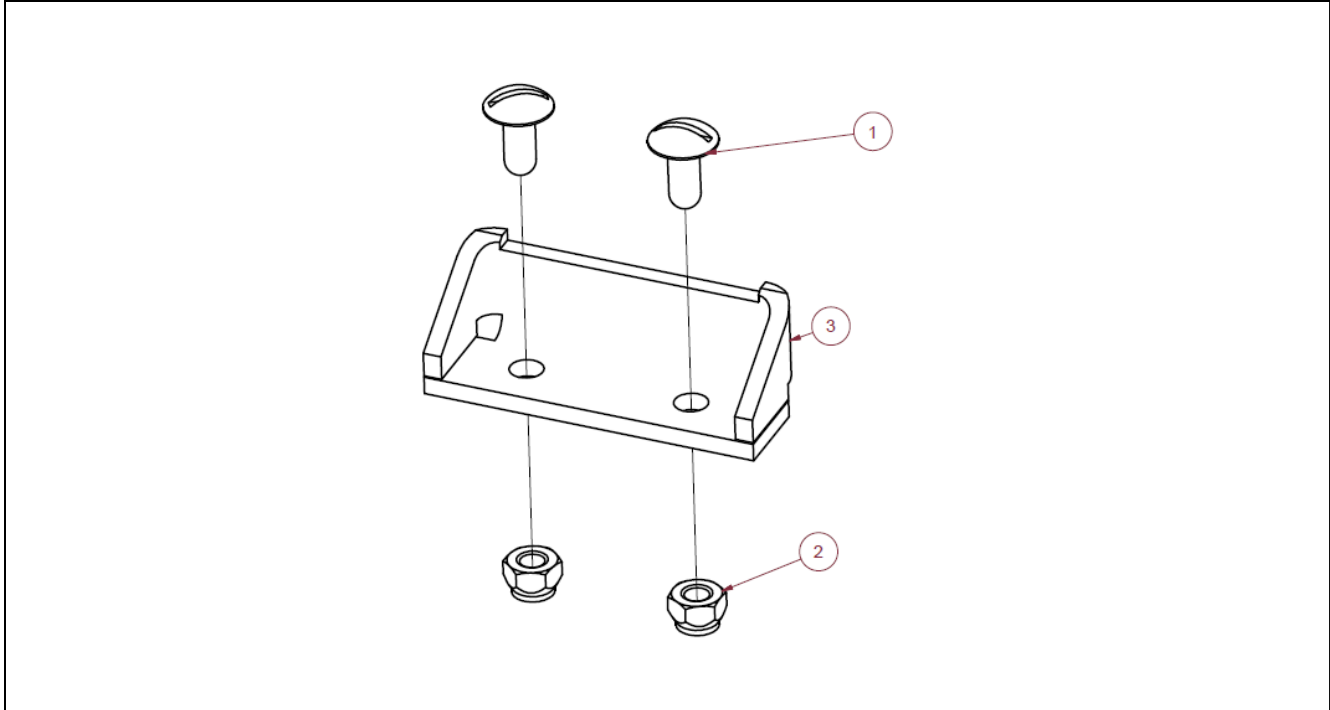
for R·O·M Sidekick & Randall Folding Ramp

Part No. R04295

Item #	Part Description	Quantity
1	WEAR PAD - CARRIER FOLDING RAMP	1
2	1/4"-20 X 1 PHL CSNK HD MACH SCREW SS	2
3	1/4"-20 NYLON INSERT STOP NUT SS	2

Stop Bracket Replacement Kit

For R·O·M Sidekick & Randall Folding Ramp



Stop Bracket Replacement Kit

for R·O·M Sidekick & Randall Folding Ramp

Part No. R04296

Item #	Part Description	Quantity
1	SCREW 5/16"-18 X 3/4" SLT TRS HD MACH ZP	2
2	5/16"-18 X 1 NYLON INSERT LOCK NUT ZP	2
3	STOP ANGLE PC'D 3/16" X 1-1/4" X 1-1/4" X 3" STEEL	1