



R·O·M ROADWARRIOR™ RAMP Parts Manual

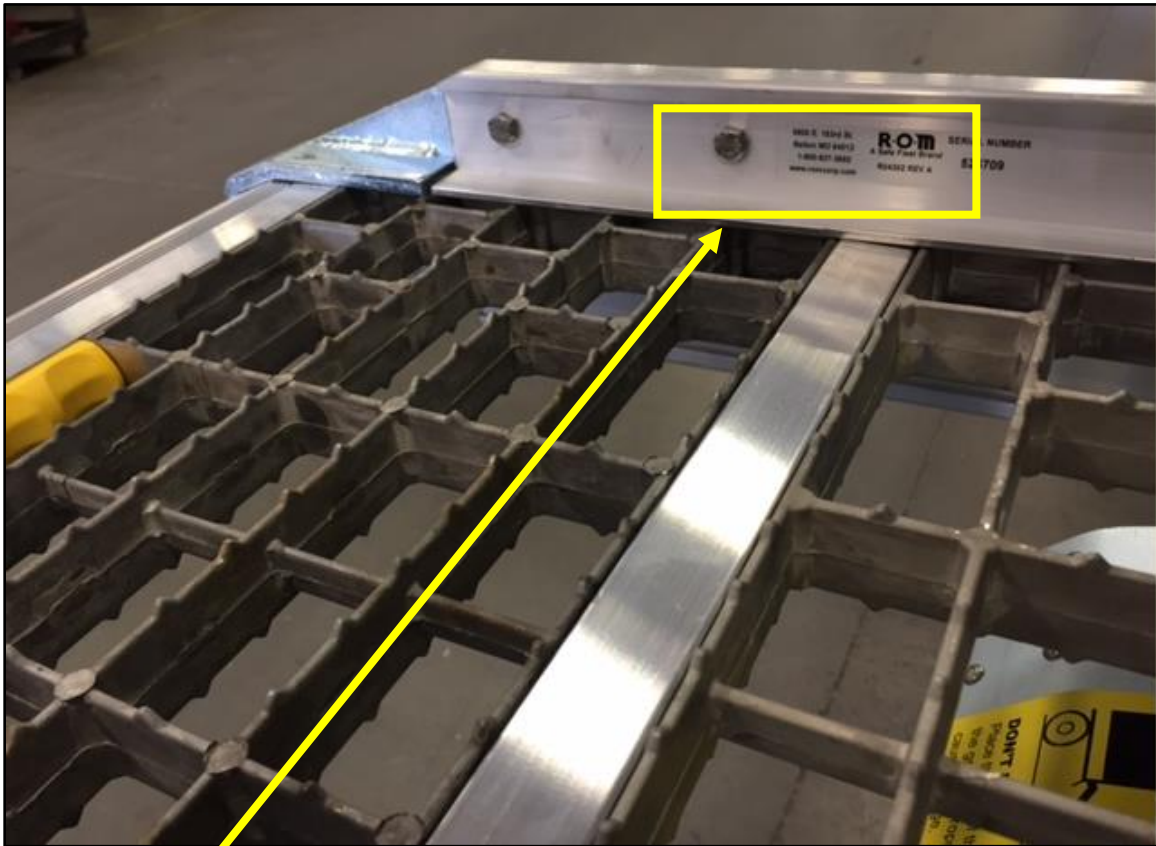


Table of Contents

Serial Number Location	3
RoadwarrioR™ Ramp Parts Kits Drawing	4
Label Kit, RoadwarrioR Ramp	6
Apron, Replacement Kit, Standard	7
Apron, Replacement Kit, Standard (cont'd)	8
Apron, Replacement Kit for Lift Assist (LA)	9
Apron, Replacement Kit, Standard (cont'd)	10
Casting, Standard Kit	11
Casting, for Lift Assist (LA) Kit	12
Casting, Transition Kit	13
Gas Spring Retrofit Kit	14
Gas Spring Retrofit Kit (cont'd)	15
Grab Handle Replacement Kit	16
Hook Option Replacement Pin	17
Hook Support with Stop	18
Hook Support with Stop (cont'd)	19
Hook Support w/o Stop	20
Hook Support w/o Stop (cont'd)	21
Lift Assist 25-7/8" OD	22
Lift Assist Kit, Std. with Apron	23
Lift Assist Kit, Std. with Apron (cont'd)	24
Lift Assist Kit, Std. w/o Apron	25
Lift Assist Kit, Std. w/o Apron (cont'd)	26
Lift Assist Wheel Kit	27
Ramp Pin Replacement Kit	28
Roller Replacement Kit	29
Side Rail Kit, RoadwarrioR, Left Side w/ Labels	30
Side Rail Kit, RoadwarrioR, Right Side w/ Labels	31
Tie Rod, Lift Assist Replacement Kit	32
Tie Rod, Replacement Kit	33
Transition Plate Assembly	34
Transition Plate Assembly (cont'd)	35

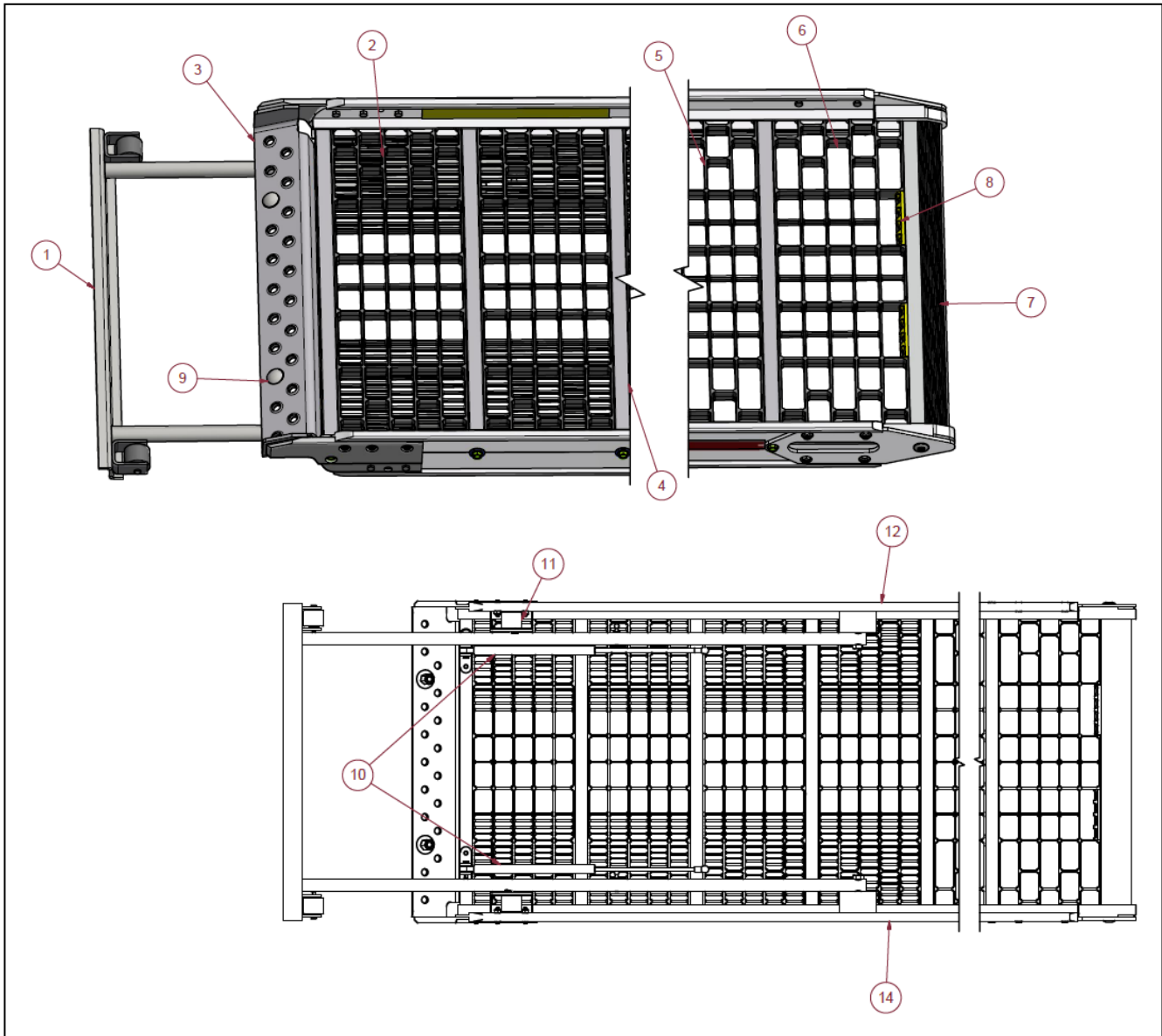
Serial Number Location

PLEASE NOTE:
Be sure to check the Serial Number before ordering parts.



Serial number located on the inside of the left rail

Roadwarrior™ Ramp Parts Kits Drawing

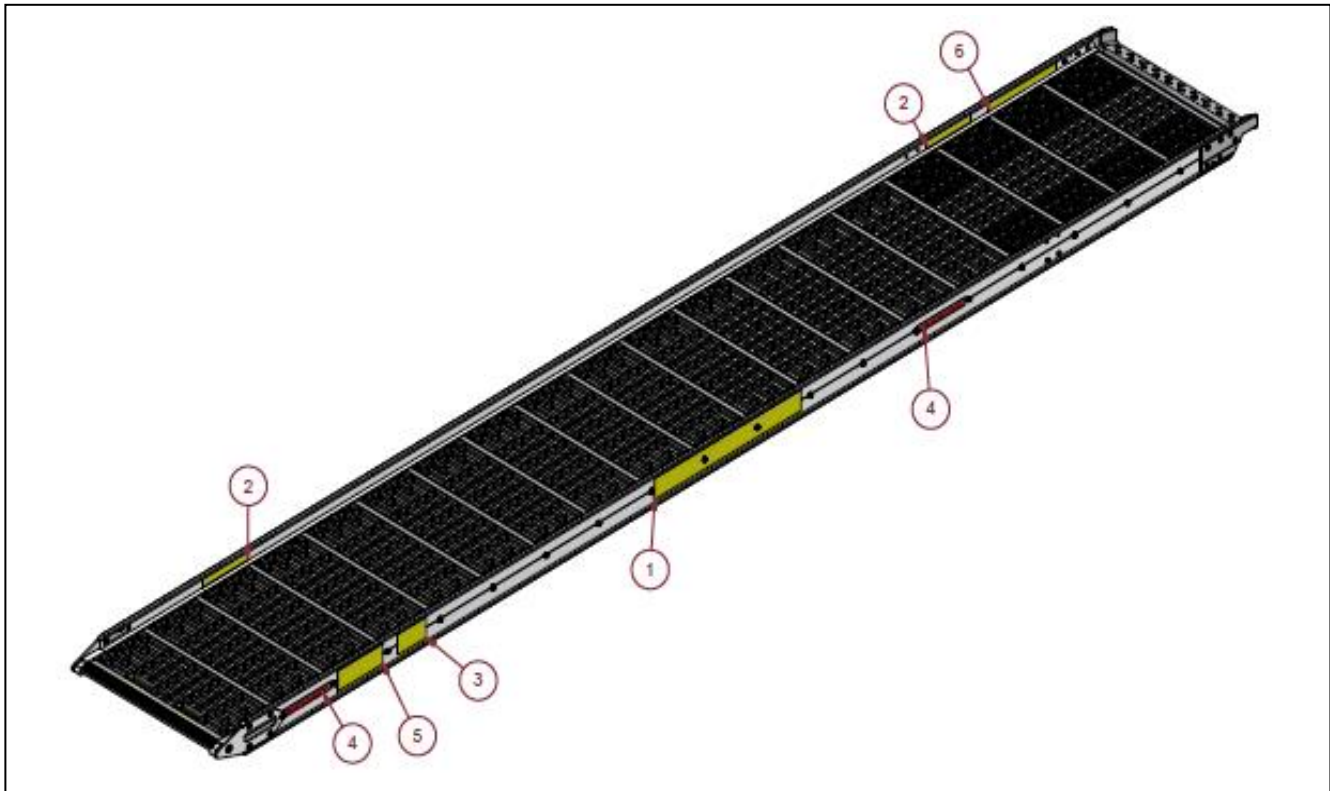


Roadwarrior Ramp Parts Kits

Item #	Part Description	Page #
1	LIFT ASSIST KITS	22-27
2	CASTING, FOR LIFT ASSIST (LA) KIT	12
3	APRON, REPLACEMENT KIT	7-10

Item #	Part Description	Page #
4 & 8	TIE ROD KIT	32-33
5	CASTING, STANDARD KIT	11
6	CASTING, TRANSITION KIT	13
7	TRANSITION PLATE ASSEMBLY	34-35
8	GRAB HANDLE REPLACEMENT KIT	16
9	RAMP PIN REPLACEMENT KIT	28
10	GAS SPRING RETROFIT KIT	14-15
11	ROLLER REPLACEMENT KIT	29
12	SIDE RAIL KITS	30-31
not shown	HOOK OPTION REPLACEMENT PIN	17
not shown	HOOK SUPPORT KITS	18-21

Label Kit, Roadwarrior Ramp

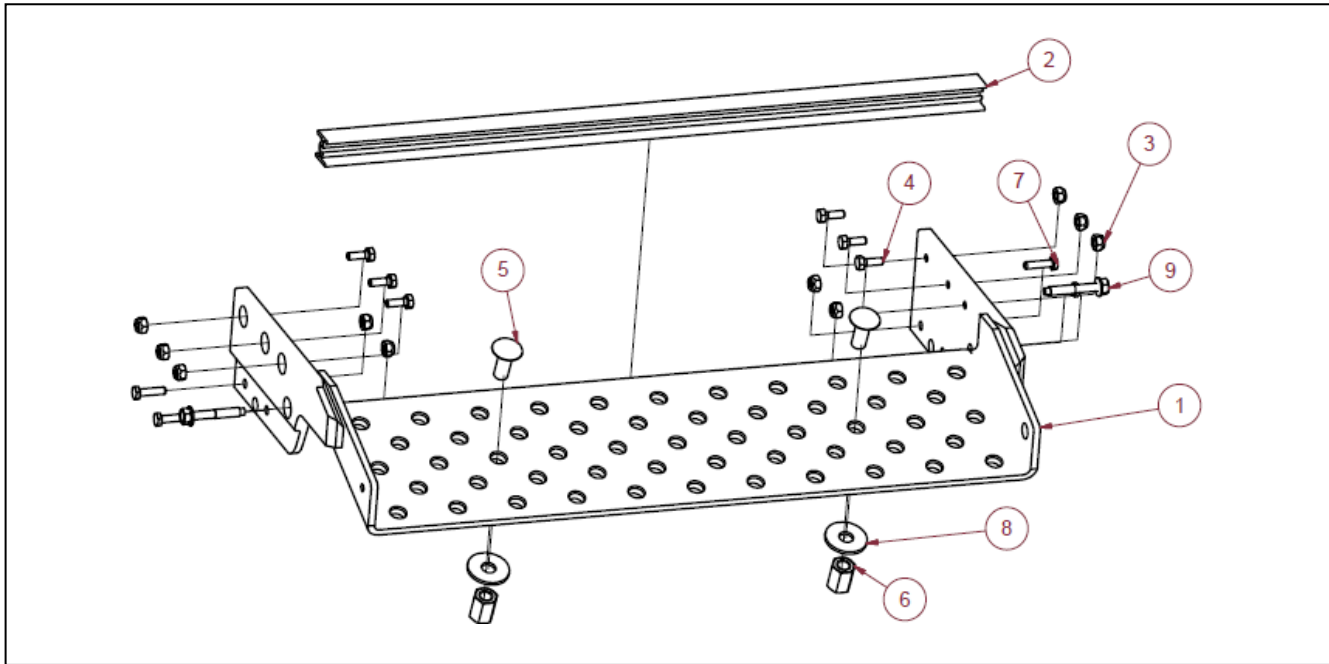


Roadwarrior Ramp Label Kit

Part No. R04303

Item #	Part Description	Quantity
1	LABEL, ROADWARRIOR	2
2	LABEL CAUTION WATCH STEP	4
3	LABEL DO NOT DROP RAMP	2
4	TAPE REFLECTIVE RED	4
5	LABEL WARNING RAMP SAFETY CHECK	2
6	LABEL, CAUTION DO NOT REACH UNDER	2

Apron, Replacement Kit, Standard



Apron, Replacement Kit, Standard

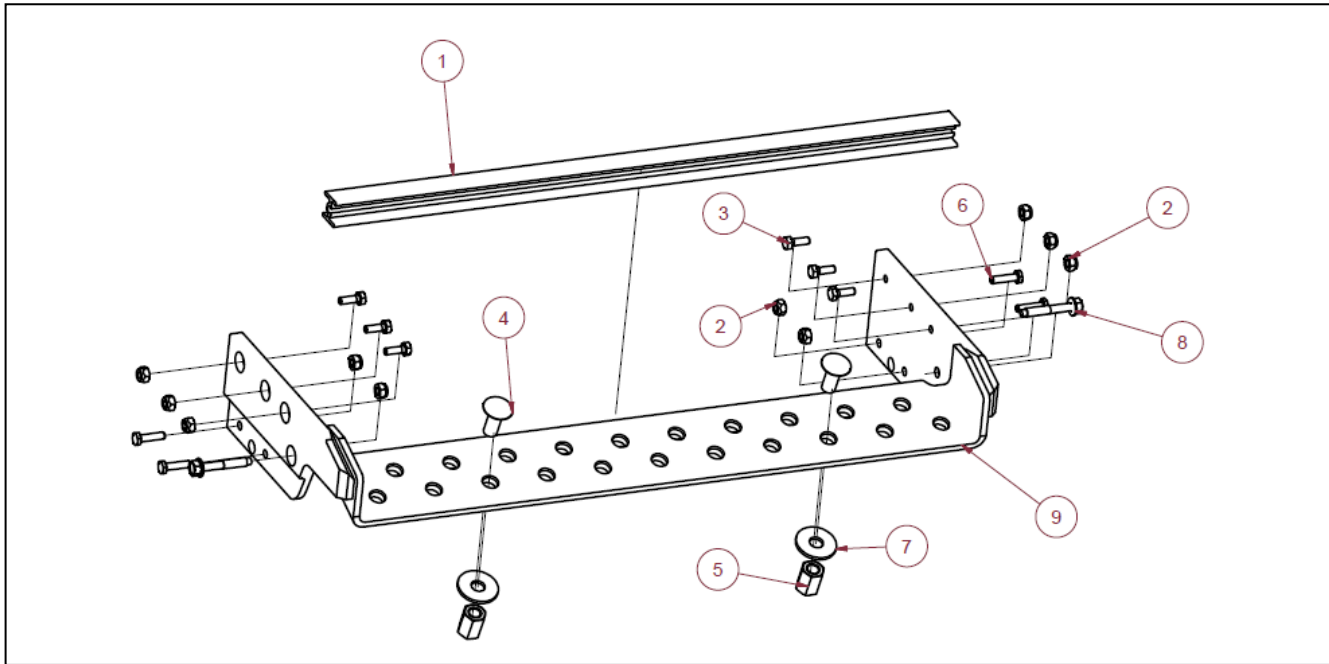
Ramp Width	Kit Part #
25-7/8"	R00100
24-7/8"	R00101
23-7/8"	R00102
22-7/8"	R00103
21-7/8"	R00104

Item #	Part Description	Quantity
1	APRON WELDMENT 6-5/8" x RAMP WIDTH	1
2	TIE ROD	1
3	1/4"-20 NYLON INSERT STOP NUT SS	10
4	1/4"-20 X 3/4" HEX HD CAP SCREW SS	6

Apron, Replacement Kit, Standard (cont'd)

Item #	Part Description	Quantity
5	1/2"-13 X 1-1/4" ZP CARRIAGE BOLT	2
6	1/2"-13 X 1" THIN WALL COUPLER NUT ZP	2
7	1/4"-20 X 1" GR5 HEX HD CAP SCREW ZP	4
8	WASHER CONICAL 115 THK .515" ID 1.5" OD	2
9	TIE ROD SCREW	2
	COTTER CIRCLE 5/8" SS (not shown)	2
	FM-8.5-43 - ROADWARRIOR RAMP APRON REPLACEMENT INSTRUCTIONS (not shown)	1

Apron, Replacement Kit for Lift Assist (LA)



Apron, Replacement Kit for Lift Assist (LA)

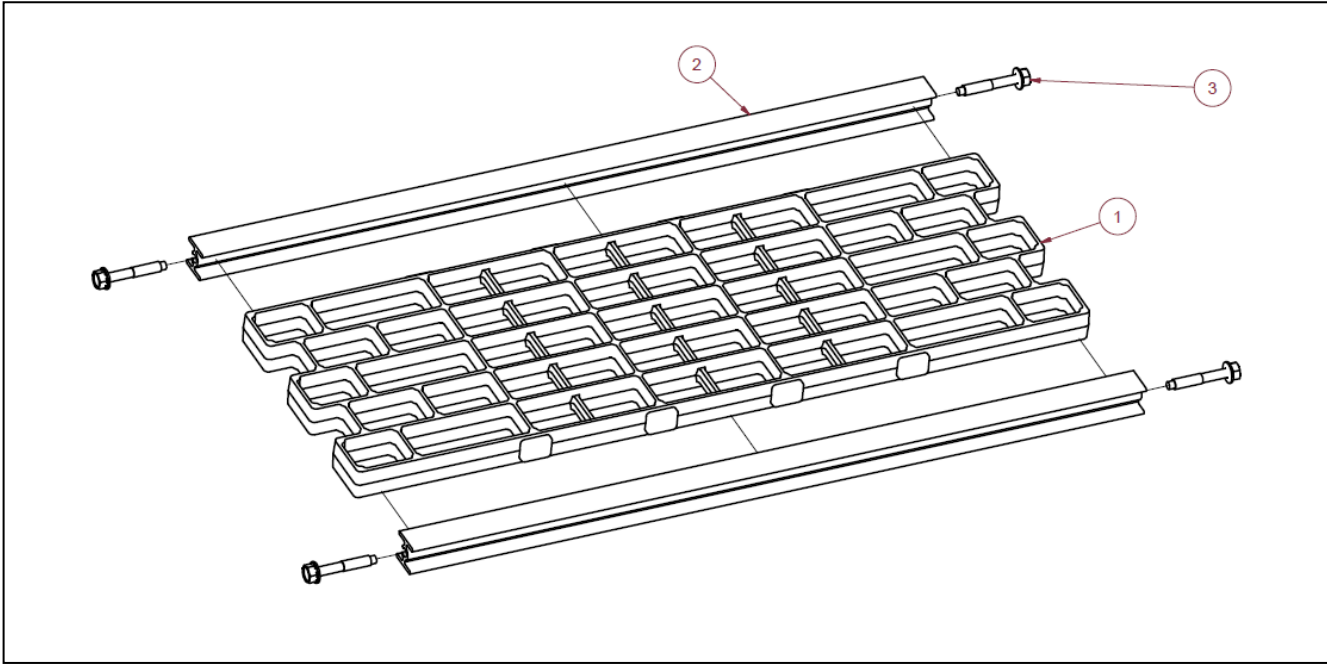
Ramp Width	Kit Part #
25-7/8"	R00457
24-7/8"	R00458
23-7/8"	R00459
22-7/8"	R00460
21-7/8"	R00461

Item #	Part Description	Quantity
1	SPRING BRACKET W/ TIE ROD LIFT ASSIST	1
2	1/4"-20 NYLON INSERT STOP NUT SS	10
3	1/4"-20 X 3/4" HEX HD CAP SCREW SS	6
4	1/2"-13 X 1-1/4" ZP CARRIAGE BOLT	2

Apron, Replacement Kit, Standard (cont'd)

Item #	Part Description	Quantity
5	1/2"-13 X 1" THIN WALL COUPLER NUT ZP	2
6	1/4"-20 X 1" GR5 HEX HD CAP SCREW ZP	4
7	WASHER CONICAL 115 THK .515" ID 1.5" OD	2
8	TIE ROD SCREW	2
9	LA APRON ASSEMBLY 3-5/8" X RAMP OD	1
	COTTER CIRCLE 5/8" SS (not shown)	2
	FM-8.5-43 - ROADWARRIOR RAMP APRON REPLACEMENT INSTRUCTIONS (not shown)	1

Casting, Standard Kit

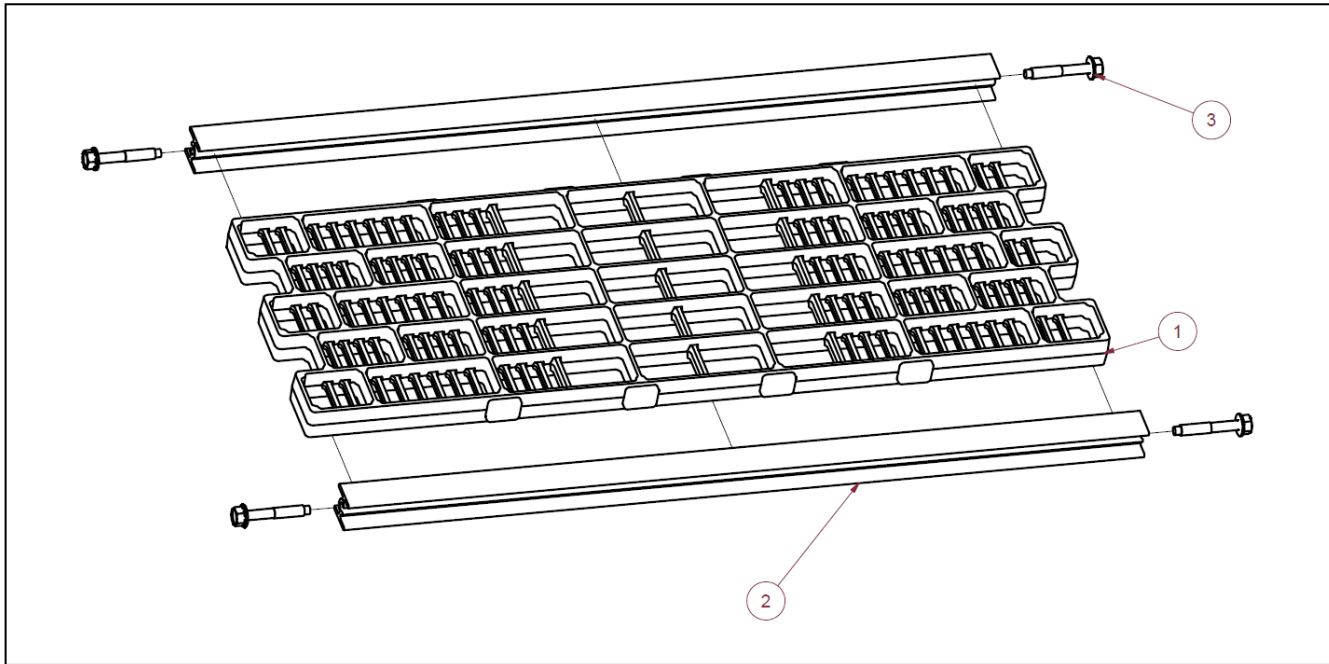


Casting, Standard Kit

Ramp Width	Kit Part #
25-7/8"	R04271
24-7/8"	R04271-1
23-7/8"	R04271-2
22-7/8"	R04271-3
21-7/8"	R04271-4

Item #	Part Description	Quantity
1	RAMP CASTING, MAG RAMP	1
2	TIE ROD	2
3	TIE ROD SCREW	4

Casting, for Lift Assist (LA) Kit

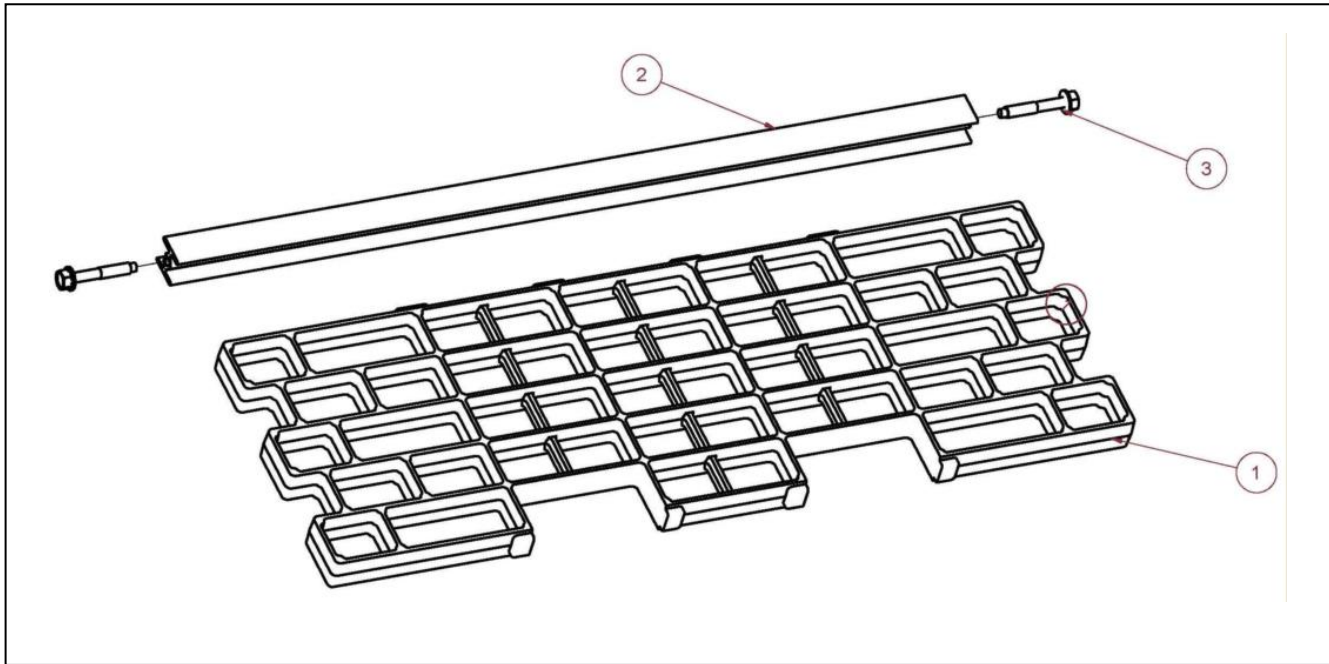


Casting, for Lift Assist (LA) Kit

Ramp Width	Kit Part #
25-7/8"	R04272
24-7/8"	R04272-1
23-7/8"	R04272-2
22-7/8"	R04272-3
21-7/8"	R04272-4

Item #	Part Description	Quantity
1	RAMP CASTING WITH GUARD MAG AZ91D ALLOY	1
2	TIE ROD	2
3	TIE ROD SCREW	4

Casting, Transition Kit

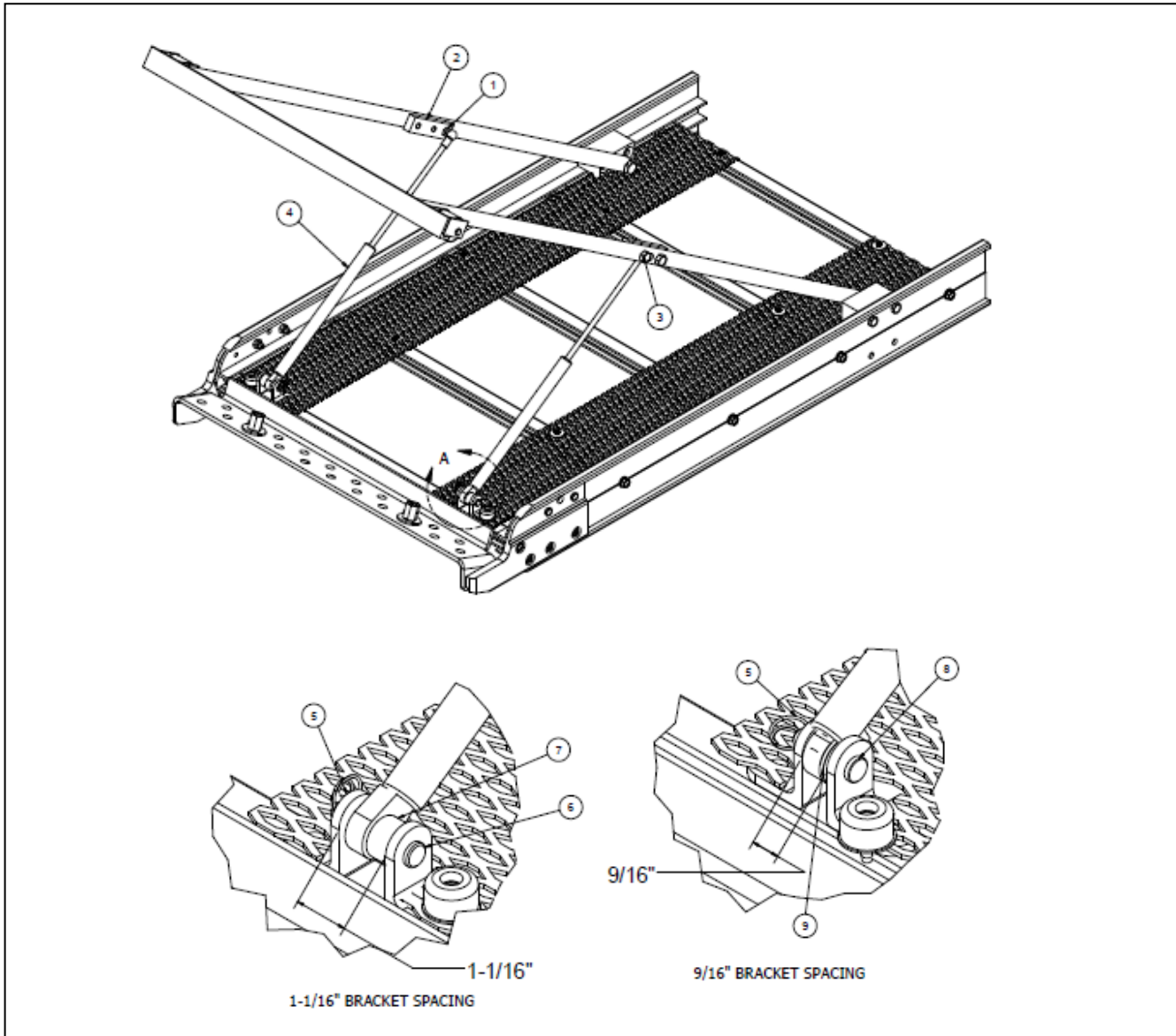


Casting, Transition Kit

Ramp Width	Kit Part #
25-7/8"	R04270
24-7/8"	R04270-1
23-7/8"	R04270-2
22-7/8"	R04270-3
21-7/8"	R04270-4

Item #	Part Description	Quantity
1	TRANSITION PLATE CASTING	1
2	TIE ROD	1
3	TIE ROD SCREW	2

Gas Spring Retrofit Kit



Gas Spring Retrofit Kit

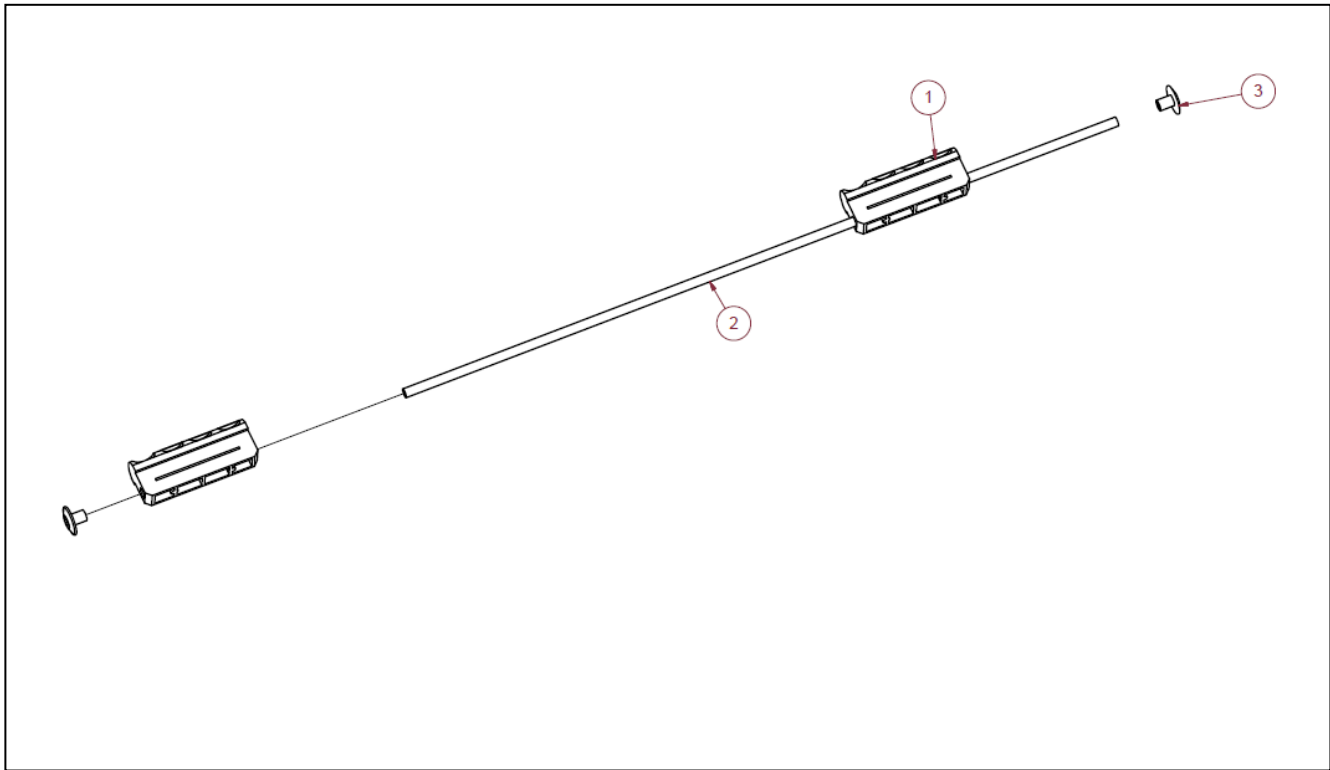
Part No. R01147-3

Item #	Part Description	Quantity
1	BALL STUD 10MM	2
2	ADAPTOR PLATE, GAS SPRING LIFT ASSIST	2

Gas Spring Retrofit Kit (cont'd)

Item #	Part Description	Quantity
3	7/16"-14 X 1-1/2" HEX HD SCREW, GR2, ZP	4
4	SPRING GAS WITH ENDS 10' 12' 14' &16' RAMP	2
5	COTTER CIRCLE 5/8" SS	2
6	CLEVIS PIN 5/16" X 1-3/4" ZP	2
7	SPACER LDPE .325" IDX.75" ODX.5" LG.	2
8	CLEVIS PIN 5/16" X 1-1/4" ZP	2
9	WASHER 5/16" USS FLAT ZP	2

Grab Handle Replacement Kit

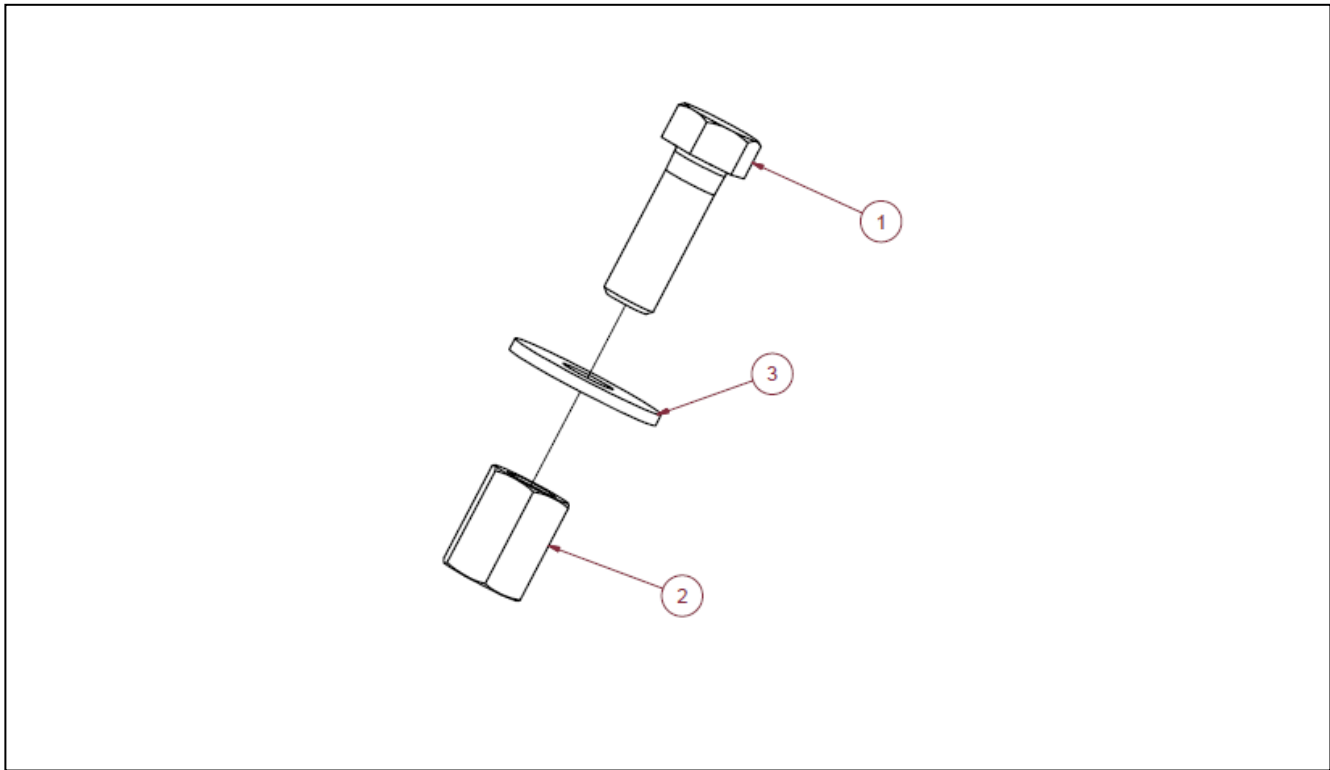


Grab Handle Replacement Kit

Part No. R04277

Item #	Part Description	Quantity
1	HANDLE NYLON 6 - ROADWARRIOR	2
2	ALLTHREAD 5/16"-18 X 25-5/8" LONG ZP	1
3	CAMTAINER NUT 5/16"-18 X 1/2" TORX #55	2

Hook Option Replacement Pin

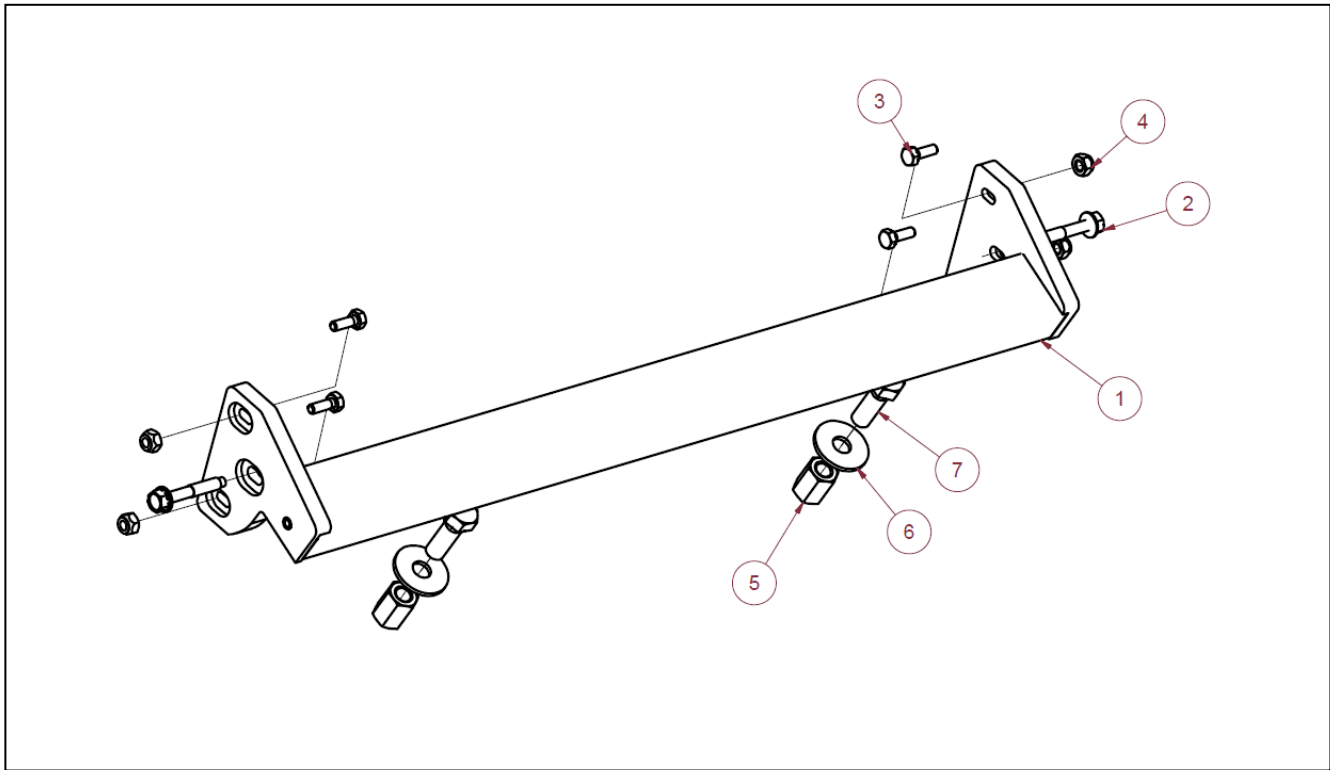


Hook Option Replacement Pin

Part No. R04278

Item #	Part Description	Quantity
1	1/2"-13 X 1-1/2" HEX HD CAP SCREW GR8 ZP	1
2	1/2"-13 X 1" THIN WALL COUPLER NUT ZP	1
3	WASHER CONICAL 115 THK .515" ID 1.5" OD	1

Hook Support with Stop



Hook Support with Stop

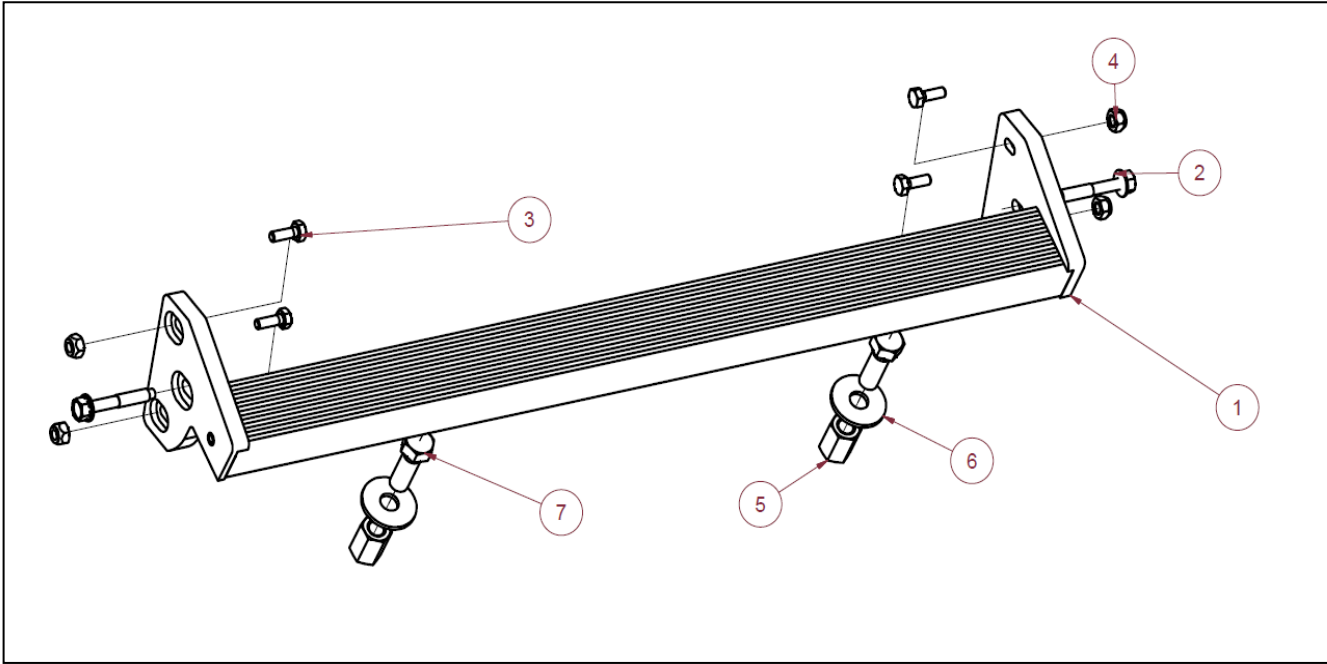
Ramp Width	Kit Part #
25-7/8"	R04275
24-7/8"	R04275-1
23-7/8"	R04275-2
22-7/8"	R04275-3
21-7/8"	R04275-4

Item #	Part Description	Quantity
1	HOOK SUPPORT WITH STOP	1
2	TIE ROD SCREW	2
3	1/4"-20 X 3/4" HEX HD CAP SCREW SS	4

Hook Support with Stop (cont'd)

Item #	Part Description	Quantity
4	1/4"-20 NYLON INSERT STOP NUT SS	4
5	1/2"-13 X 1 THIN WALL COUPLER NUT ZP	2
6	WASHER CONICAL 115 THK .515" ID 1.5" OD	1
7	1/2"-13 X 1-1/2" HEX HD CAP SCREW GR8 ZP	2

Hook Support w/o Stop



Hook Support w/o Stop

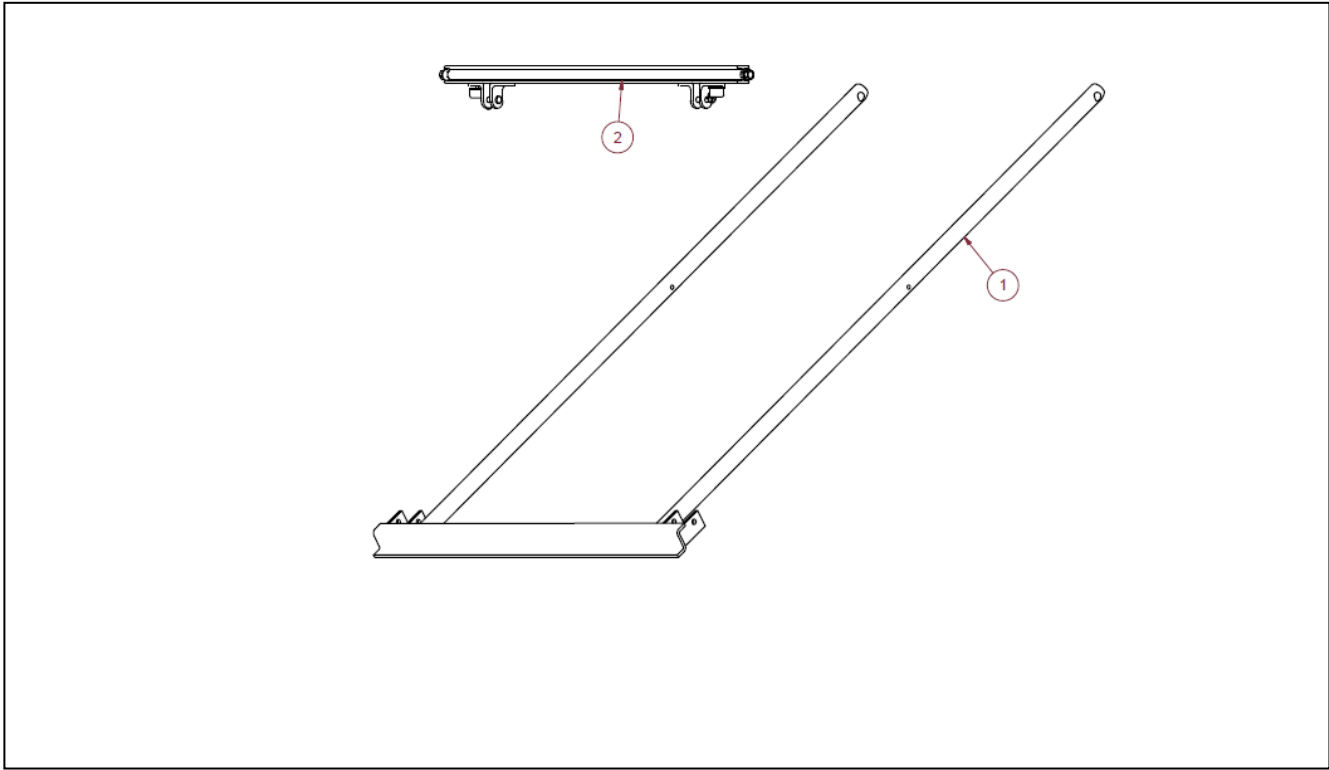
Ramp Width	Kit Part #
25-7/8"	R04276
24-7/8"	R04276-1
23-7/8"	R04276-2
22-7/8"	R04276-3
21-7/8"	R04276-4

Item #	Part Description	Quantity
1	HOOK SUPPORT W/O STOP	1
2	TIE ROD SCREW	2
3	1/4"-20 X 3/4" HEX HD CAP SCREW SS	4

Hook Support w/o Stop (cont'd)

Item #	Part Description	Quantity
4	1/4"-20 NYLON INSERT STOP NUT SS	4
5	1/2"-13 X 1 THIN WALL COUPLER NUT ZP	2
6	WASHER CONICAL 115 THK .515" ID 1.5" OD	1
7	1/2"-13 X 1-1/2" HEX HD CAP SCREW GR8 ZP	2

Lift Assist 25-7/8" OD

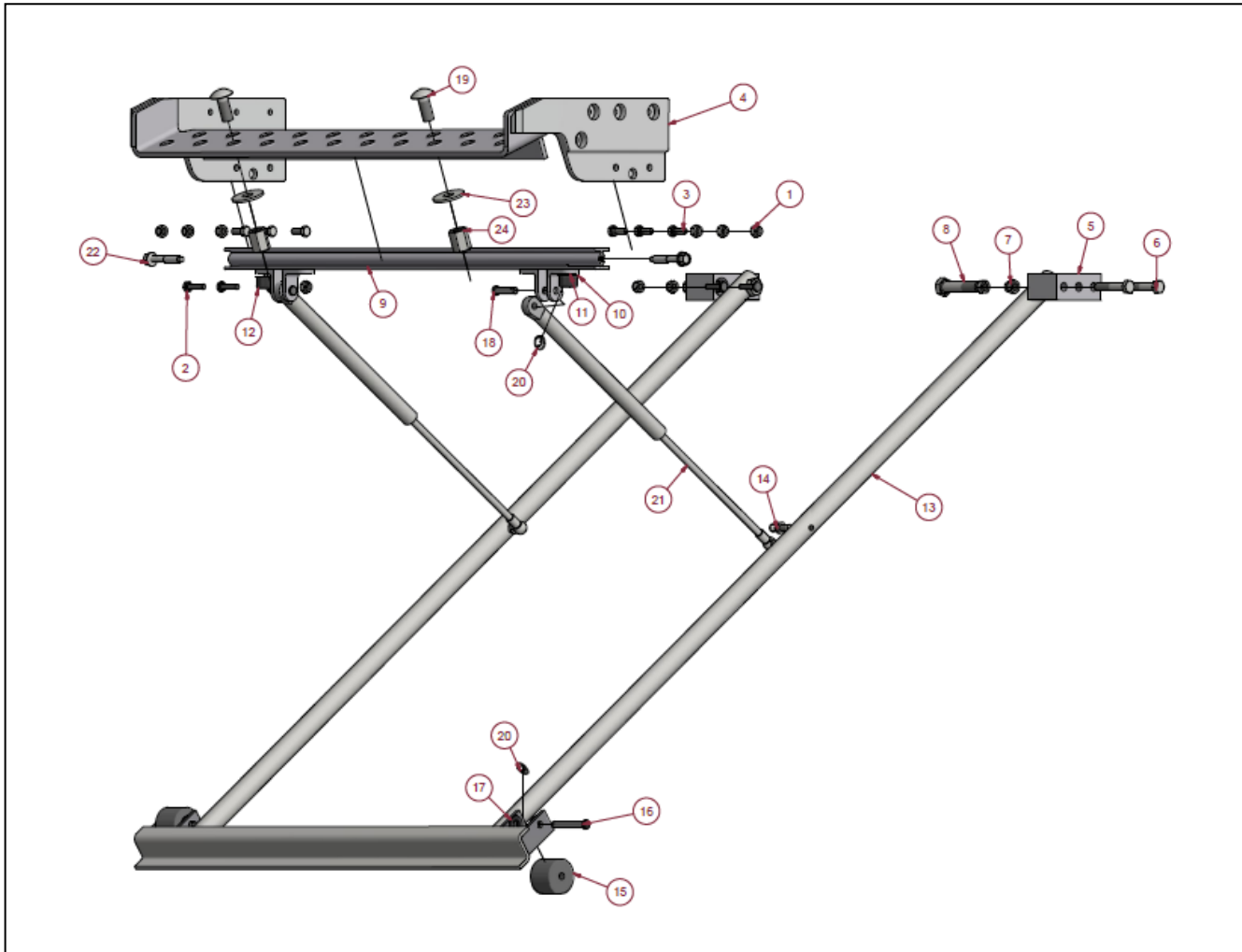


Lift Assist 25-7/8" OD

Part No. R04312

Item #	Part Description	Quantity
1	TROLLEY FRAME	1
2	SPRING BRACKET TIE ROD W/ BUMPER	1

Lift Assist Kit, Std. with Apron



Lift Assist Kit, Std. with Apron

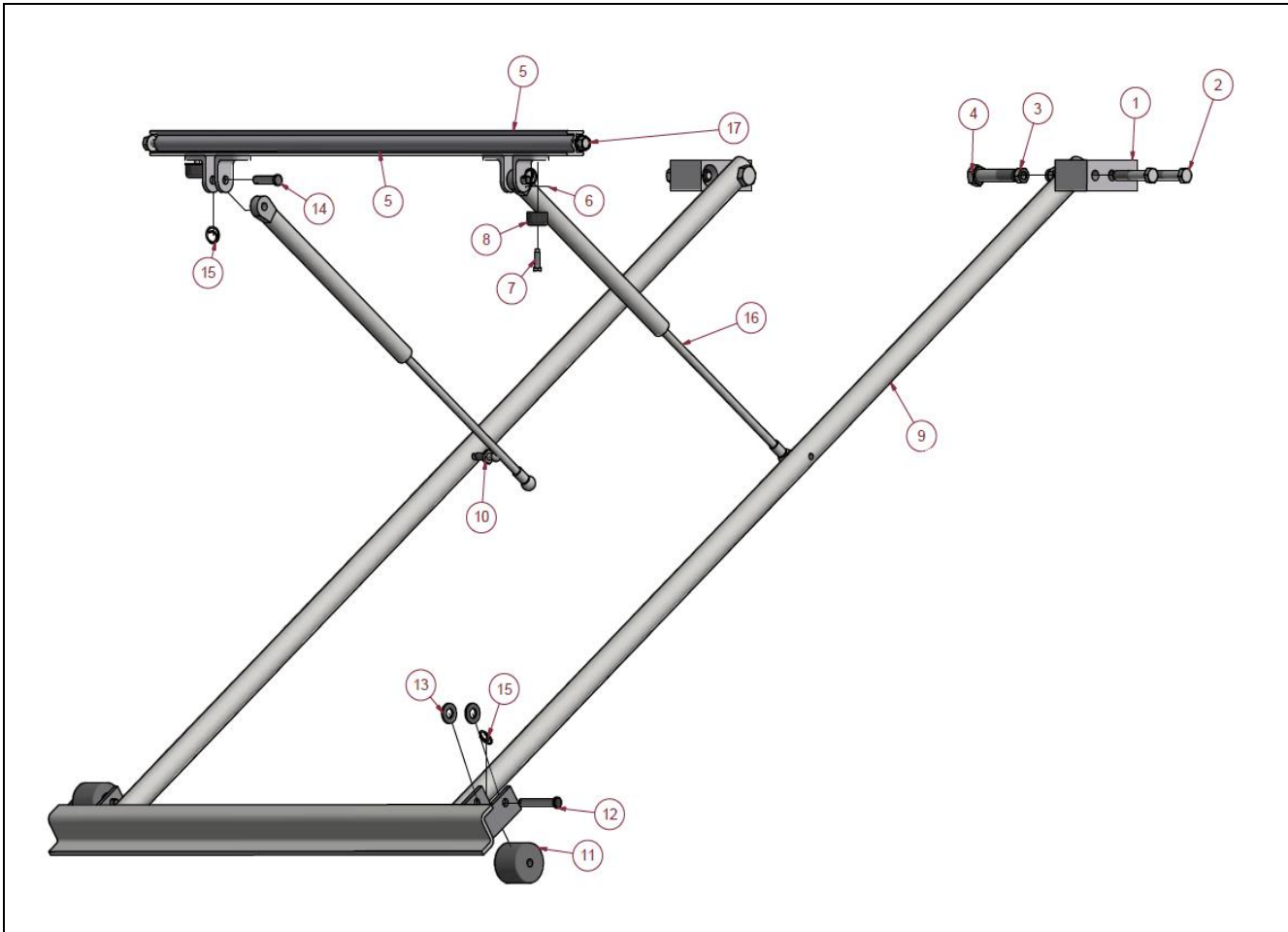
Part No. R01147-1

Item #	Part Description	Quantity
1	1/4"-20 NYLON INSERT STOP NUT SS	10
2	1/4"-20 X 1 GR5 HEX HD CAP SCREW ZP	4
3	1/4"-20 X 3/4" HEX HD CAP SCREW SS	6
4	LA APRON ASSEMBLY 3-5/8' X 25-1/8" RAMP OD 25-7/8'	1
5	MOUNTING BLOCK LA - RW	2

Lift Assist Kit, Std. with Apron (cont'd)

Item #	Part Description	Quantity
6	3/8"-16 X 2 HEX HD CAP SCREW GR5 ZP	4
7	3/8"-16 LOCK W/NYLON INSERT NUT SS	4
8	1/2"-12 X 2-1/2" HEX HD CAP SCREW GR8 ZP	2
9	TIE ROD W/ SPRING BRACKET 24-3/4" W	1
10	WASHER, FLAT 3/16" X 1" 18-8 SS	2
11	SCREW SLF DRL SS HEX HD 10-16 x 3/4"	2
12	BUMPER 7/8" OD X 17/32" HIGH W/HOLE	2
13	TROLLEY FRAME - RAMP OD 25-7/8"	1
14	BALL STUD 10MM	2
15	ROLLER 1-5/8" OD UHMW BLK - RW	2
16	CLEVIS PIN 5/16" X 2-1/8" ZP	2
17	WASHER FLAT 3/8" X 7/8" 18-8 SS	4
18	CLEVIS PIN 5/16" X 1-1/4" ZP	2
19	1/2"-13 X 1-1/4" ZP CARRIAGE BOLT	2
20	COTTER CIRCLE 5/8" SS	4
21	SPRING GAS WITH ENDS 10' 12' 14' & 16' RAMP	2
22	TIE ROD SCREW	2
23	WASHER CONICAL 115 THK .515" ID 1.5" OD	2
24	1/2"-13 X 1" THIN WALL COUPLER NUT ZP	2

Lift Assist Kit, Std. w/o Apron



Lift Assist Kit, Std. w/o Apron

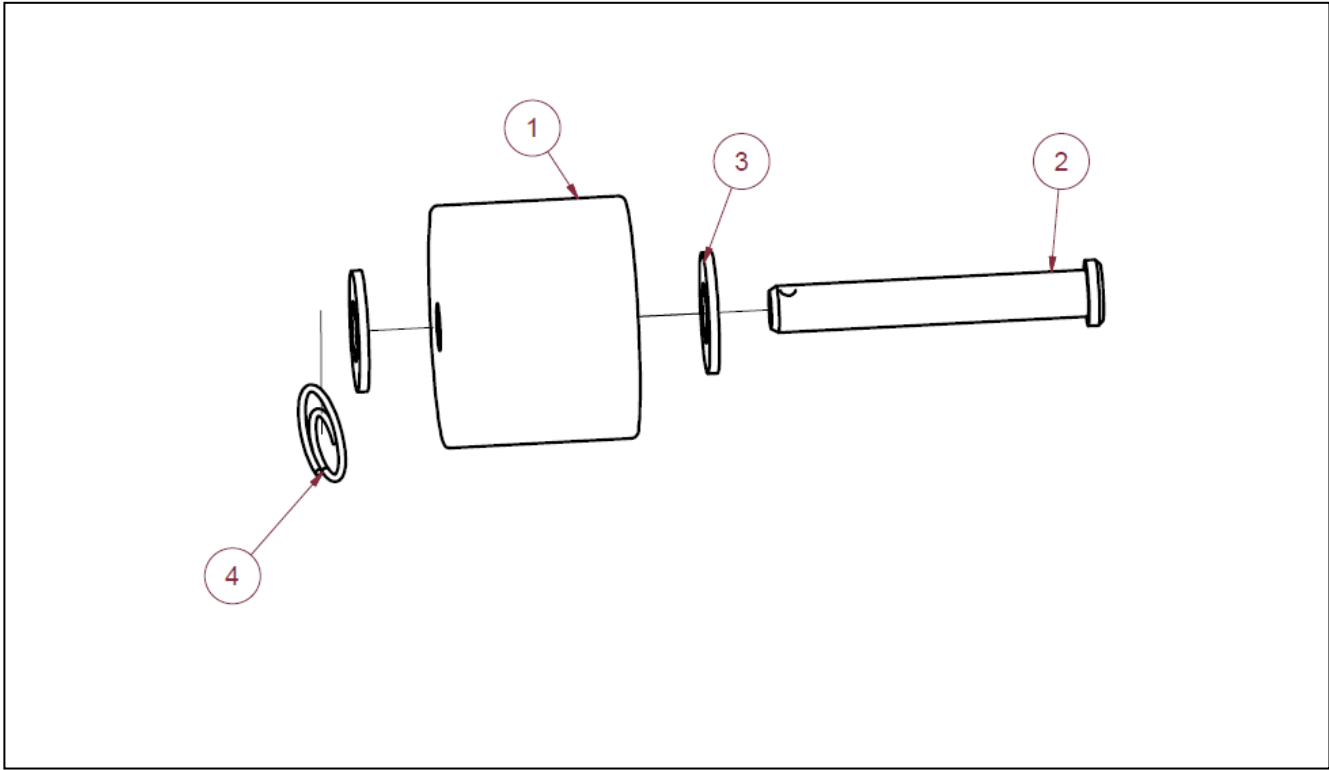
Part No. R01147-2

Item #	Part Description	Quantity
1	MOUNTING BLOCK LA -RW	2
2	3/8"-16 X 2" HEX HD CAP SCR GR5 ZP	4
3	3/8"-16 LOCK W/NYL INS NUT SS	4
4	1/2"-13 X 2-1/2" HEX HD CAP SCR GR8 ZP	2
5	SPRING BKT W/ TIE ROD LIFT ASSIST	1

Lift Assist Kit, Std. w/o Apron (cont'd)

Item #	Part Description	Quantity
6	WASHER FLAT 3/16" X 1" 18-8 SS	2
7	SCR SLFDRL SS HEX HD 10-16 x 3/4"	2
8	BUMPER 7/8' OD X 17/32" HIGH W/HOLE	2
9	TROLLEY FRAME ASSY LA-RW PLT'D	1
10	BALL STUD 10MM	2
11	ROLLER 1-5/8" OD UHMW BLK - RW	2
12	CLEVIS PIN 5/16" X 2-1/8" ZP	2
13	WASHER FLAT 3/8" X 7/8" 18-8 SS	4
14	CLEVIS PIN 5/16" X 1-1/4" ZP	2
15	COTTER CIRCLE 5/8" SS	4
16	SPRING GAS W/ENDS 10' 12' 14' & 16' RAMP	2
17	TIE ROD SCREW	2

Lift Assist Wheel Kit

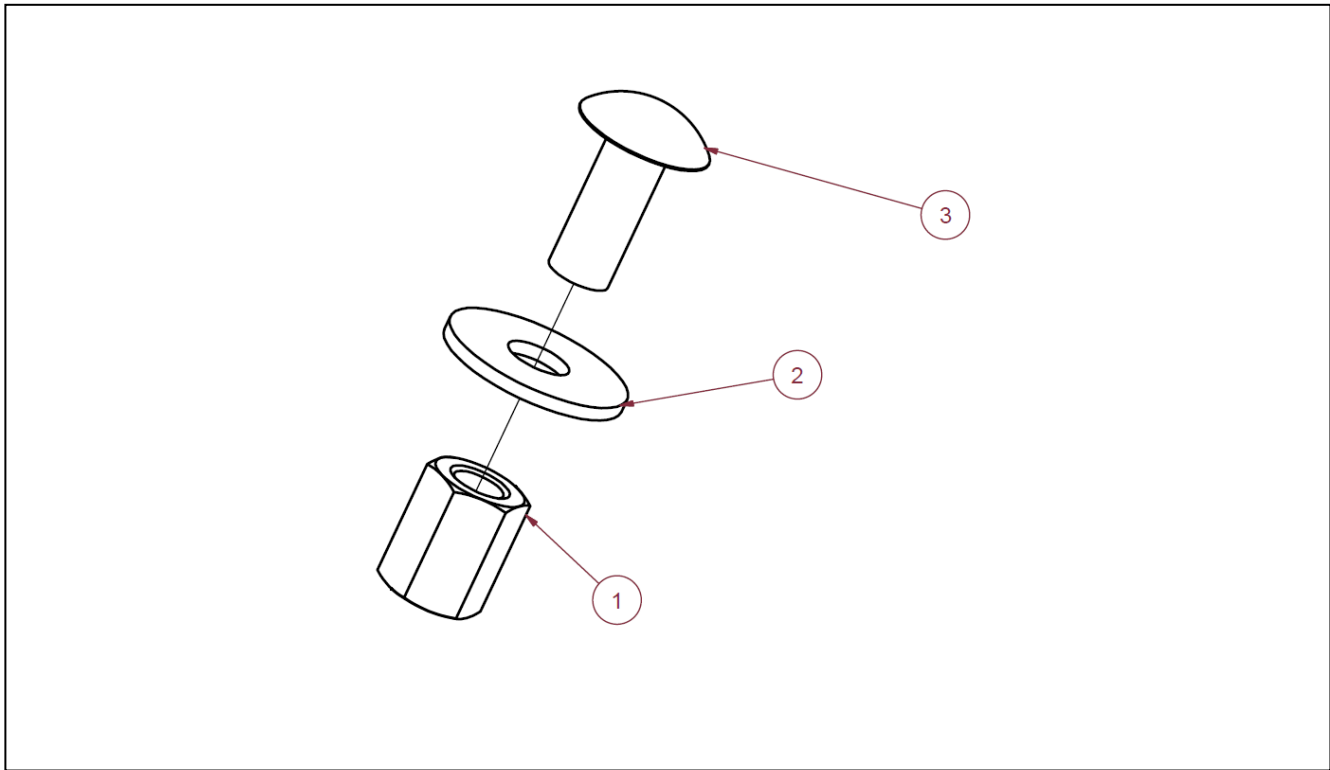


Lift Assist Wheel Kit

Part No. R04284

Item #	Part Description	Quantity
1	ROLLER RW & LA 1-5/8" OD UHMW BLK	1
2	CLEVIS PIN 5/16" X 2-1/8" ZP	1
3	WASHER 3/8" X 7/8" 18-8 FLT SS	2
4	COTTER CIRCLE 5/8" SS	1

Ramp Pin Replacement Kit

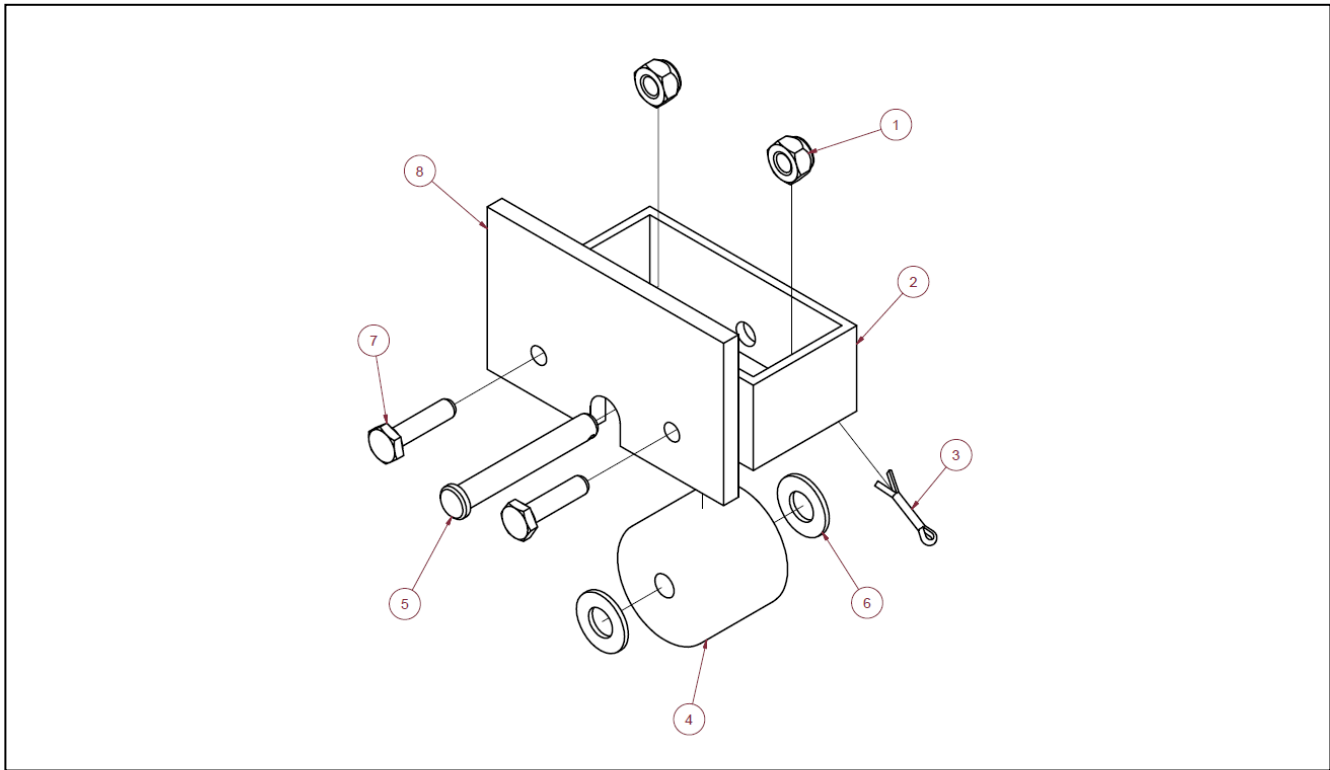


Ramp Pin Replacement Kit

Part No. R04279

Item #	Part Description	Quantity
1	1/2"-13 X 1 THIN WALL COUPLER NUT ZP	1
2	WASHER CONICAL 115 THK .515" ID 1.5" OD	1
3	CARRIAGE BOLT 1/2"-13 X 1-1/4" ZP	1

Roller Replacement Kit

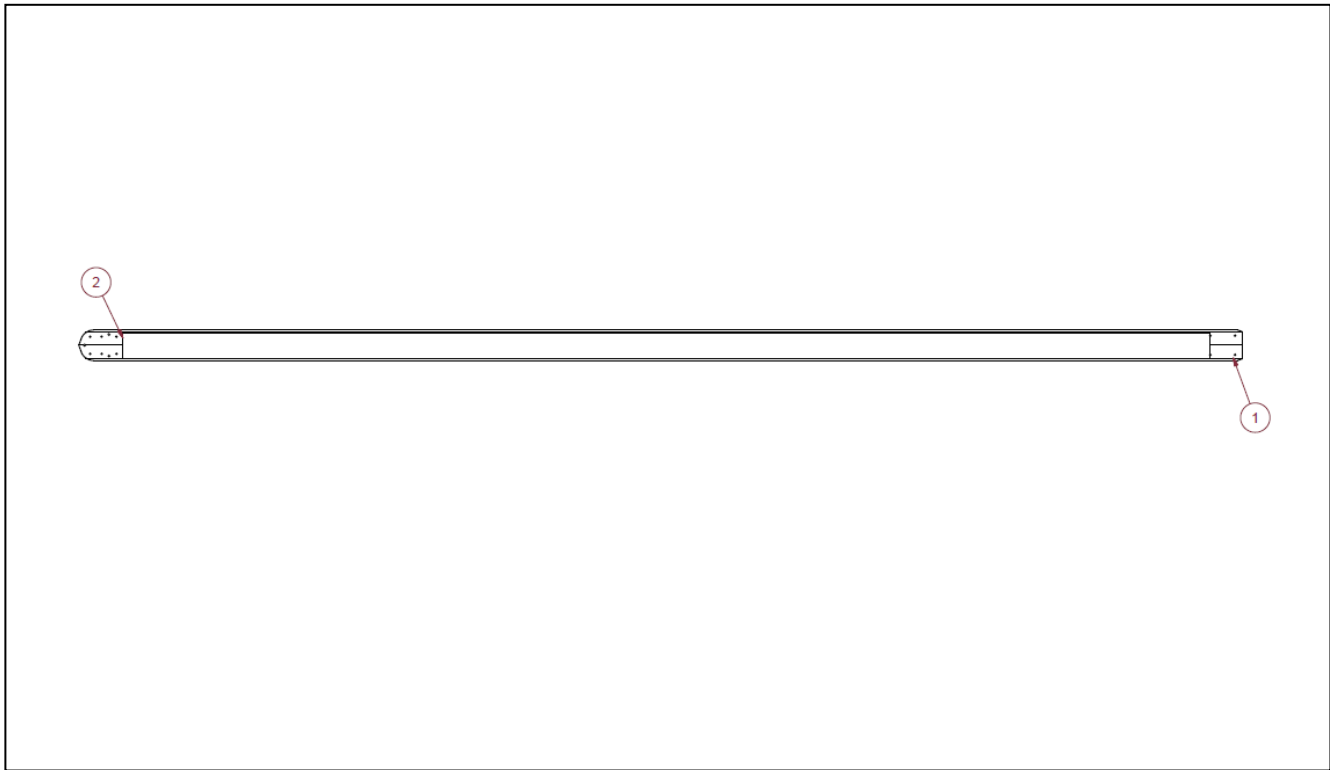


Roller Replacement Kit

Part No. R04280

Item #	Part Description	Quantity
1	1/4"-20 NYLON INSERT STOP NUT SS	2
2	ROLLER HOUSING	1
3	COTTER PIN 1/8" X 3/4" SS	1
4	ROLLER RW & LA 1-5/8" OD UHMW BLK	1
5	CLEVIS PIN 5/16" X 2-1/4" ZP	1
6	WASHER 3/8" X 7/8" 18-8 FLT SS	2
7	1/4"-20 X 1 GR5 HEX HD CAP SCREW ZP	2
8	SUPPORT PLATE APRON	1

Side Rail Kit, RoadwarriorR, Left Side w/ Labels

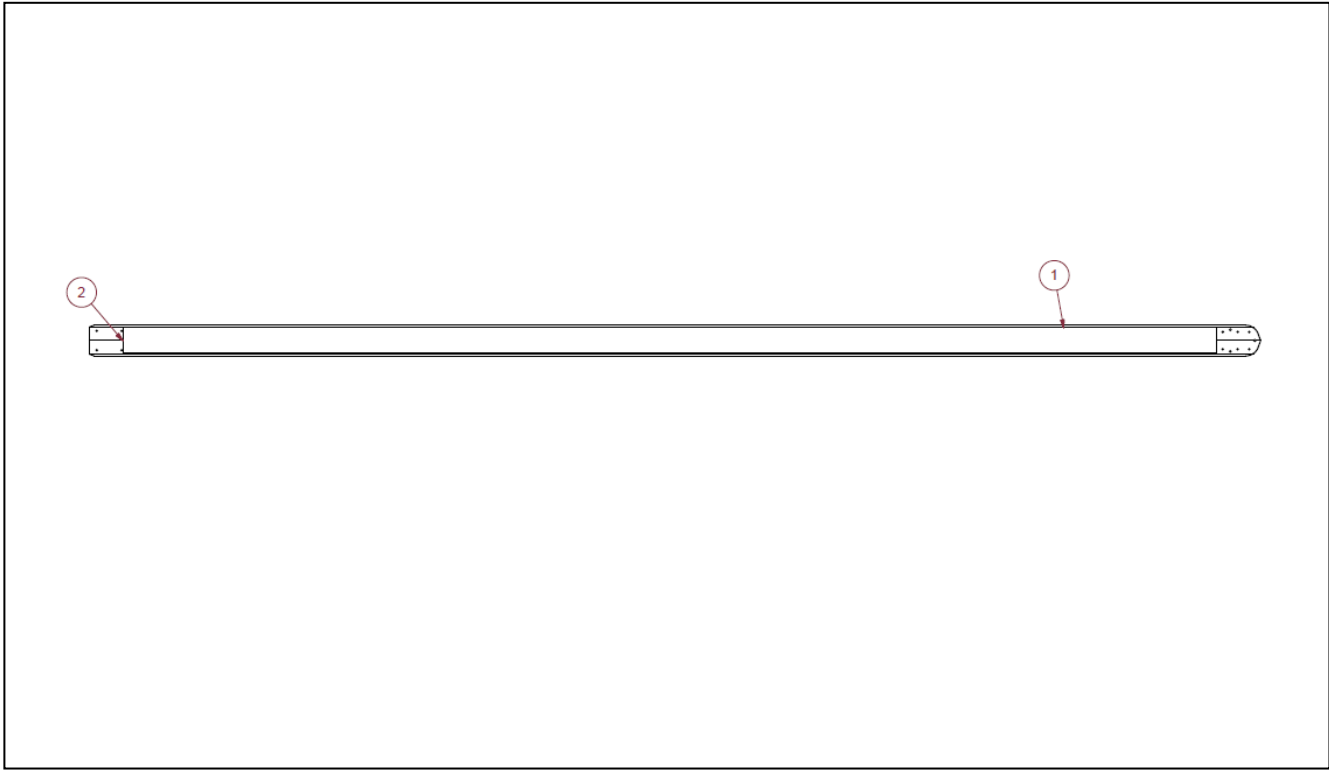


Side Rail Kit (RoadwarriorR), Left Side w/ Labels

Ramp Length	Kit Part #
16'	R03109
14'	R03111
12'	R04099
10'	R04101
8'	R04103

Item #	Part Description	Quantity
1	RAMP SIDE RAIL, LEFT SIDE	1
2	ROADWARRIOR RAMP LABEL	1

Side Rail Kit, RoadwarriorR, Right Side w/ Labels

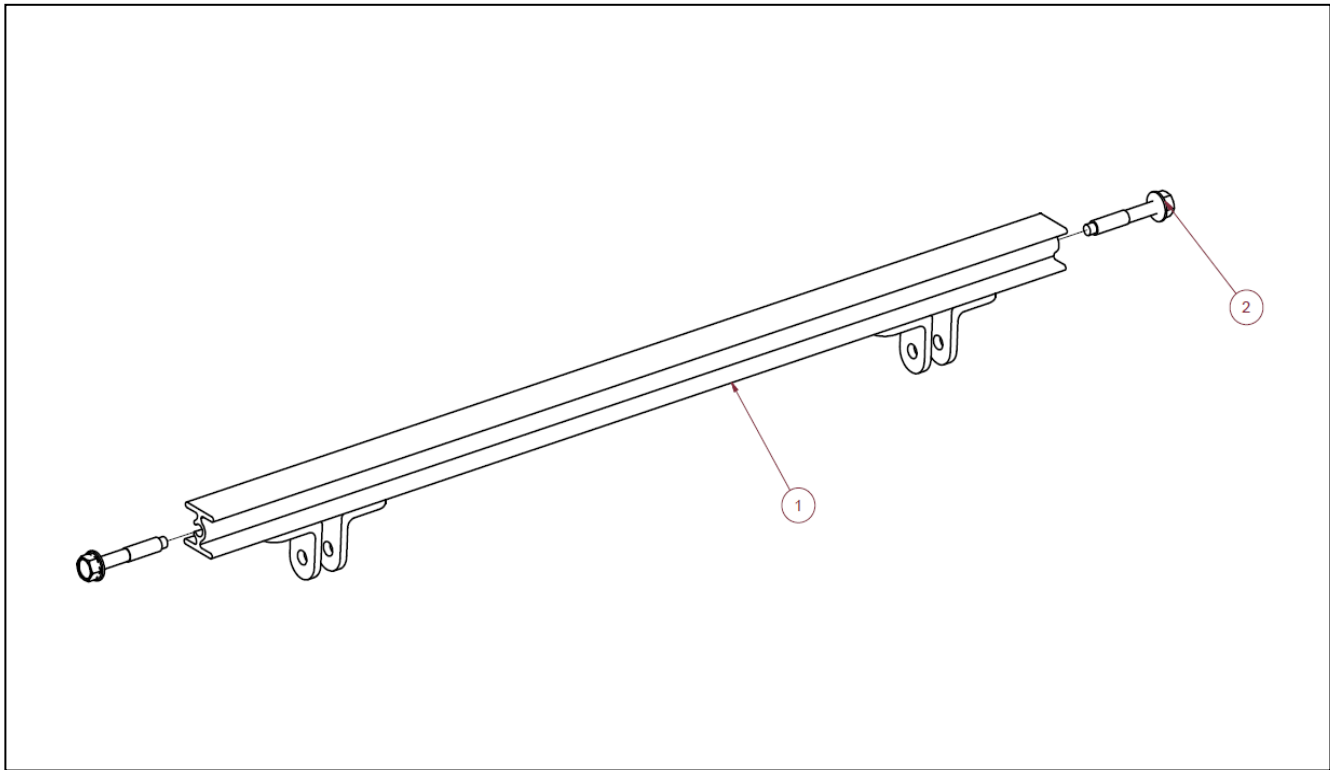


Side Rail Kit (RoadwarriorR), Right Side w/ Labels

Ramp Length	Kit Part #
16'	R03110
14'	R03112
12'	R04100
10'	R04102
8'	R04104

Item #	Part Description	Quantity
1	RAMP SIDE RAIL, RIGHT SIDE	1
2	ROADWARRIOR RAMP LABEL	1

Tie Rod, Lift Assist Replacement Kit

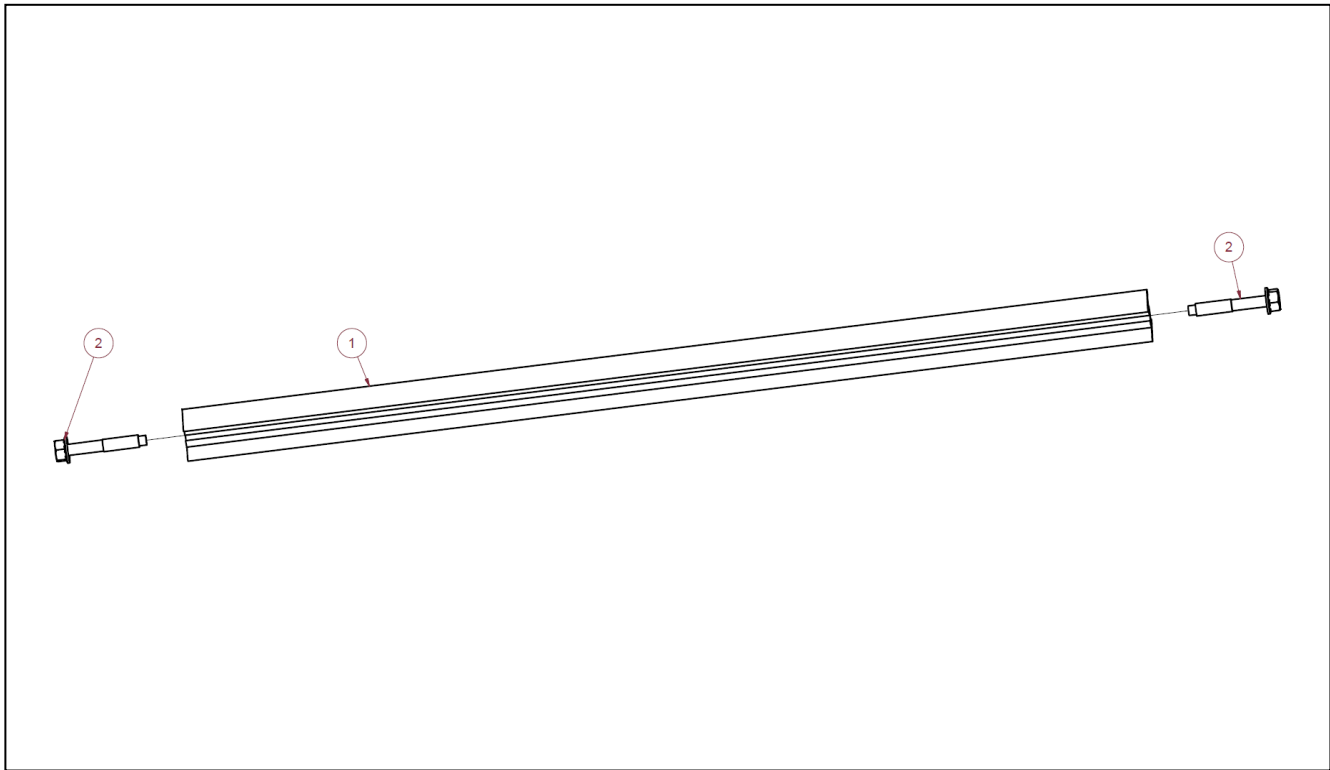


Tie Rod, Lift Assist Replacement Kit

Ramp Width	Kit Part #
25-7/8"	R04310
24-7/8"	R04310-1
23-7/8"	R04310-2
22-7/8"	R04310-3
21-7/8"	R04310-4

Item #	Part Description	Quantity
1	TIE ROD W/ SPRING BRACKET	1
2	TIE ROD SCREW	2

Tie Rod, Replacement Kit

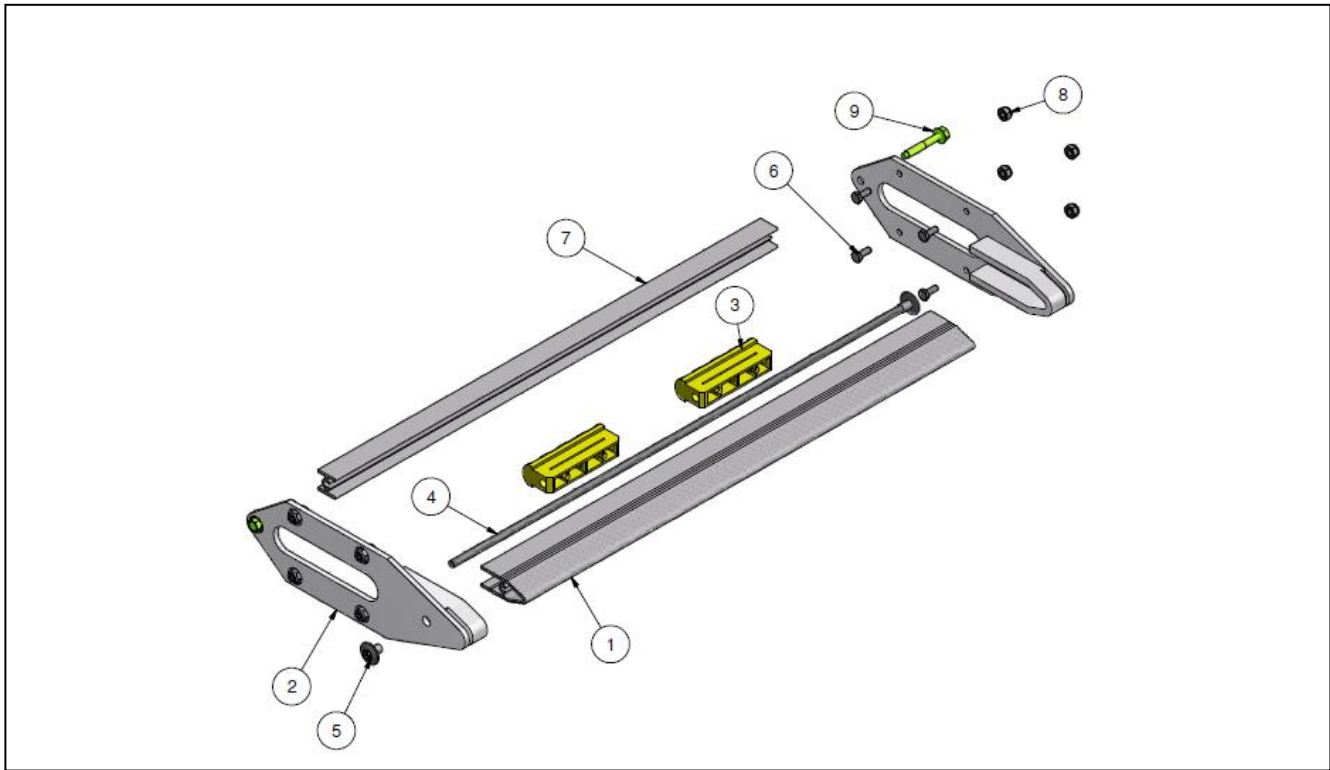


Tie Rod Replacement Kit

Ramp Width	Kit Part #
25-7/8"	R04285
24-7/8"	R04285-1
23-7/8"	R04285-2
22-7/8"	R04285-3
21-7/8"	R04285-4

Item #	Part Description	Quantity
1	TIE ROD	1
2	TIE ROD SCREW	2

Transition Plate Assembly



Transition Plate Assembly

Ramp Width	Kit Part #
25-7/8"	R00464
24-7/8"	R00465
23-7/8"	R00466
22-7/8"	R00467
21-7/8"	R00468

Item #	Part Description	Quantity
1	TRANSITION PLATE STD	1
2	WEAR BAND / PLATE WELD ASSEMBLY	2
3	HANDLE W/THRU HOLE ROADWARRIOR	2

Transition Plate Assembly (cont'd)

Item #	Part Description	Quantity
4	ALLTHREAD 5/16"-18 X 25-5/8" LONG ZP	1
5	CAMTAINER NUT 5/16"-18 X 1/2" TORX #55	2
6	1/4"-20 X 5/8" HEX HD CAP SCREW SS	8
7	TIE ROD CUT TO STD 24-3/4"	1
8	1/4"-20 NYLON INSERT STOP NUT SS	8
9	TIE ROD SCREW	2
	FM-8.5-44 - WEAR BAND / PLATE RETROFIT INSTRUCTIONS (not shown)	1