

# FDP 3535RLS

## PARTS MANUAL

---



## TABLE OF CONTENTS

Lot Number _____	1
Label Kit _____	2
Catch Plate Kit _____	3
Clevis Pin Pivot Kit _____	4
Clevis Pin Kit, Linkage _____	5
Flat Spring Kit _____	6
Ladder Kit _____	7
Linkage Arm Kit _____	8
Pull Strap _____	9
Rod Kit _____	10
Safety Rail Kit _____	11
Slam Latch Kit _____	12
Step Kit, Bottom _____	13
Steps Weldment Kit _____	14
Strap Bar Kit _____	15
Strap Kit, Safety Rail _____	16

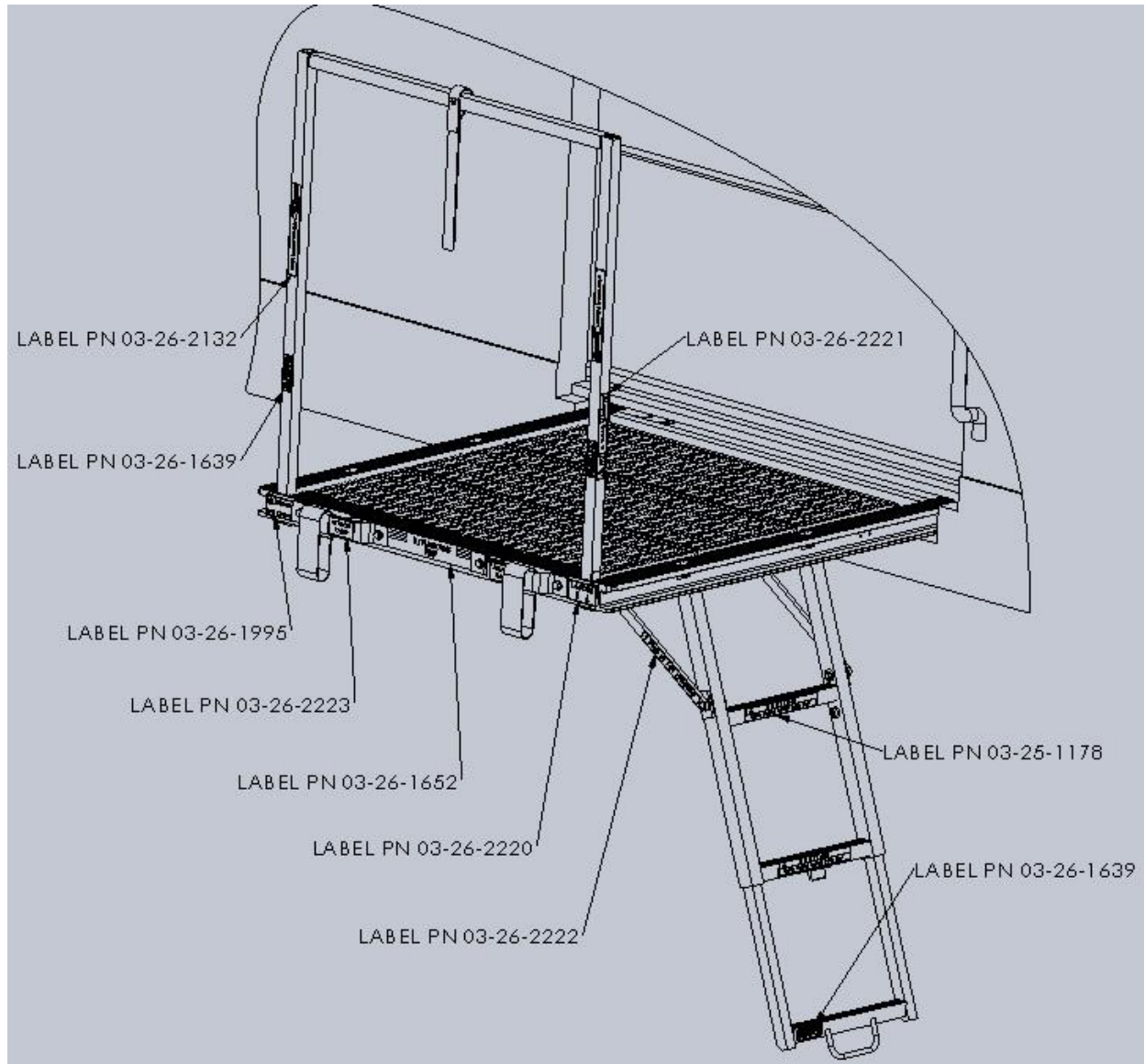
## LOT NUMBER LOCATION

**PLEASE NOTE:** Be sure to check the Lot Number before ordering parts.



Lot Number located center inside of platform

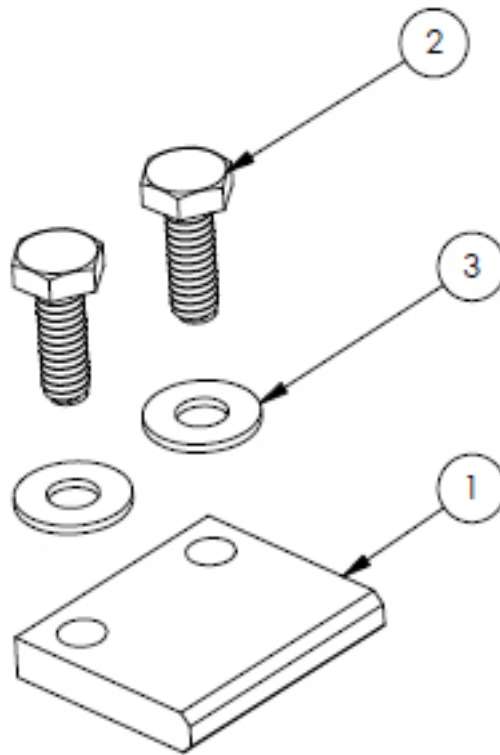
## LABEL KIT, 3535RLS



Stressing and or excessive wear can be an indication of fatigue. Any components showing these signs should be replaced immediately. All labels shown in the diagram above must be legible. If not legible, be sure to replace as soon as possible: #03-25-1178, #03-26-1639, #03-26-1652, #03-26-1995, #03-26-2132, #03-26-2220, #03-26-2221, #03-26-2222 and #03-26-2223.

**IMPORTANT:** Randall Manufacturing also recommends that the platform stairs be used on a level surface. Be sure to regularly inspect your platform for loose fasteners, and repair or replace damaged parts. Any parts that are damaged or loose can cause serious injury. Improper usage of the platform can cause damage and possibly void any remaining warranty. Please contact your Randall Territory Manager at 800-323-7424.

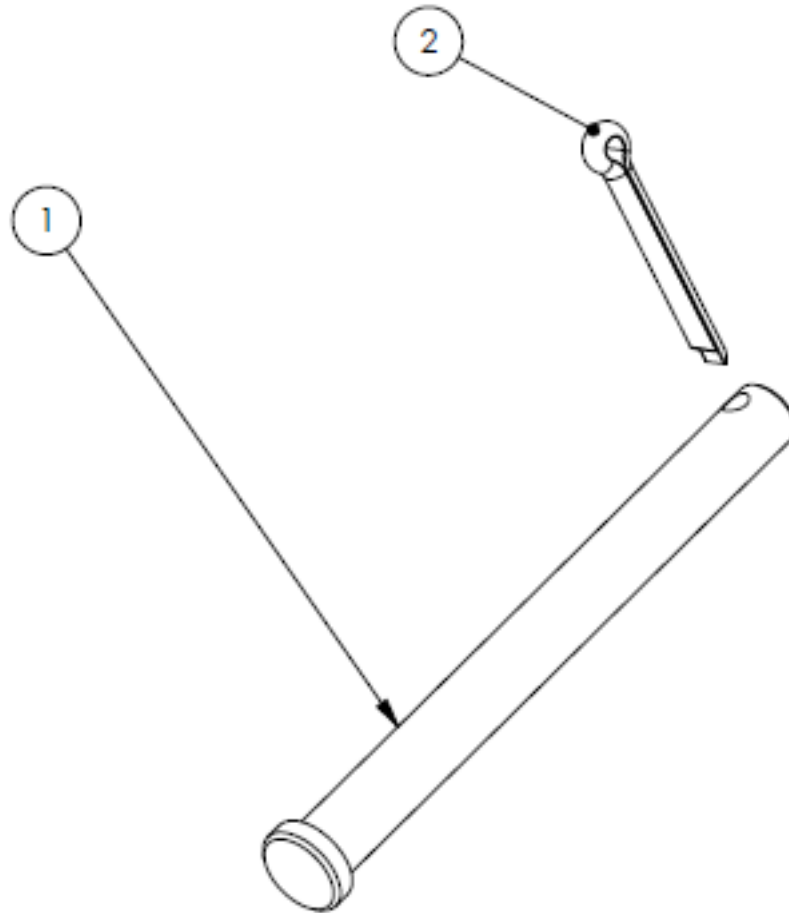
### CATCH PLATE KIT, LADDER



#### Catch Plate Kit, Ladder, Part No. 05-26-1094

Item #	Part Description	Quantity
1	CATCH PLATE, LADDER, FDP3535RL	1
2	HHCS, 1/4" -20 X 3/4", G5, ZN	2
3	WSAE 1/4" X 5/8 ODX .065, G8, CAD	2

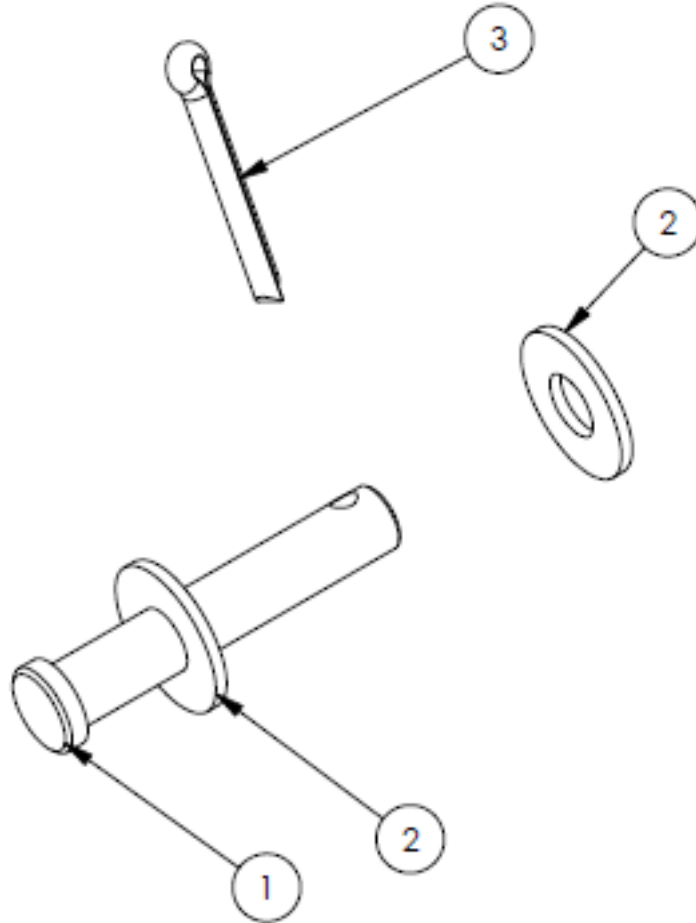
### CLEVIS PIN PIVOT KIT, LADDER



#### Clevis Pin Pivot Kit, Ladder, Part No. 05-26-1096

Item #	Part Description	Quantity
1	PIN, CLEVIS, 3/8" X 4", STL, SS	1
2	PIN, COTTER, 5/32" DIA. 1-1/4" L , CAD	1

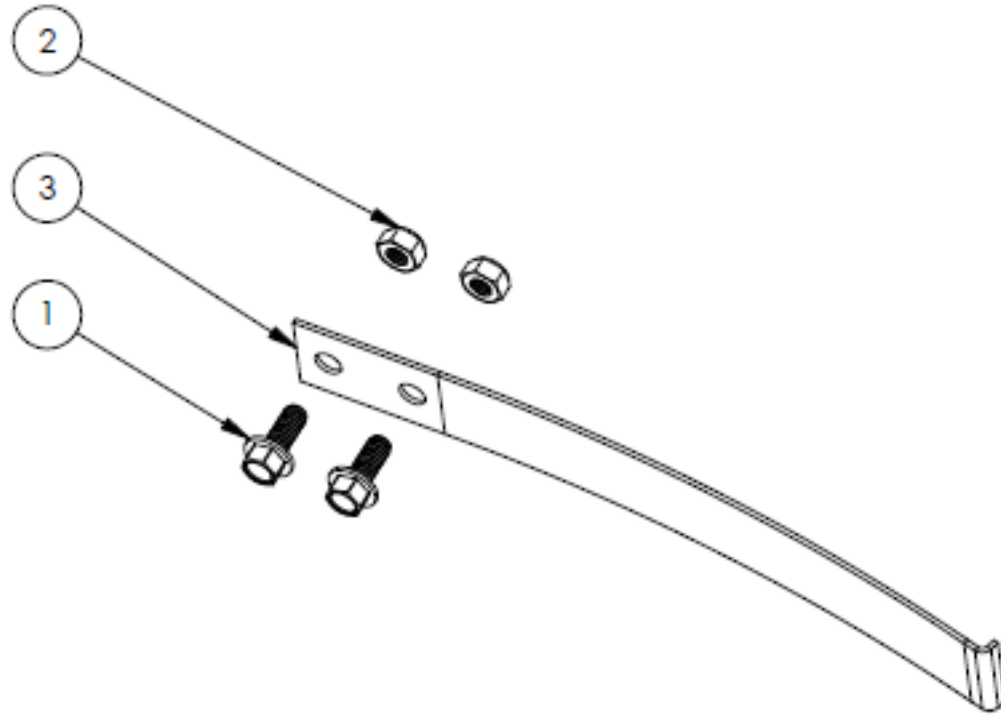
### CLEVIS PIN KIT, LINKAGE, LADDER



### Clevis Pin Kit, Linkage, Ladder Part No. 05-26-1098

Item #	Part Description	Quantity
1	PIN, CLEVIS, 3/8" DIA X 2.13"L, SS	1
2	WASHER, 3/8" ID X 7/8"OD, SS	2
3	PIN, COTTER, 5/32" DIA. 1-1/4" L , CAD	1

### FLAT SPRING KIT, LADDER

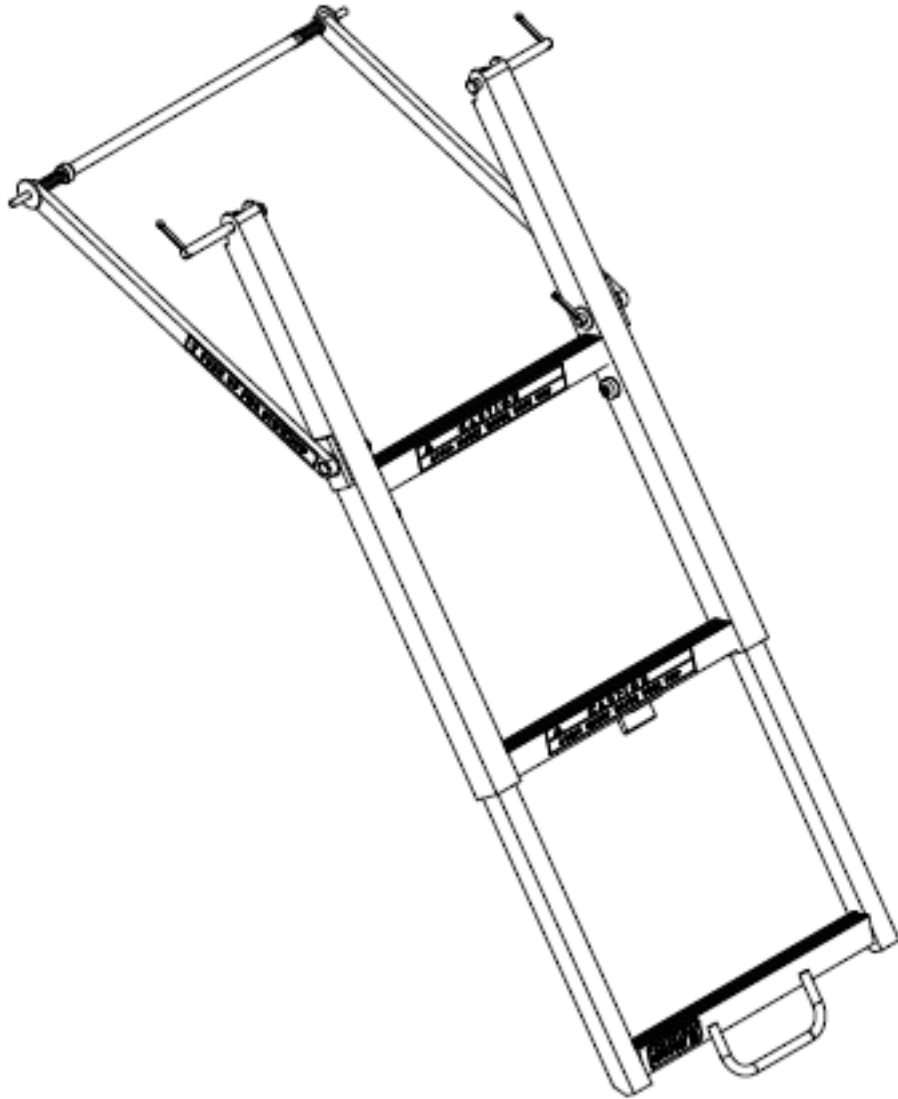


### Flat Spring Kit, Ladder, Part No. 05-26-1103

Item #	Part Description	Quantity
1	HHFCS, 1/4"-20 x 5/8", G8, CAD	2
2	HLNO, 1/4"-20 , G8, CAD	2
3	SPRING, FLAT, 1"W, SS, FDP	1



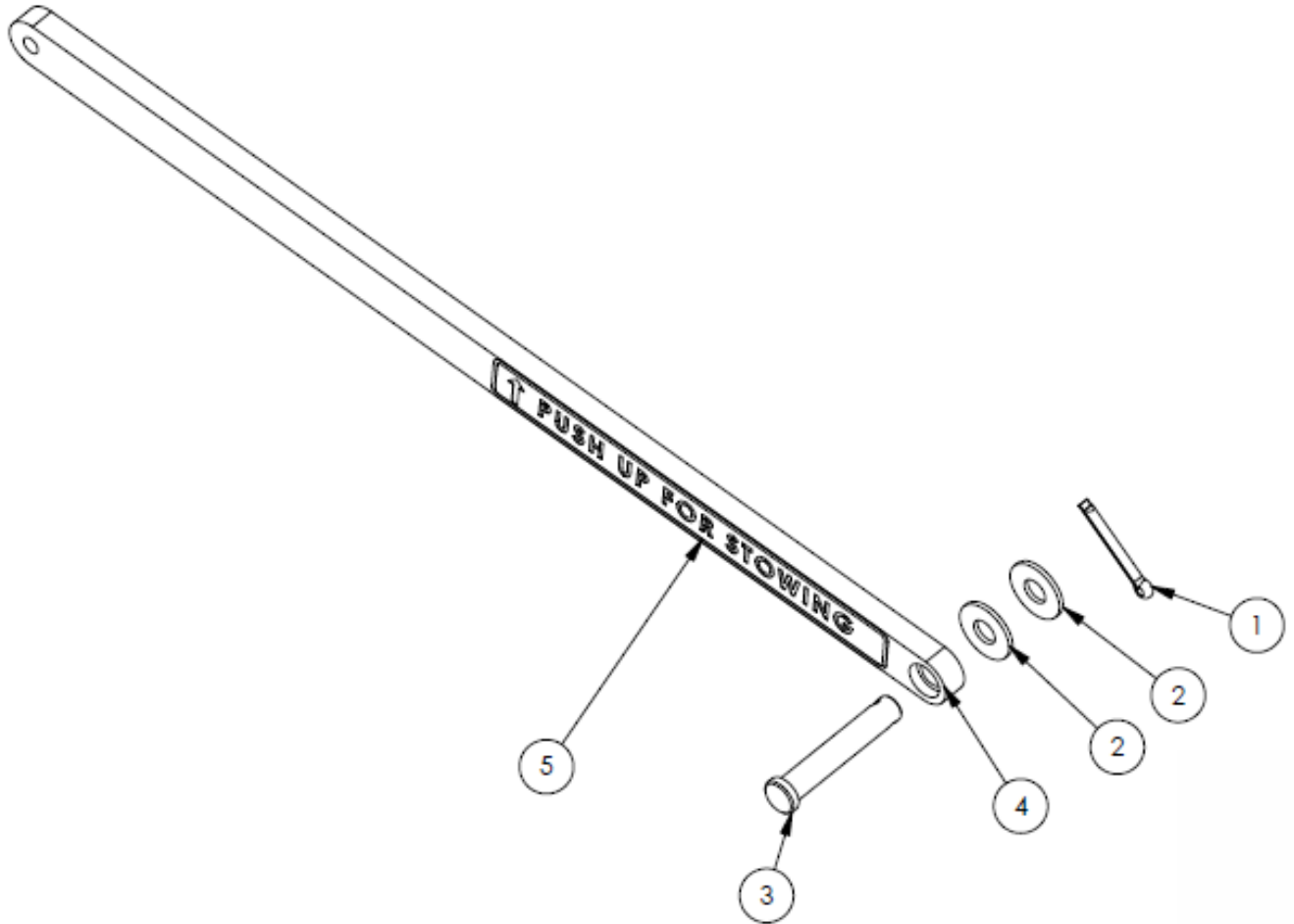
LADDER KIT



**Ladder Kit, Part No. 05-26-1091**

Item #	Part Description	Quantity
1	LADDER-LINKAGE ASSY, FDP3535RL	1

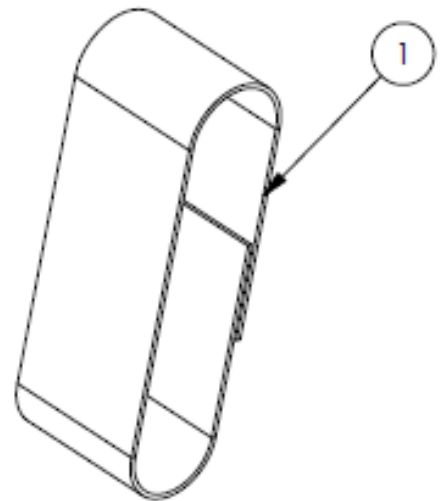
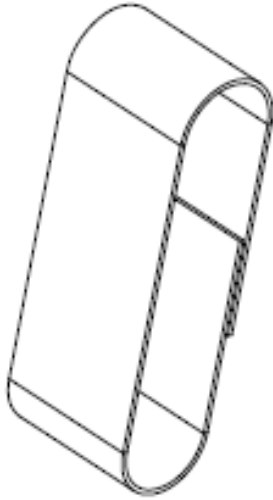
## LINKAGE ARM KIT, LADDER



### Linkage Arm Kit, Ladder, Part No. 05-26-1095

Item #	Part Description	Quantity
1	PIN, COTTER, 5/32" DIA. 1-1/4" L , CAD	1
2	WASHER, 3/8" ID X 7/8"OD, SS	2
3	PIN, CLEVIS, 3/8" DIA x 2.13"L, SS	1
4	LINKAGE, LADDER, FDP3535RL	1
5	LABEL, LINKAGE, FDP3535RL	1

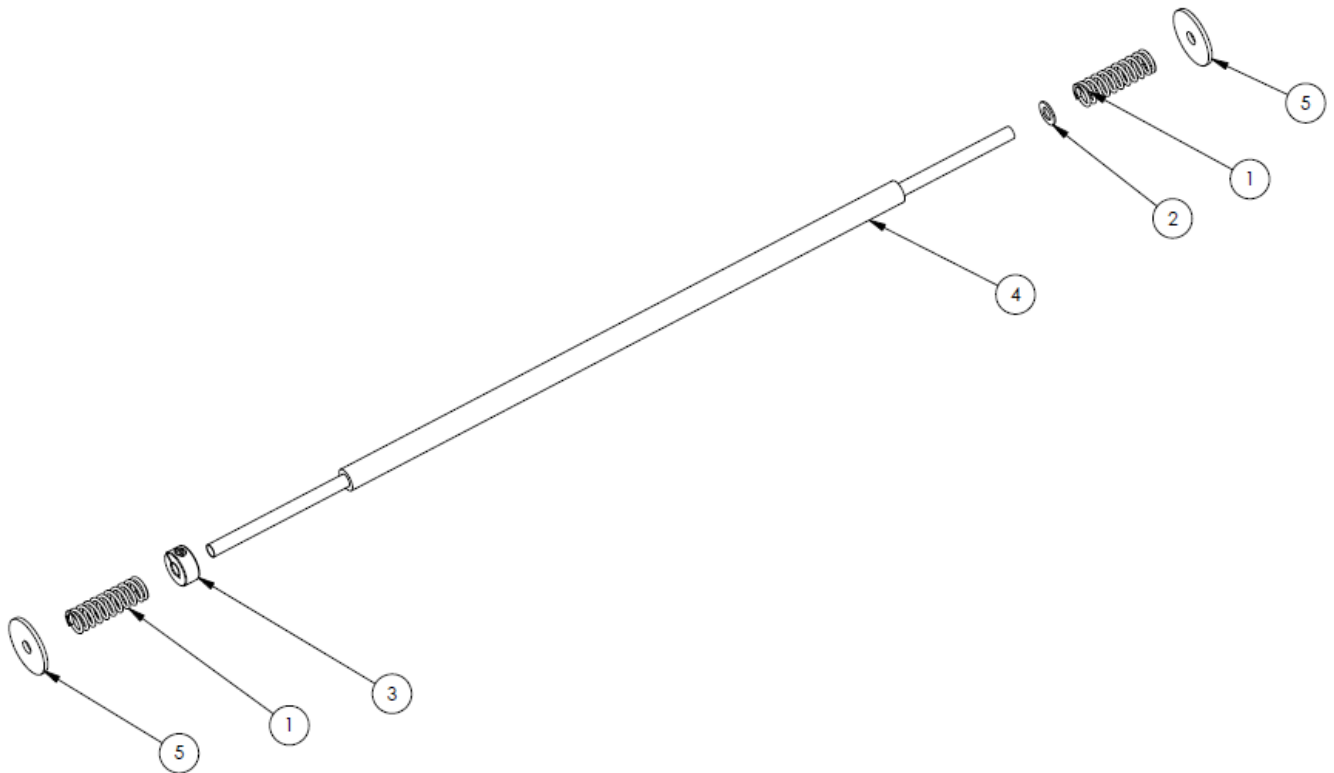
PULL STRAP



**Pull Strap Kit, Part No. 05-26-1101**

Item #	Part Description	Quantity
1	PULL STRAP, FDP3434R	1

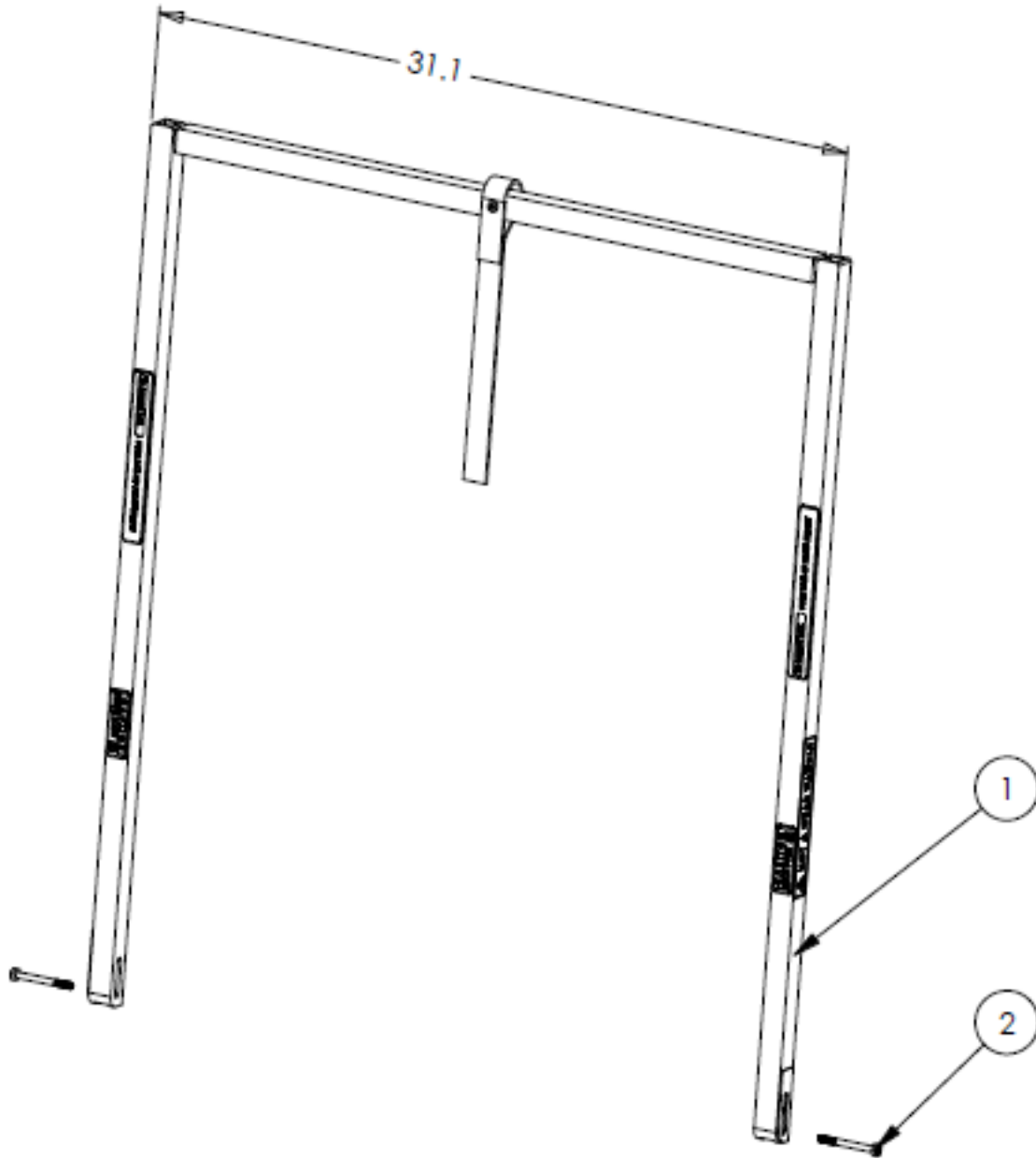
ROD KIT, LADDER



**Rod Kit, Ladder, Part No. 05-26-1097**

Item #	Part Description	Quantity
1	SPRING COMP., .48" OD, .063" WIRE, 1.5" LG.	2
2	WASHER, .255 ID X .468 OD, SS	1
3	COLLAR, 1/4" SHAFT, SS	1
4	ROD, LATCH, LADDER, FDP3535	1
5	WASHER, .257" X1.13" X .078", UHMW	2

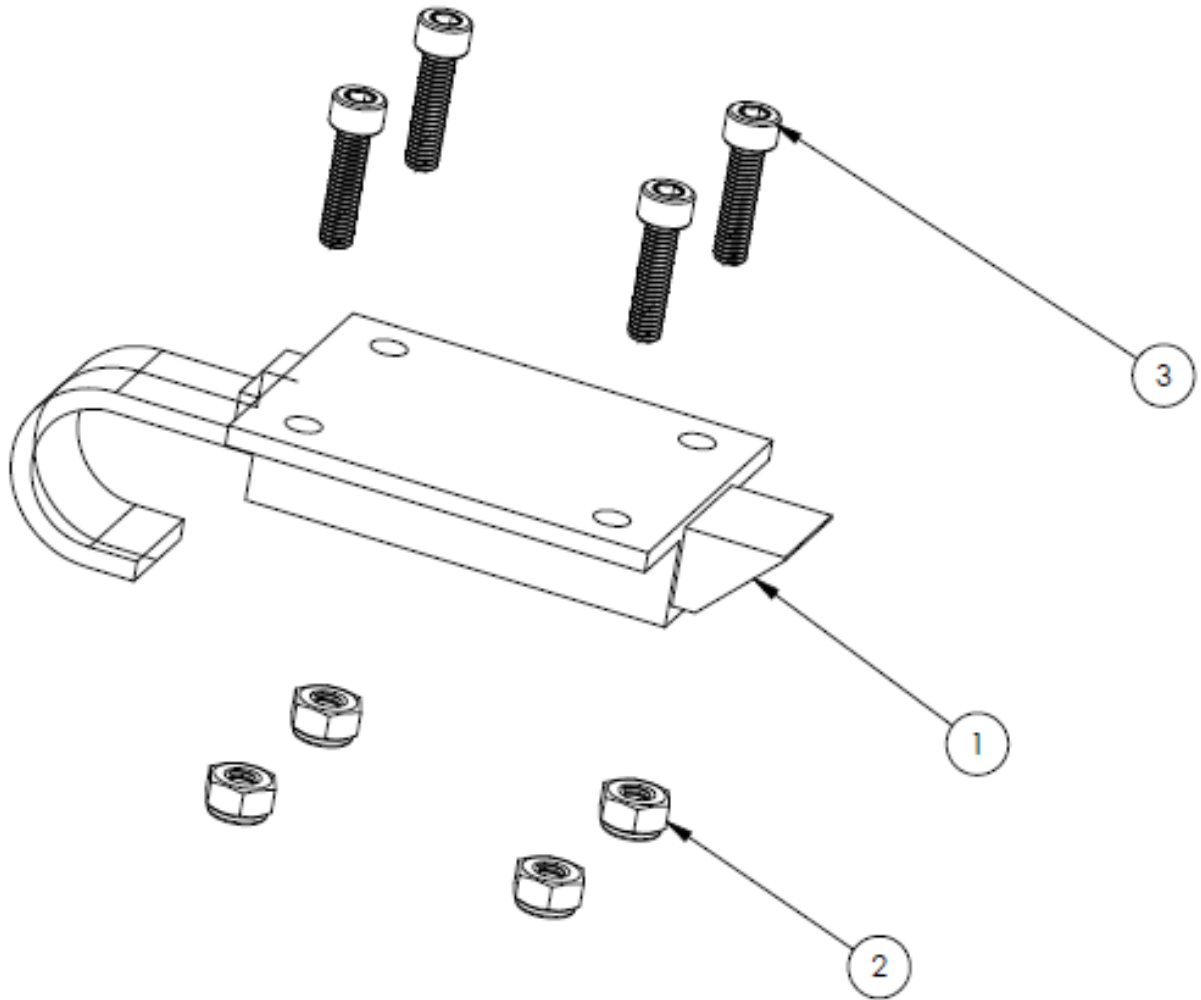
### SAFETY RAIL KIT



### Safety Rail Kit, Part No. 05-26-1099

Item #	Part Description	Quantity
1	RAIL ASSY, FDP3535RL	1
2	HHCS, 1/4"-20 X 2-1/2", G8, PT, ZN	2

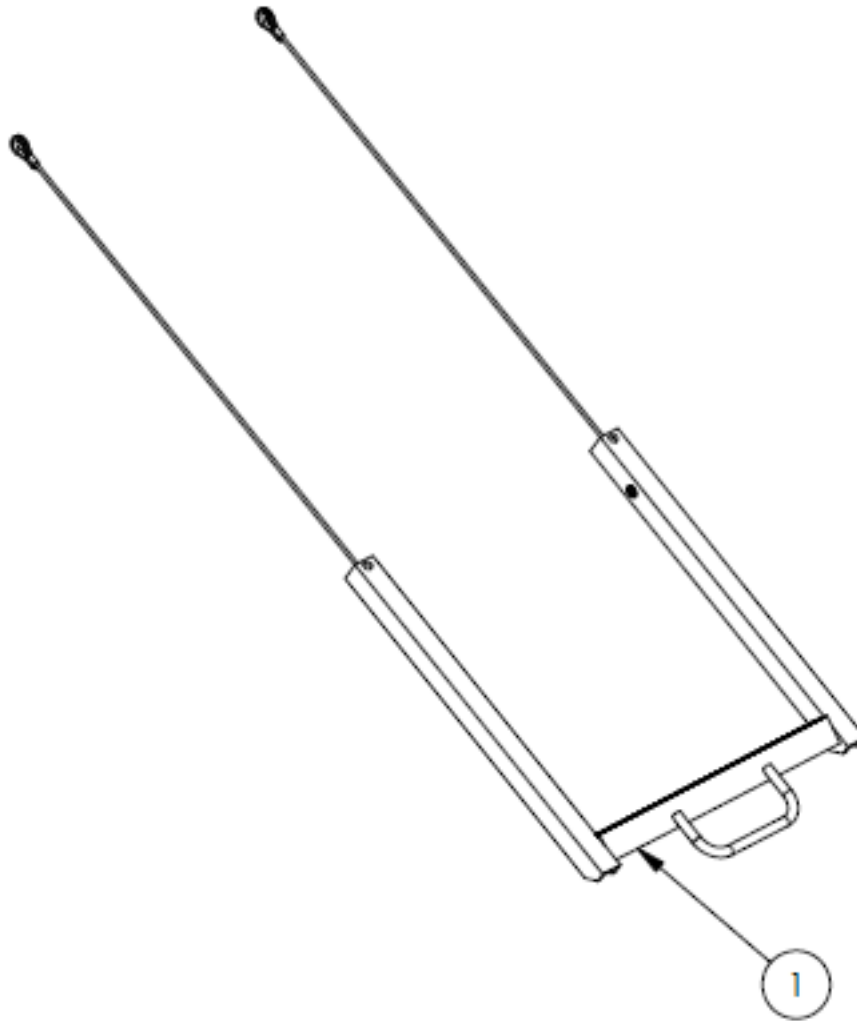
### SLAM LATCH KIT



### Slam Latch Kit, Part No. 05-26-1104

Item #	Part Description	Quantity
1	LATCH, SLAM, FDP 4128H, SS	1
2	HLNN, #10-32, SS	4
3	SHCS, #10-32 X 3/4, SS	4

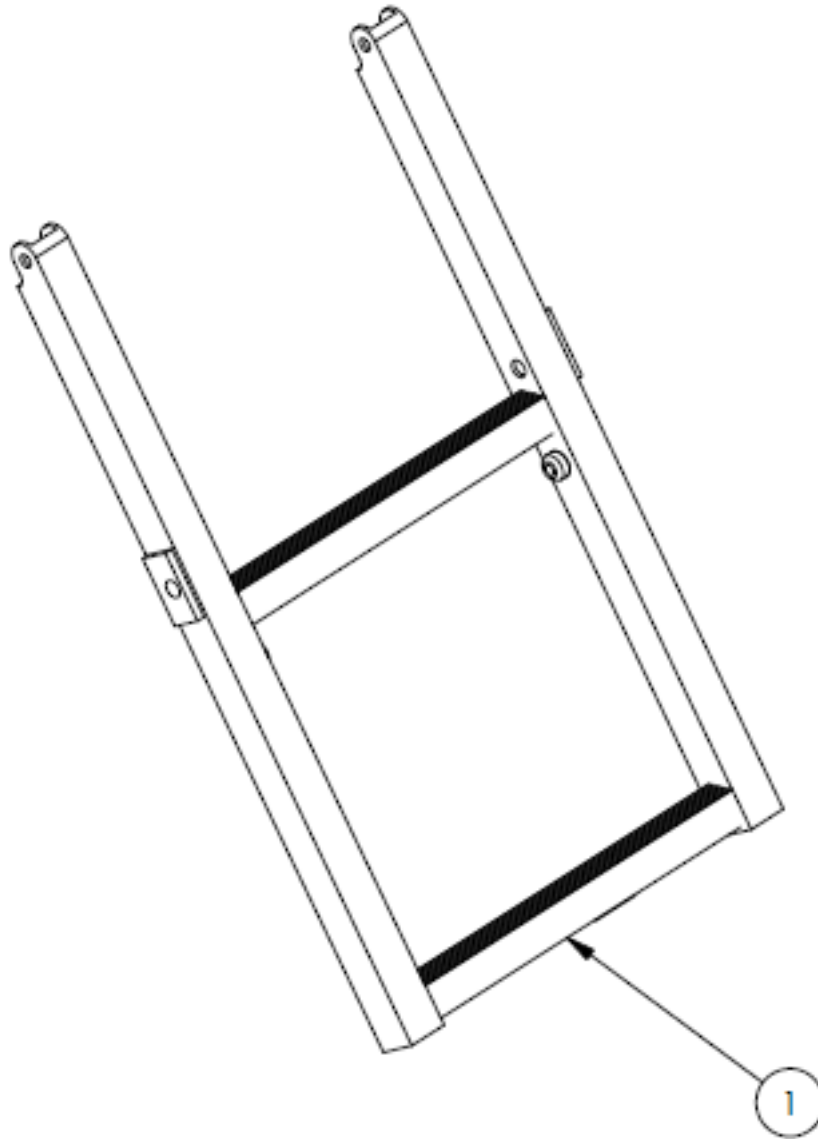
### STEP KIT, BOTTOM



### Step Kit, Bottom, Part No. 05-26-1092

Item #	Part Description	Quantity
1	LADDER, BOTTOM, ASSY, FDP3535RL	1

### STEPS WELDMENT KIT

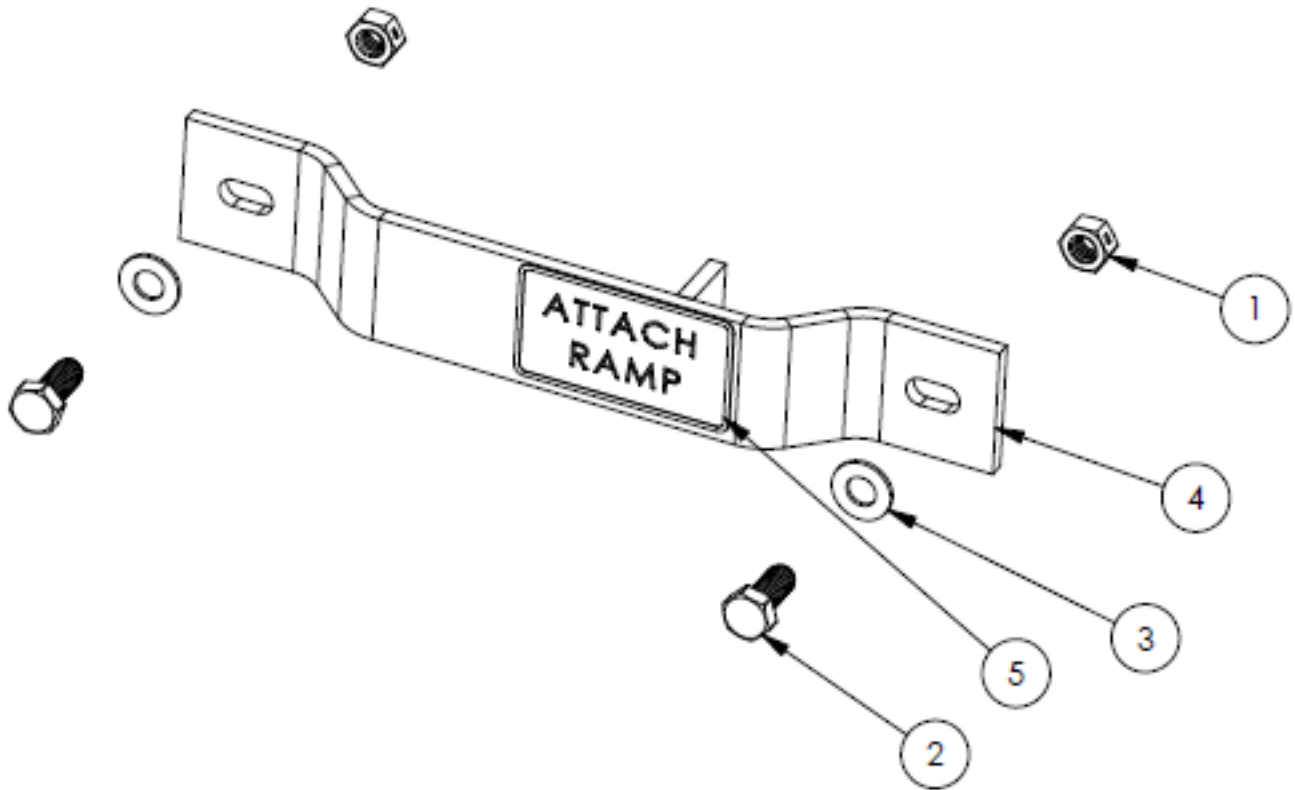


### Step Weldment Kit, Ladder, Part No. 05-26-1093

Item #	Part Description	Quantity
1	STIRRUP WELDMENT, LADDER, FDP3535RL	1



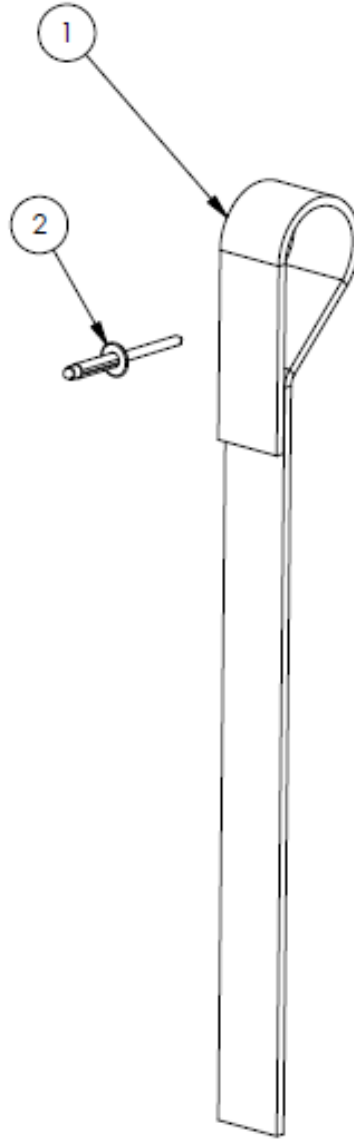
### STRAP BAR KIT



### Strap Bar Kit, Part No. 05-26-1102

Item #	Part Description	Quantity
1	HLNC, 5/16"-18, G8, CAD	2
2	HHCS, 5/16"-18 X 3/4", G8, CAD	2
3	WASHER 11/32 ID X 11/16 OD X .05 T, CAD	2
4	STRAP BAR WELDMENT, FDP3535R	1
5	LABEL, ATTACH RAMP, FDP3535RL	1

## STRAP KIT, SAFETY RAIL



### Strap Bar Kit, Safety Rail, Part No. 05-26-1100

Item #	Part Description	Quantity
1	STRAP, SAFETY RAIL, FDP3535RL	1
2	RIVET, BULBEX, 3/16" DIA, 1/8-1/4 AL	1