



# Randall Straight Ramp Parts Manual



## Table of Contents

Lot / Serial Number Location.....	4
Label Kit, Straight Ramp .....	5
Apron Kit, 26" W. Ramp .....	6
Apron Kit, 25" W. Narrow Ramp.....	7
Apron Kit, 26" W. Ramp with Lift Assist.....	8
Apron Kit, 25" W. Narrow Ramp with Lift Assist .....	9
Coupling Nut Kit / Apron Pin Kit .....	10
Extruded Panel Kit, 26" W. Ramp .....	11
Extruded Panel Kit, 25" W. Narrow Ramp .....	12
Finger Grip Kit.....	13
Lift Assist Kit, 26" W. Ramp (Replacement) .....	14
Lift Assist Kit, 26" W. Ramp (Retrofit).....	15
Lift Assist Kit, 25" W. Narrow Ramp (Replacement) .....	16
Lift Assist Kit, 25" W. Narrow Ramp (Retrofit) .....	17
Lift Assist Kit, Short Throw, 26" W. Ramp (Replacement) .....	18
Lift Assist Kit, Short Throw 26" W. Ramp (Retrofit).....	19
Lift Assist Kit, Short Throw, 25" W. Narrow Ramp (Replacement).....	20
Lift Assist Kit, Short Throw, 25" W. Narrow Ramp (Retrofit) .....	21
Lift Assist, Cross Bar Kit, Short Throw .....	22
Lift Assist, Cross Bar Kit, Short Throw, 25" Narrow Ramp.....	23
List Assist, Gas Spring Kit, Long Throw .....	24
List Assist, Gas Spring Kit, Short Throw.....	25
Lift Assist, Wheel Kit .....	26
Side Rail, 14' Ramp – Rev. A.....	27
Side Rail, 16' Ramp – Rev. A.....	28
Side Rail, 14' Ramp – Rev. B.....	29
Side Rail, 16' Ramp – Rev. B.....	30
Toe Plate Kit, 26" W. Ramp, Rev. A.....	31
Toe Plate Kit, 26" W. Ramp, Rev. B.....	32
Toe Plate Kit, Extruded, 26" W. Ramp, Rev. B.....	33
Toe Plate Kit, 25" W. Narrow Ramp, Rev. A.....	34
Toe Plate Kit, 25" W. Narrow Ramp, Rev. B.....	35
Toe Plate Kit, Extruded, 25" W. Narrow Ramp, Rev. B .....	36
Roller & Bracket Kit.....	37

Safe Panel Kit, 26" W. Ramp ..... 38  
Safe Panel Kit, 25" W. Narrow Ramp ..... 39  
Wear Plate Kit, Left Hand..... 40  
Wear Plate Kit, Right Hand ..... 41

## Lot / Serial Number Location

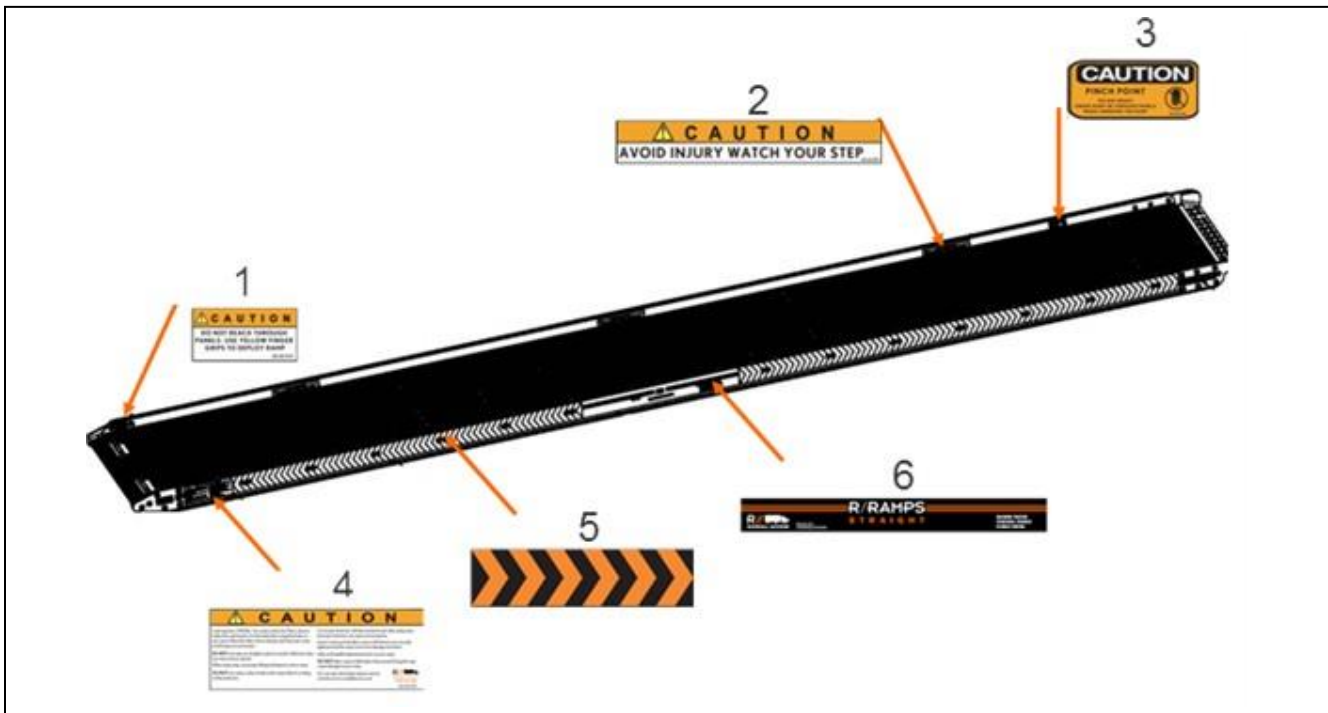
**PLEASE NOTE:**

Be sure to check the Lot / Serial Number before ordering parts.



Lot Number located on left side of ramp

## Label Kit, Straight Ramp

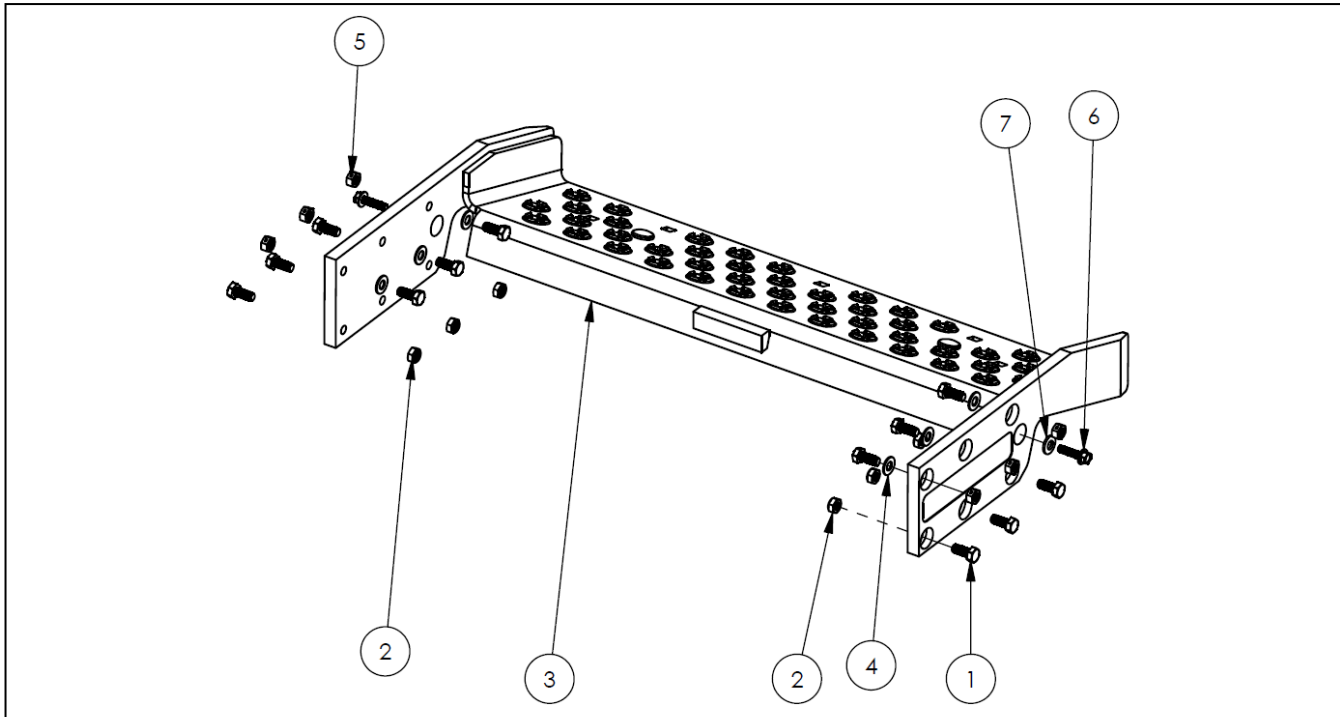


### Label Kit, Straight Ramp

Part No. 05-25-1115

Item #	Part Description	Quantity
1	LABEL, RAMP, FINGER GRIP	2
2	LABEL, RAMPS, "WATCH YOUR STEP"	6
3	LABEL, RAMPS W/LIFT ASSIST ONLY	2
4	LABEL, RAMPS, MAIN CAUTION	2
5	STRIPING, RAMPS, ORANGE/BLACK 6' Lg.	4
6	LOGO, MAIN, RANDALL RAMPS	2
7	TAPE, REFLECTIVE, RAMPS, WHITE, 1" W x 9"	2

## Apron Kit, 26" W. Ramp

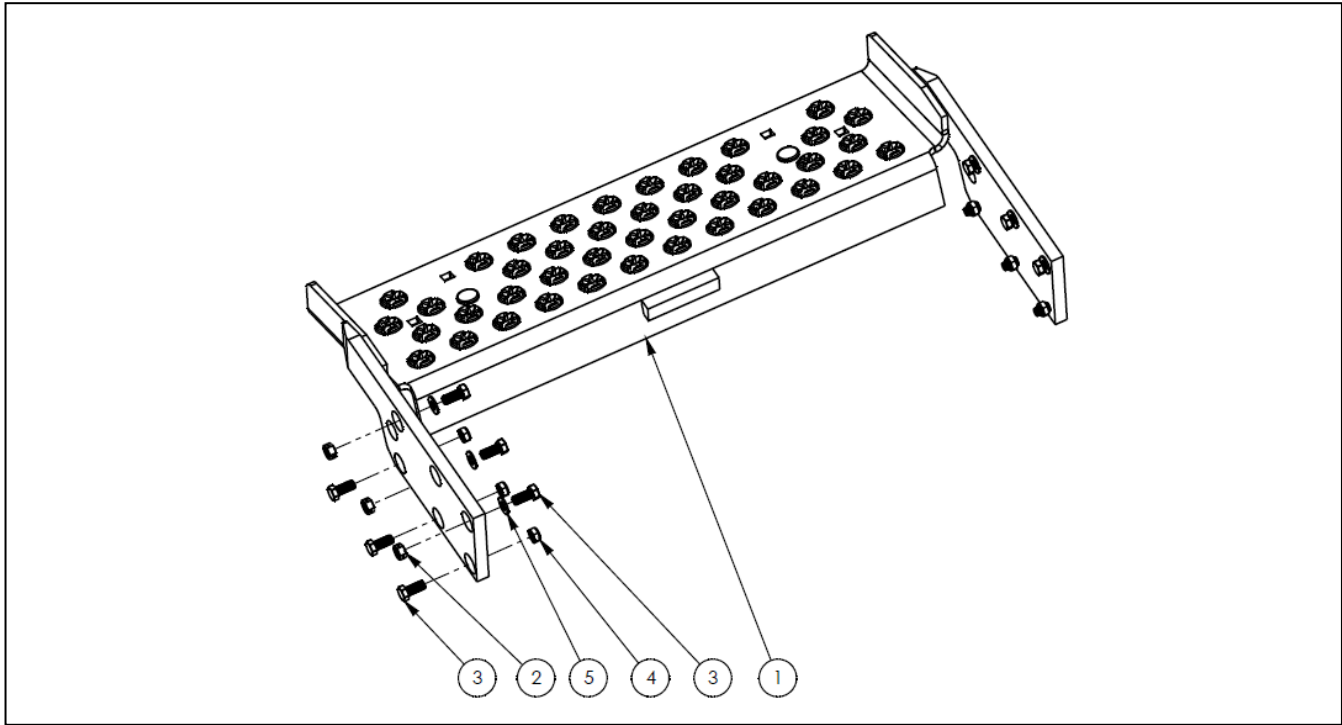


### Apron Kit, 26" W. Ramp

Part No. 05-25-1008

Item #	Part Description	Quantity
1	HHCS, 5/16"-18 X 3/4", G8, CAD	12
2	HLNN, 5/16"-18, THIN, G8, CAD	6
3	APRON PLT ASSY, STANDARD	1
4	WASHER 11/32 ID X 11/16 OD X .05 T, CAD	6
5	HLNC, 5/16"-18, G8, CAD	6
6	HHFCS, 1/4"-20 X 1", G8, CAD	2
7	WASHER, BELLEVILLE, .31 ID X .72 OD X .05 T, CAD	2

## Apron Kit, 25" W. Narrow Ramp

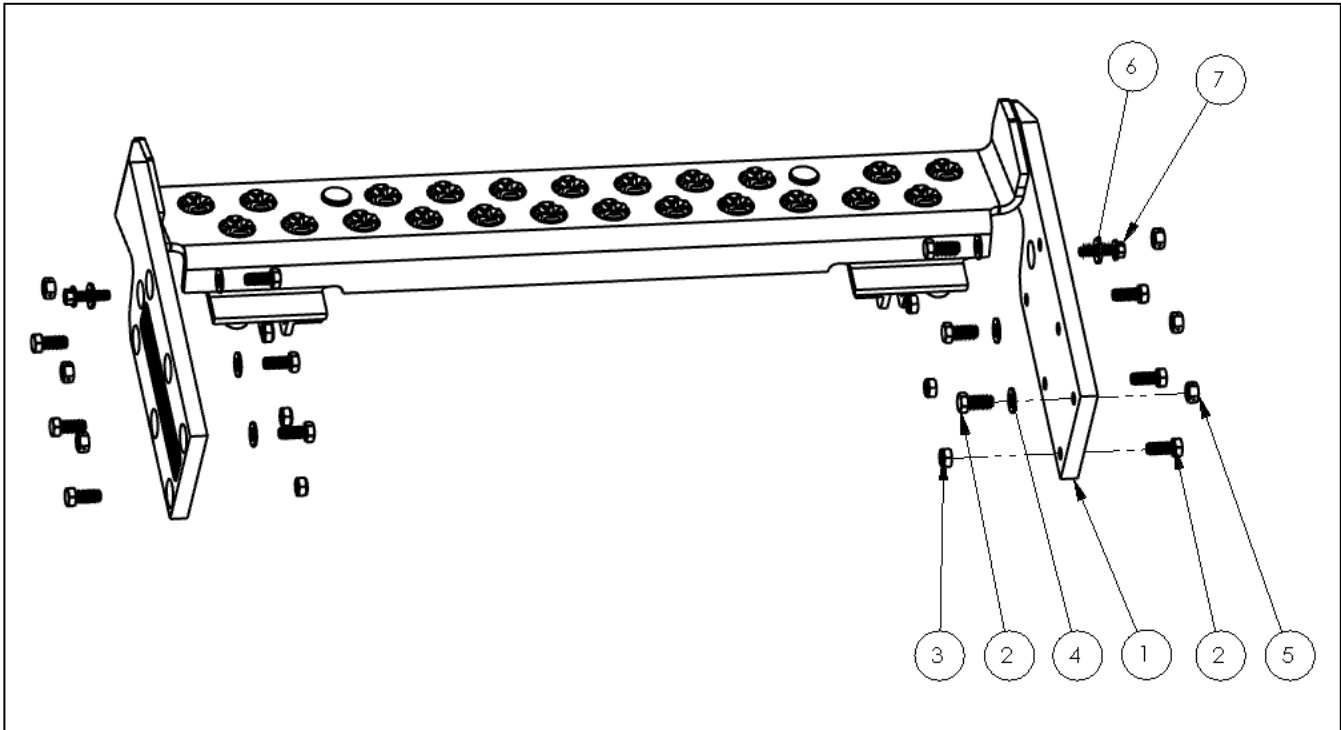


### Apron Kit, 25" W. Narrow Ramp

Part No. 05-25-1042

Item #	Part Description	Quantity
1	APRON PLT ASSY, 25" W RAMP W/STANDARD APRON	1
2	HLNC, 5/16"-18, G8, CAD	6
3	HHCS, 5/16"-18 X 3/4", G8, CAD	12
4	HLNN, 5/16"-18, THIN, G8, CAD	6
5	WASHER 11/32 ID X 11/16 OD X .05 T, CAD	6

## Apron Kit, 26" W. Ramp with Lift Assist



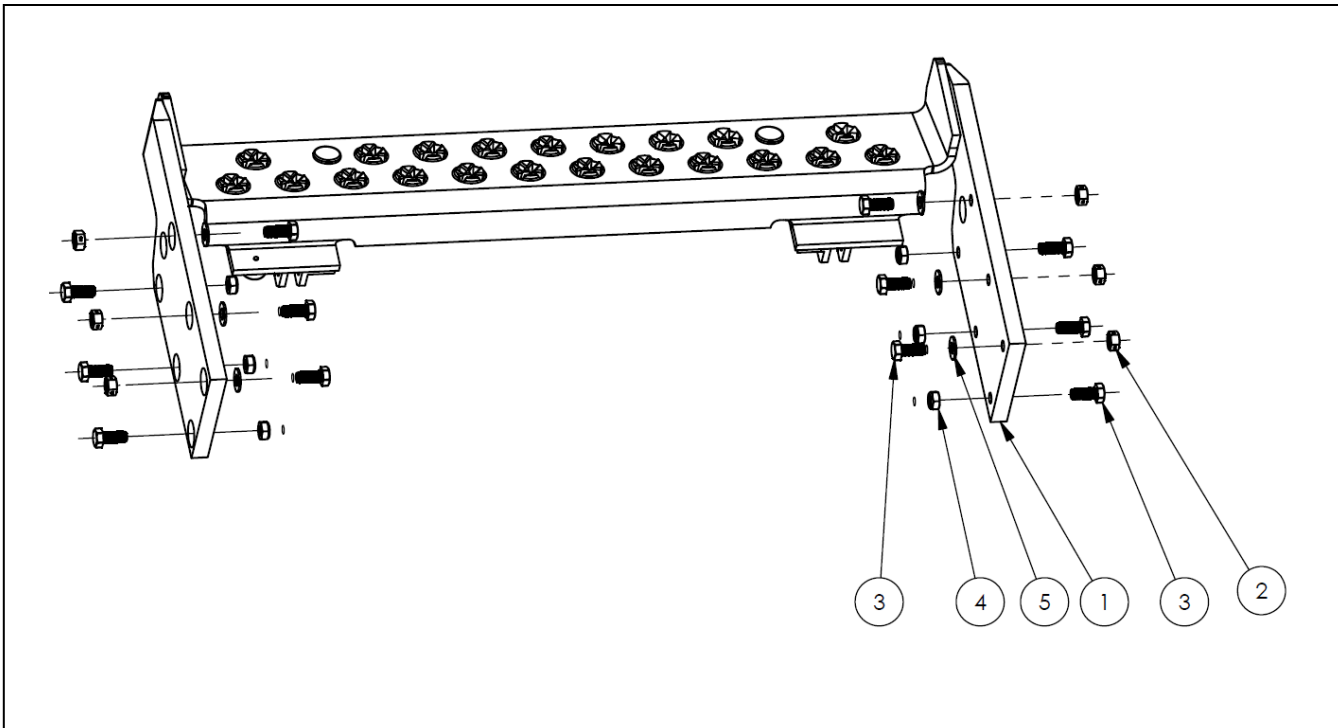
### Apron Kit, 26" W. Ramp with Lift Assist

Part No. 05-25-1007

Item #	Part Description	Quantity
1	APRON ASSY, FOR RAMP W/ LIFT ASSIST	1
2	HHCS, 5/16"-18 x 3/4", G8, CAD	12
3	HLNN, 5/16"-18, THIN, G8, CAD	6
4	WASHER 11/32 ID X 11/16 OD X .05T, CAD	6
5	HLNC, 5/16"-18, G8, CAD	6
6	WASHER, BELLEVILLE, .31 ID X .72 OD X .05 T, CAD	2
7	HHFCS, 1/4"-20 X 1", G8, CAD	2



## Apron Kit, 25" W. Narrow Ramp with Lift Assist

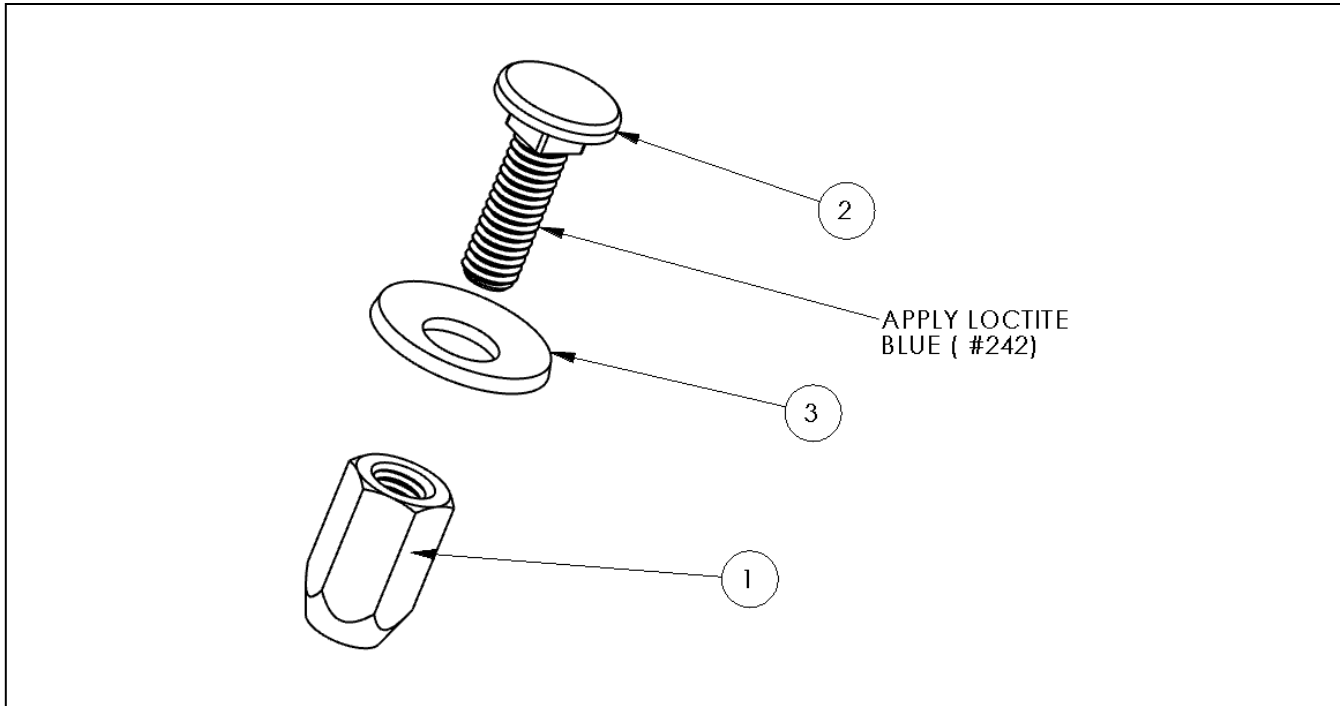


### Apron Kit, 25" W. Narrow Ramp with Lift Assist

Part No. 05-25-1043

Item #	Part Description	Quantity
1	APRON ASSY, FOR 25" W RAMP W/ LIFT ASSIST	1
2	HLNC, 5/16"-18, G8, CAD	6
3	HHCS, 5/16"-18 X 3/4", G8, CAD	12
4	HLNN, 5/16"-18, THIN, G8, CAD	6
5	WASHER 11/32 ID X 11/16 OD X .05 T, CAD	6

## Coupling Nut Kit / Apron Pin Kit

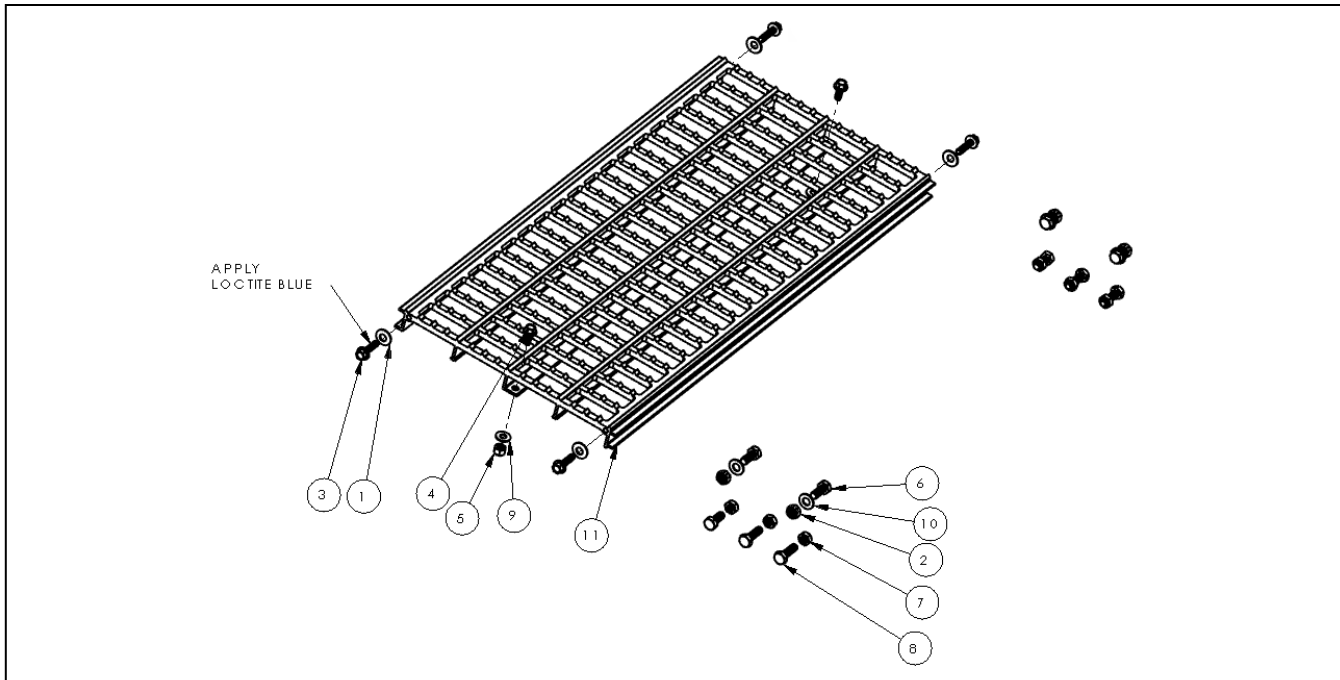


### Coupling Nut Kit / Apron Pin Kit

Part No. 05-25-1021

Item #	Part Description	Quantity
1	COUPLING NUT, 3/8-16 X 1"L, G8, CAD	1
2	CBSQN, 3/8-16 X 1-1/4, G8, CAD	1
3	WASHER, BELLEVILLE SPRING, FOR 1/2" BOLT, CAD	1

## Extruded Panel Kit, 26" W. Ramp

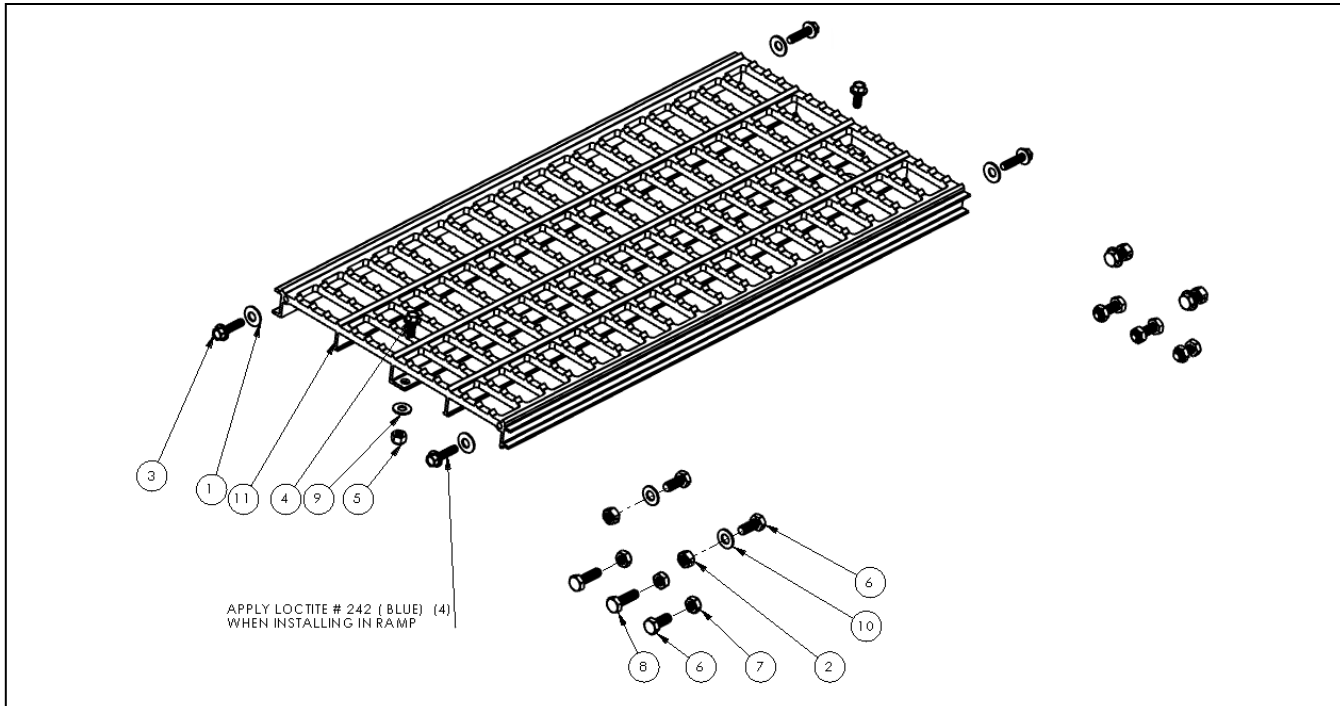


### Extruded Panel Kit, 26" W. Ramp

Part No. 05-25-1006

Item #	Part Description	Quantity
1	WASHER, BELLEVILLE, .31 ID X .72 OD X .05 T, CAD	4
2	HLNC, 5/16"-18, G8, CAD	4
3	HHFCS, 1/4"-20 X 1", G8, CAD	4
4	HHFCS, 1/4"-20 X 5/8", G8, CAD	2
5	HLNN, 1/4"-20, G8, CAD	2
6	HHCS, 5/16"-18 X 3/4", G8, CAD	6
7	HLNN, 5/16"-18, THIN, G8, CAD	6
8	HHCS, 5/16"-18 X 1", G8, CAD	4
9	WSAE 1/4" X 5/8 OD X .065, G8, CAD	2
10	WASHER 11/32 ID X 11/16 OD X .05 T, CAD	4
11	PANEL, 26" W RAMP, 24.5" W	1

## Extruded Panel Kit, 25" W. Narrow Ramp

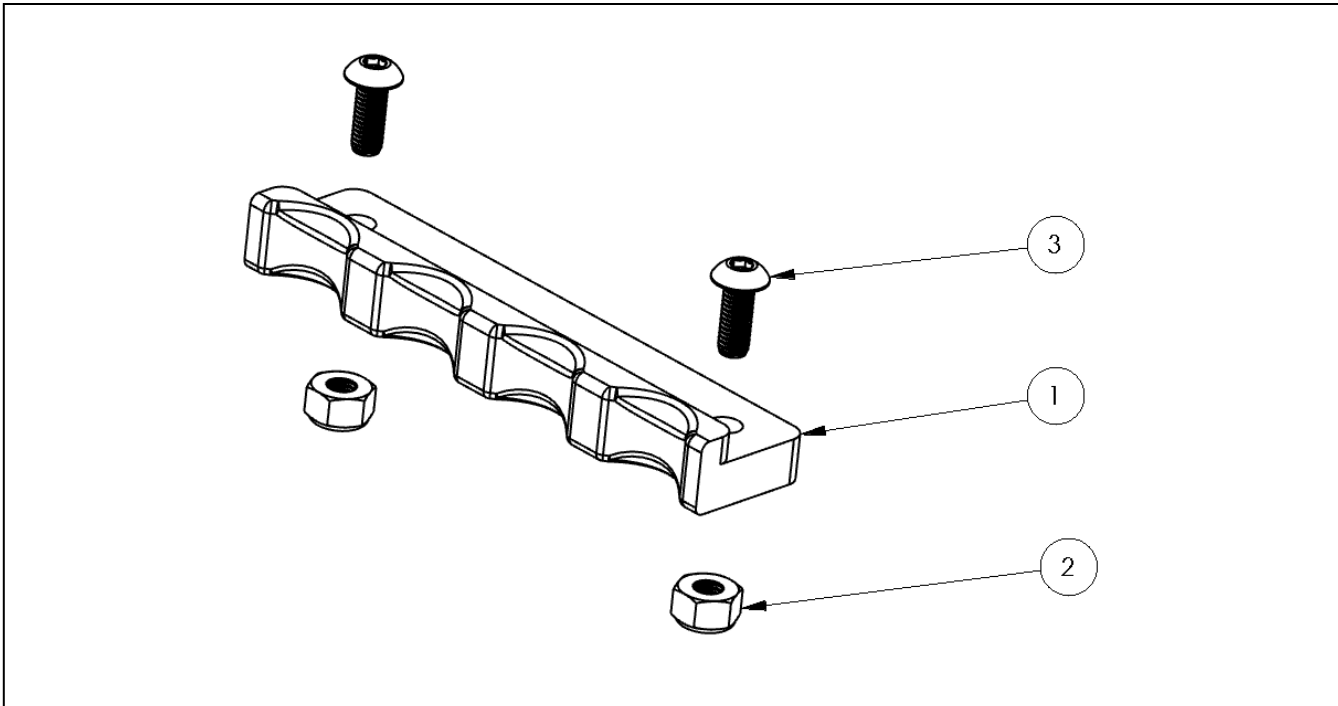


### Extruded Panel Kit, 25" W. Narrow Ramp

Part No. 05-25-1044

Item #	Part Description	Quantity
1	WASHER, BELLEVILLE, .31 ID X .72 OD X .05 T, CAD	4
2	HLNC, 5/16"-18, G8, CAD	4
3	HHFCS, 1/4"-20 X 1", G8, CAD	4
4	HHFCS, 1/4"-20 X 5/8", G8, CAD	2
5	HLNN, 1/4"-20, G8, CAD	2
6	HHCS, 5/16"-18 X 3/4", G8, CAD	6
7	HHCS, 5/16"-18 X 3/4", G8, CAD	6
8	HHCS, 5/16"-18 X 1", G8, CAD	4
9	WSAE 1/4" X 5/8 OD X .065, G8, CAD	2
10	WASHER 11/32 ID X 11/16 OD X .05 T, CAD	4
11	PANEL, 25" W RAMP, 23.2" W	1

## Finger Grip Kit

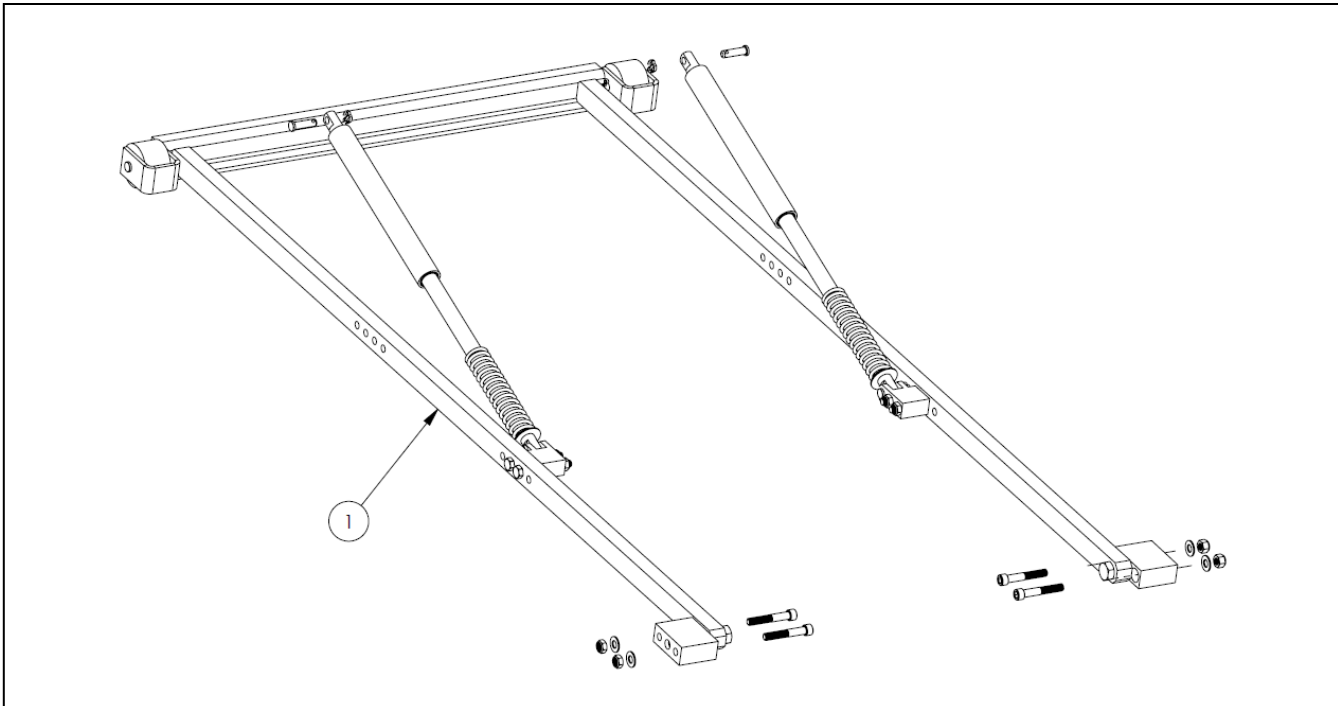


### Finger Grip Kit

Part No. 05-25-1029

Item #	Part Description	Quantity
1	HANDLE, NYLON	1
2	HLNN, #10-32, G8, CAD	2
3	SBHCS, #10-32 X 1/2", G8, CAD	2

## Lift Assist Kit, 26" W. Ramp (Replacement)

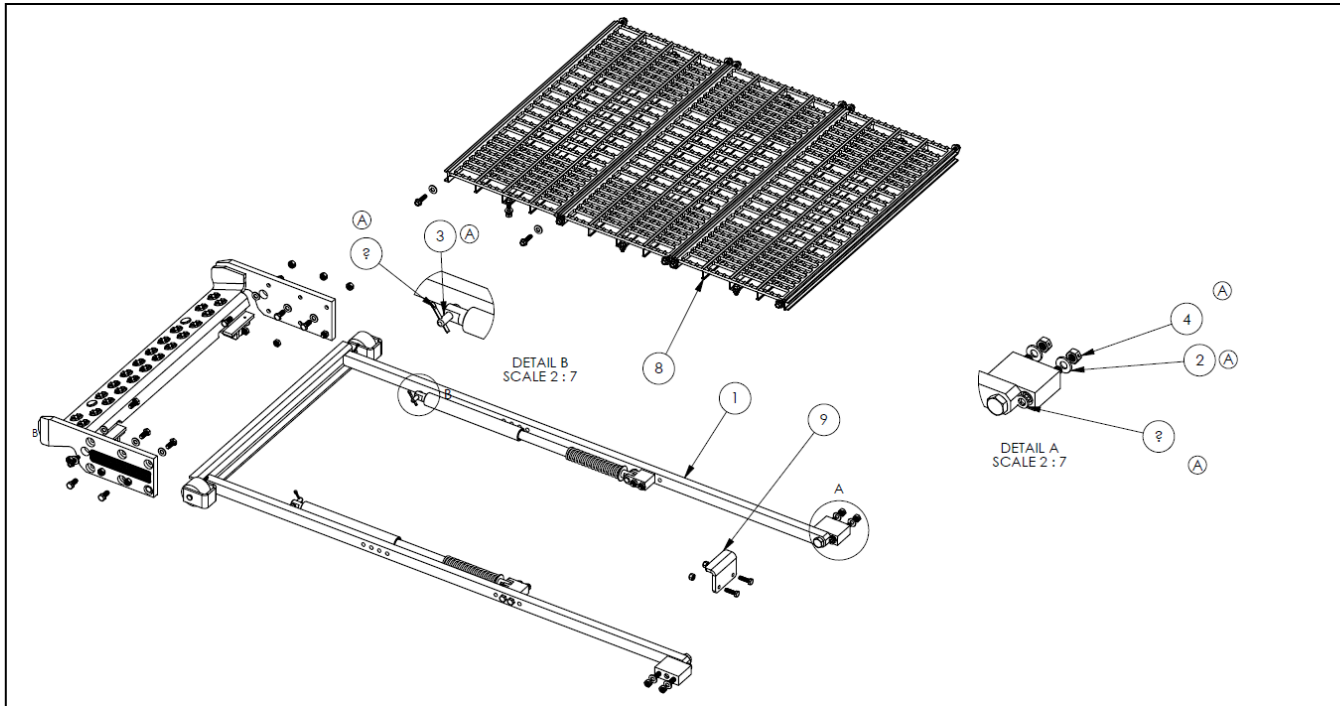


### Lift Assist Kit, 26" W. Ramp (Replacement)

Part No. 05-25-1010

Item #	Part Description	Quantity
1	LIFT ASSIST ASSEMBLY, LT, 26" W RAMP	1

## Lift Assist Kit, 26" W. Ramp (Retrofit)

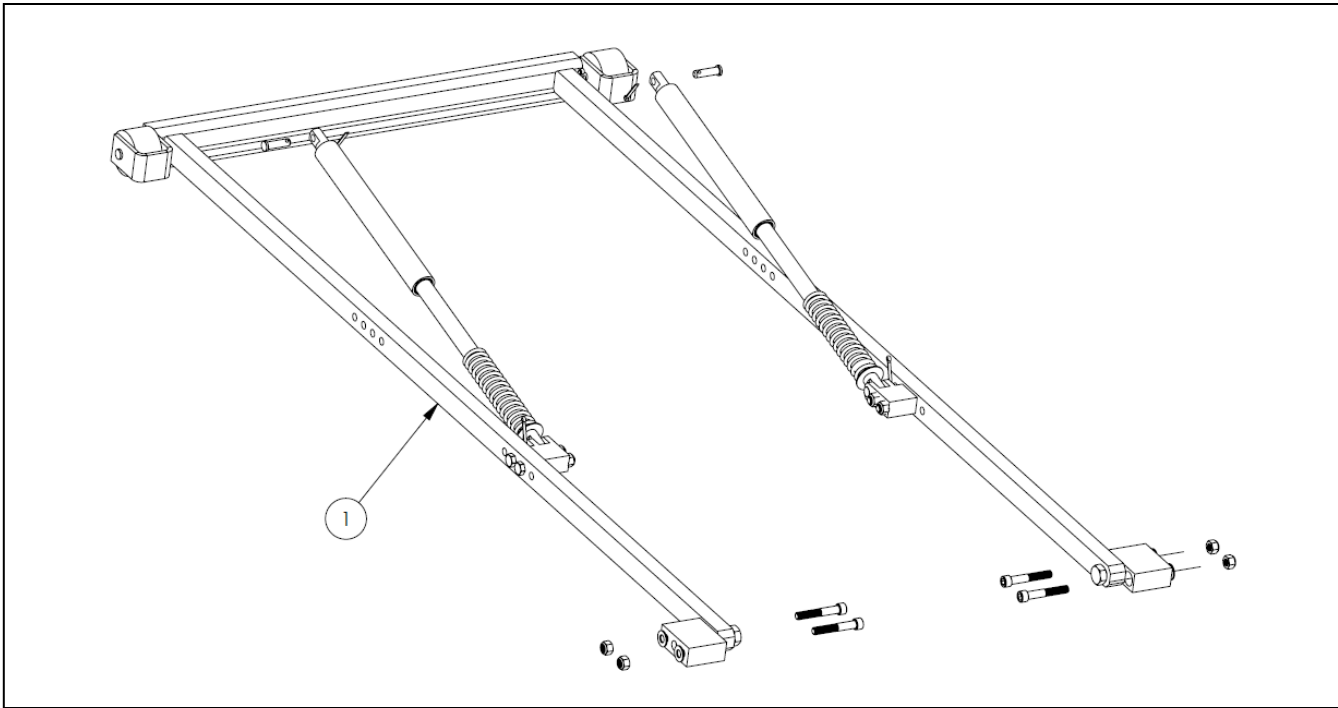


### Lift Assist Kit, 26" W. Ramp (Retrofit)

Part No. 05-25-1039

Item #	Part Description	Quantity
1	LIFT ASSIST ASSY, LT, STANDARD 26" W RAMP	1
2	WASHER, BELLEVILLE, .33 ID X .71 OD X .08T, CAD	4
3	CLEVIS PIN, 5/16" X 1-1/8", CAD	2
4	HLNC, 5/16" -18. G8, CAD	4
5	COTTER PIN 1/8" DIA. 1" I, ZN	2
6	WASHER, ID .32, OD .56, .05 T, SS 3	4
7	APRON KIT, RAMP W/ LIFT ASSIST	1
8	SAFE PANEL KIT, 26" W RAMP	3
9	STOP BRACKET KIT, REAR RAMP ENCLOSURE	1

## Lift Assist Kit, 25" W. Narrow Ramp (Replacement)



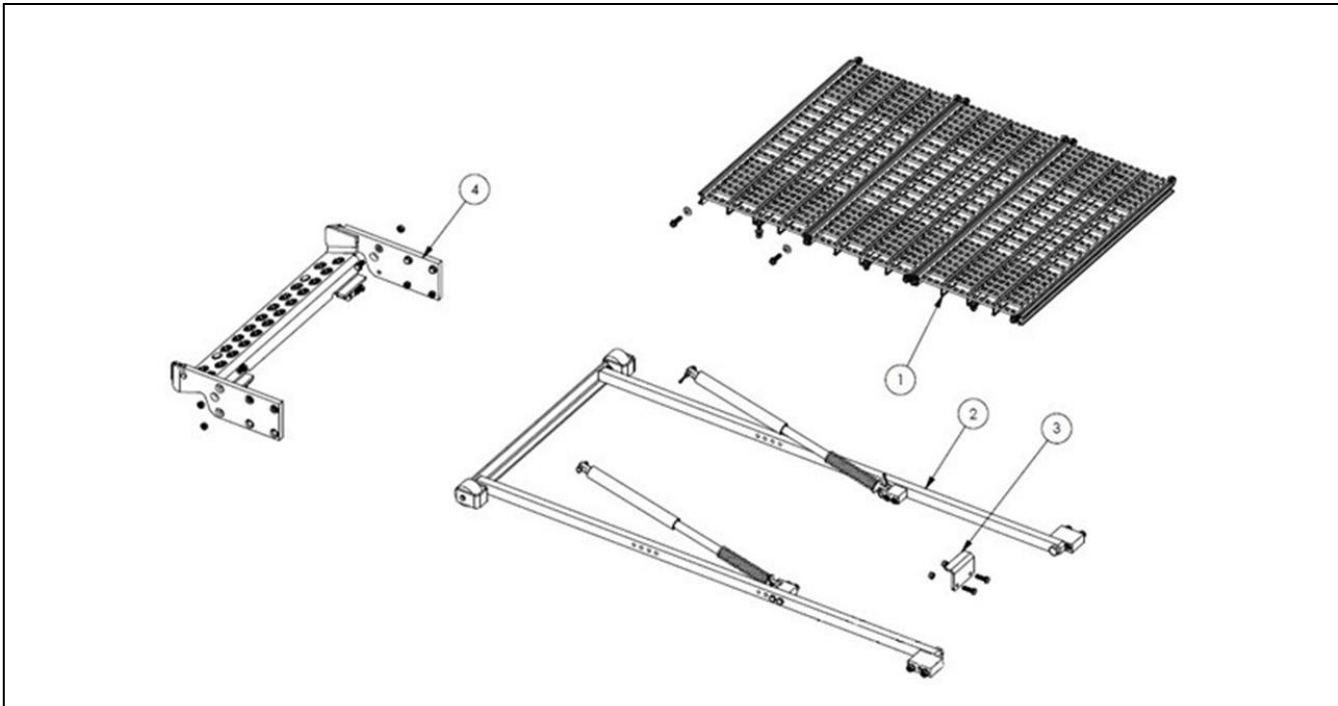
### Lift Assist Kit, 25" W. Narrow Ramp (Replacement)

Part No. 05-25-1047

Item #	Part Description	Quantity
1	LIFT ASSIST ASSEMBLY, LT, 25" W Ramp	1



## Lift Assist Kit, 25" W. Narrow Ramp (Retrofit)

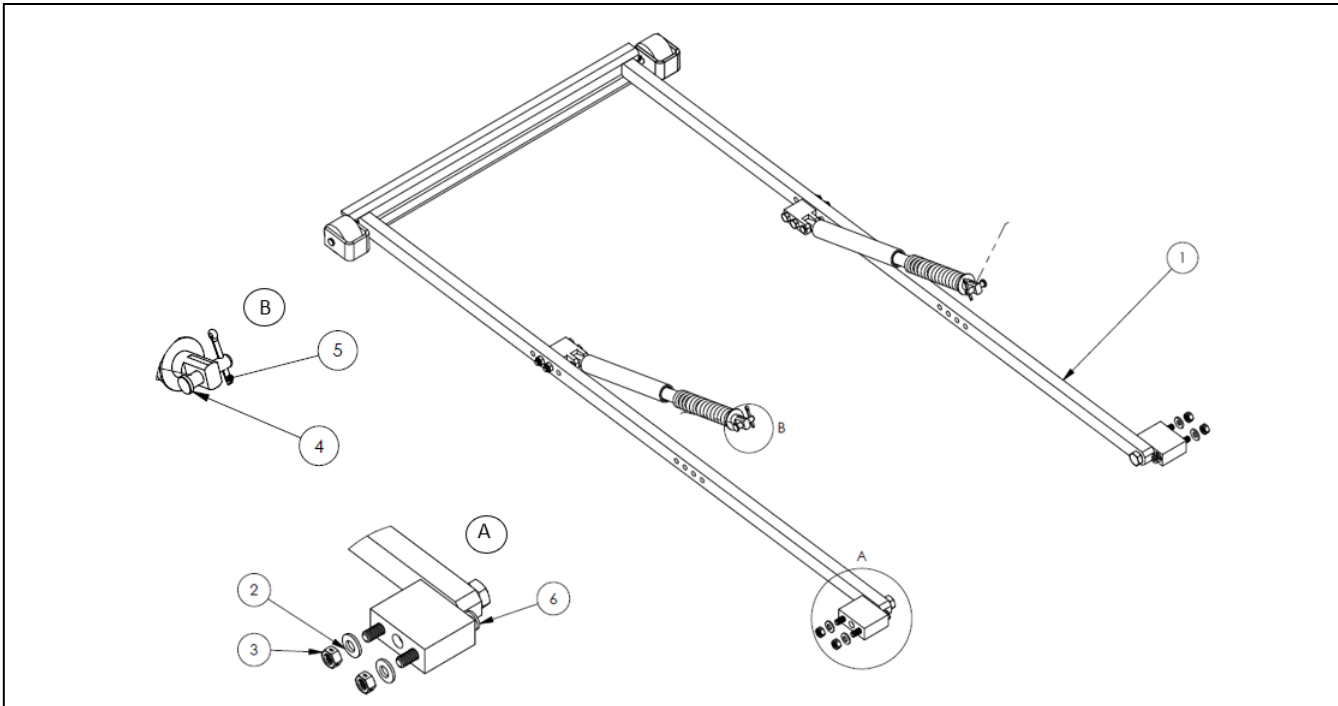


### Lift Assist Kit, 25" W. Narrow Ramp (Retrofit)

Part No. 05-25-1082

Item #	Part Description	Quantity
1	PANEL KIT, SAFE, 25" W RAMP	3
2	LIFT ASSIST ASSY, L T, 25" W RAMP	1
3	STOP BRACKET KIT, REAR RAMP ENCLOSURE	1
4	APRON KIT, 25" W RAMP W/ LIFT ASSIST	1

## Lift Assist Kit, Short Throw, 26" W. Ramp (Replacement)

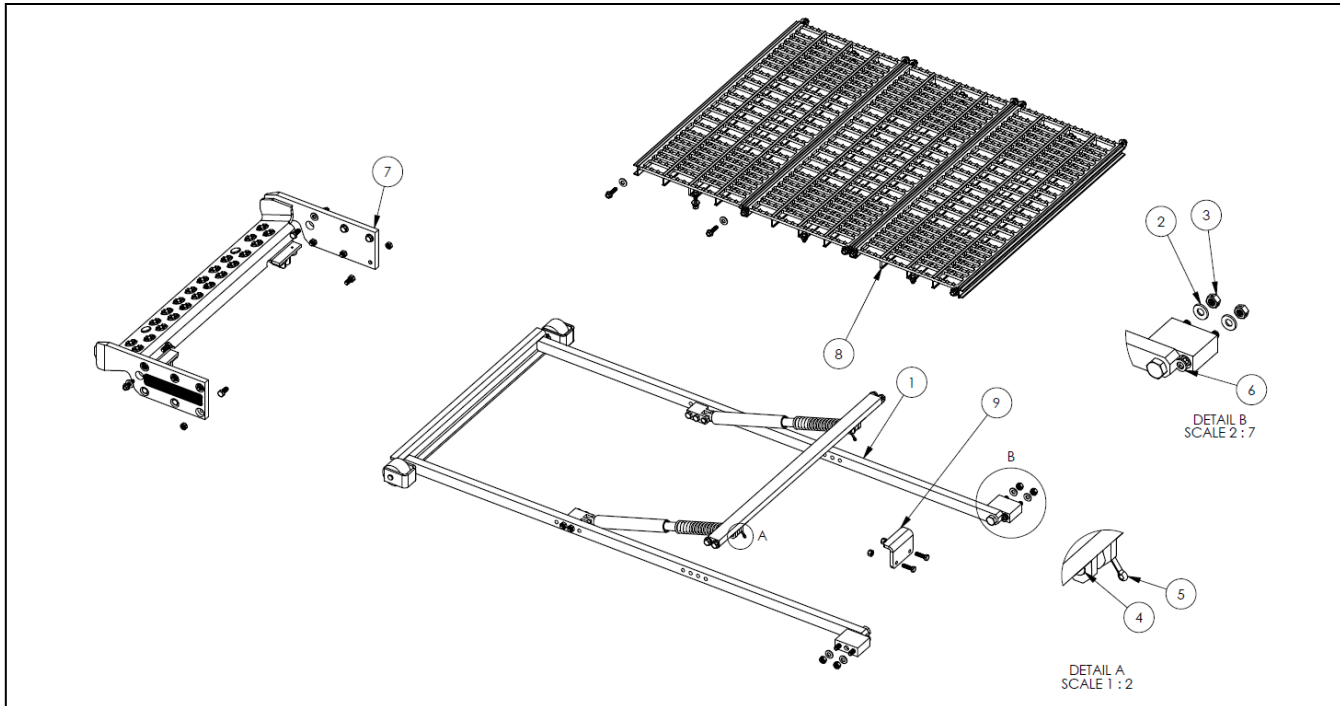


### Lift Assist Kit, Short Throw, 26" W. Ramp (Replacement)

Part No. 05-25-1065

Item #	Part Description	Quantity
1	LIFT ASSIST ASSY, SHORT THROW, 26" W RAMP	1
2	WASHER, BELLEVILLE, .33 ID X .71 OD X .08T, CAD	4
3	HLNC, 5/16"-18, G8, CAD	4
4	CLEVIS PIN, 5/16" x 1-1/4", CAD	2
5	COTTER PIN, 1/8" Dia. 1" L, ZN	2
6	WASHER, ID .32, OD .56, .05 T, SS 3	4

## Lift Assist Kit, Short Throw 26" W. Ramp (Retrofit)

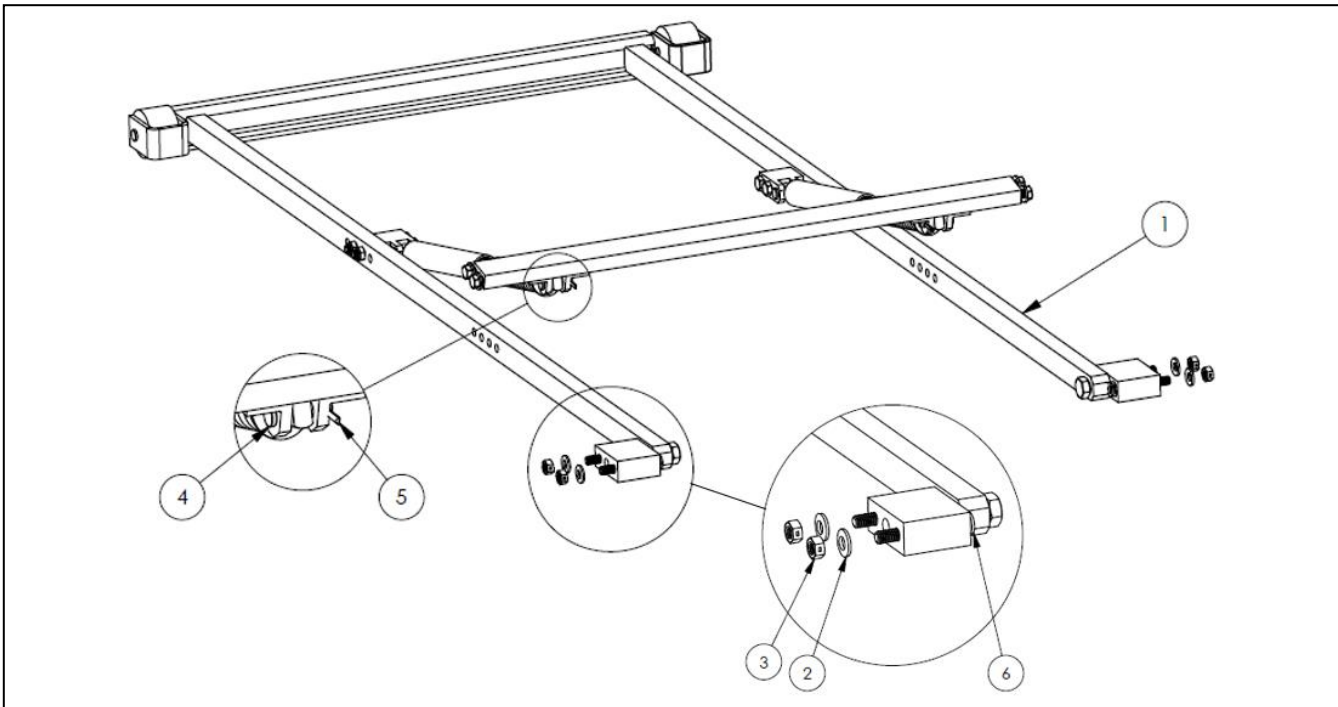


### Lift Assist Kit, Short Throw, 26" W. Ramp (Retrofit)

Part No. 05-25-1080

Item #	Part Description	Quantity
1	LIFT ASSIST ASSY, SHORT THROW, 26" W RAMP	1
2	WASHER, BELLEVILLE, .33 ID x .71 OD x .08T, CAD	4
3	HLNC, 5/16"-18, G8, CAD	4
4	CLEVIS PIN, 5/16" x 1-1/4", CAD	2
5	COTTER PIN, 1/8" Dia. 1" L, ZN	2
6	WASHER, ID .32, OD .56, .05 T, SS 3	4
7	APRON KIT, RAMP W/LIFT ASSIST	1
8	SAFE PANEL KIT, 26" W RAMP	3
9	STOP BRACKET KIT, REAR RAMP ENCLOSURE	1

## Lift Assist Kit, Short Throw, 25" W. Narrow Ramp (Replacement)

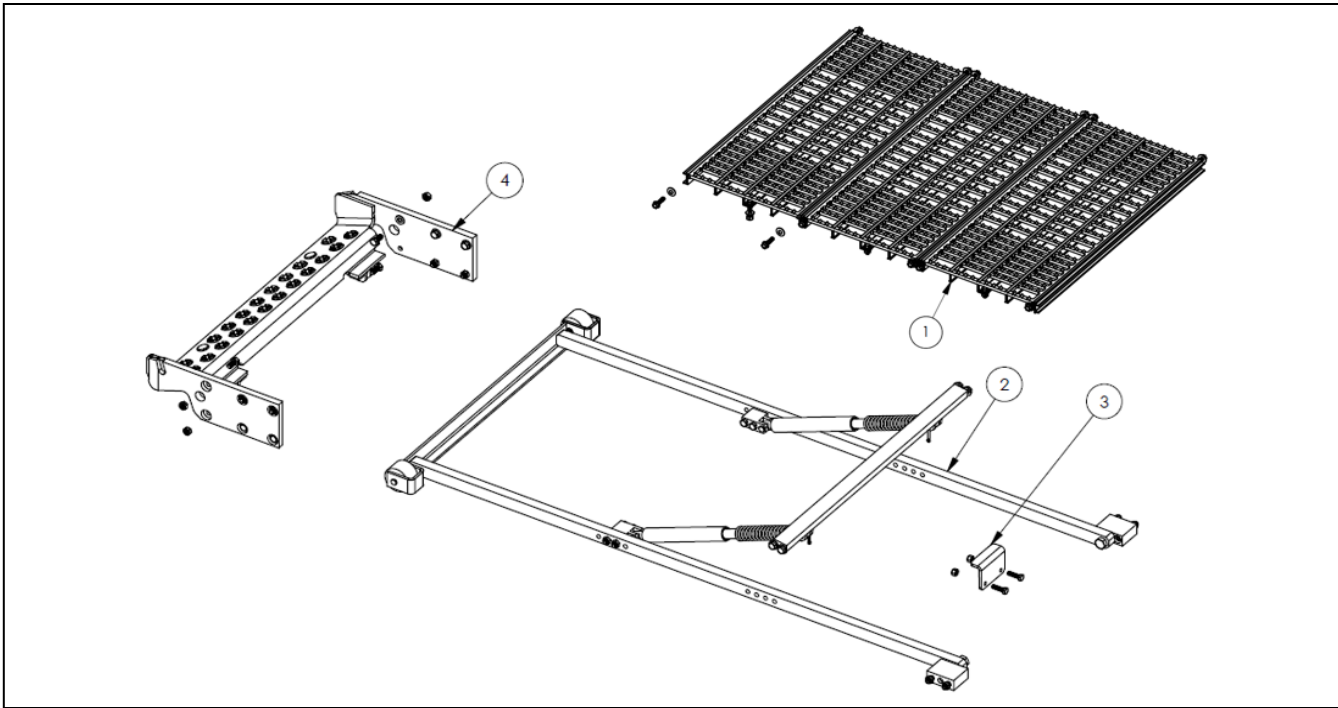


### Lift Assist Kit, Short Throw, 25" W. Narrow Ramp (Replacement)

Part No. 05-25-1066

Item #	Part Description	Quantity
1	LIFT ASSIST ASSY, SHORT THROW, 25" W RAMP	1
2	WASHER, BELLEVILLE, .33 ID x .71 OD x .08T, CAD	4
3	HLNC, 5/16"-18, G8, CAD	4
4	CLEVIS PIN, 5/16" x 1-1/4", CAD	2
5	COTTER PIN, 1/8" Dia. 1" L, ZN	2
6	WASHER, ID .32, OD .56, .05 T, SS 3	4

## Lift Assist Kit, Short Throw, 25" W. Narrow Ramp (Retrofit)

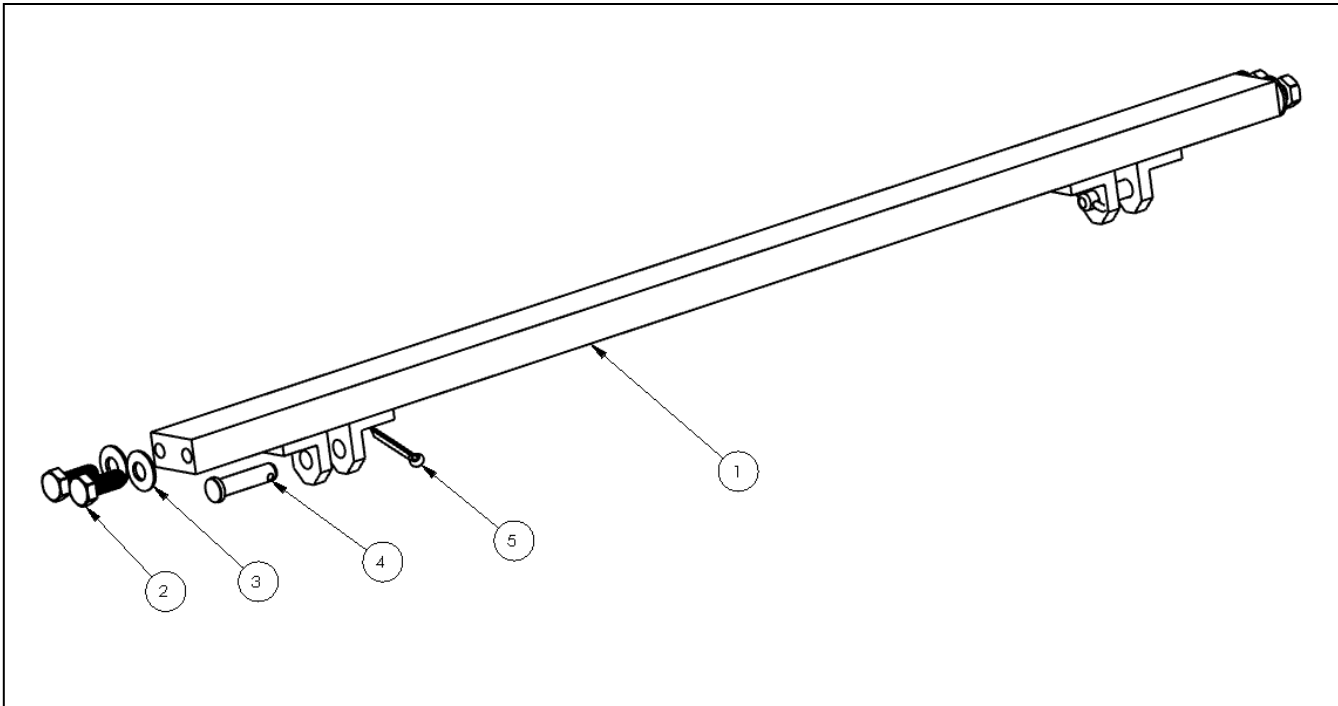


### Lift Assist Kit, Short Throw, 25" W. Narrow Ramp (Retrofit)

Part No. 05-25-1081

Item #	Part Description	Quantity
1	PANEL KIT, SAFE, 25" W RAMP	3
2	LIFT ASSIST ASSY, SHORT THROW, 25" W RAMP	1
3	STOP BRACKET KIT, REAR RAMP ENCLOSURE	1
4	APRON KIT, 25" W RAMP W/ LIFT ASSIST	1

## Lift Assist, Cross Bar Kit, Short Throw

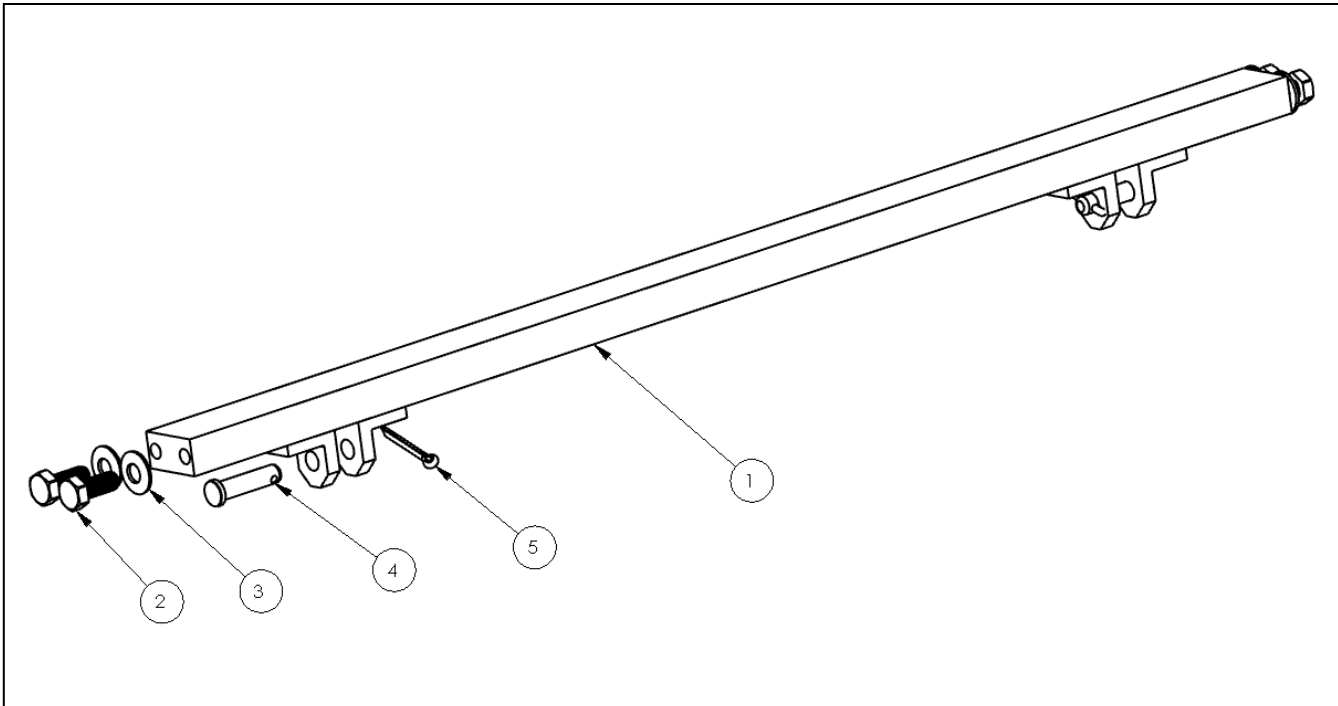


### Lift Assist, Cross Bar Kit, Short Throw

Part No. 05-25-1070

Item #	Part Description	Quantity
1	LIFT ASSIST CROSS BAR WELDMENT	1
2	HHCS, 5/16"-18 X 3/4", G8, CAD	4
3	WASHER, BELLEVILLE, .31 ID X .72 OD X .05 T, CAD	4
4	CLEVIS PIN, 5/16" x 1-1/4", CAD	2
5	COTTER PIN, 1/8" DIA 1" L, CAD	2

## Lift Assist, Cross Bar Kit, Short Throw, 25" Narrow Ramp

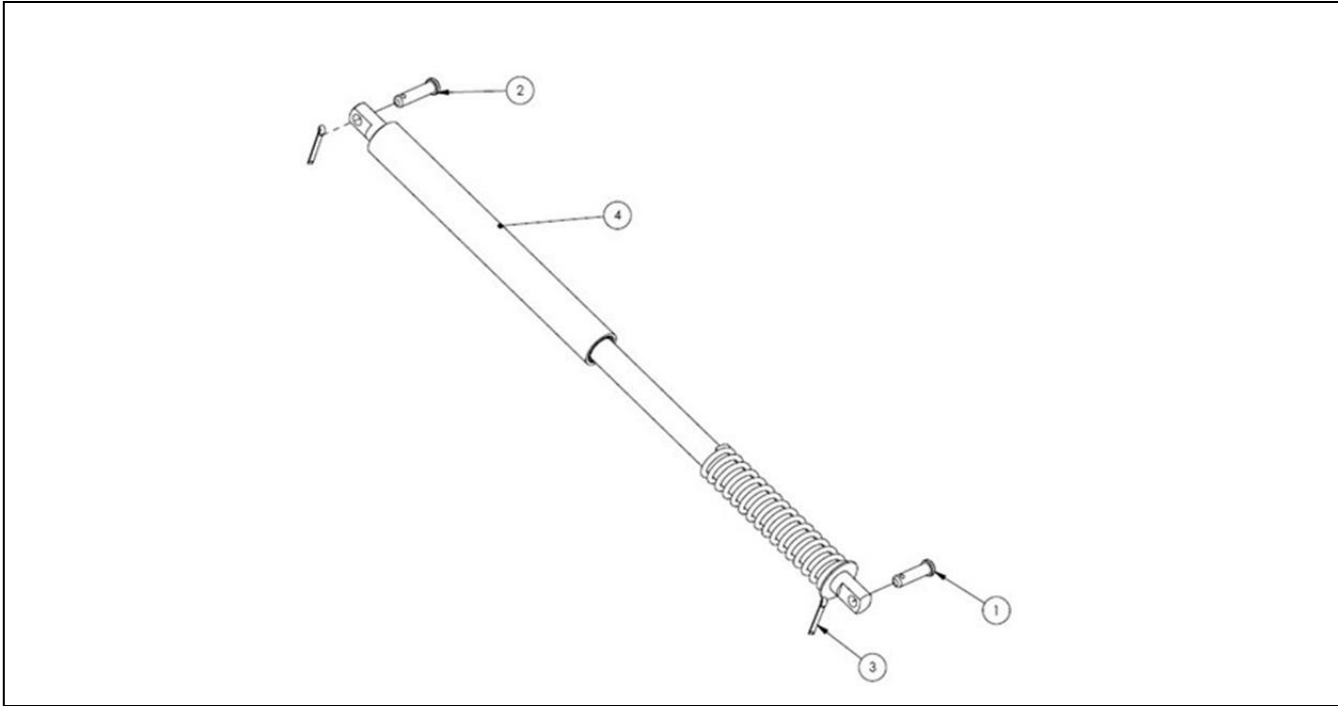


### Lift Assist, Cross Bar Kit, Short Throw

Part No. 05-25-1069

Item #	Part Description	Quantity
1	LIFT ASSIST CROSS BAR WELDMENT, 25" W RAMP	1
2	HHCS, 5/16"-18 X 3/4", G8, CAD	4
3	WASHER, BELLEVILLE, .31 ID X .72 OD X .05 T, CAD	4
4	CLEVIS PIN, 5/16" X 1-1/4", CAD	2
5	COTTER PIN, 1/8" DIA 1" L, CAD	2

## List Assist, Gas Spring Kit, Long Throw



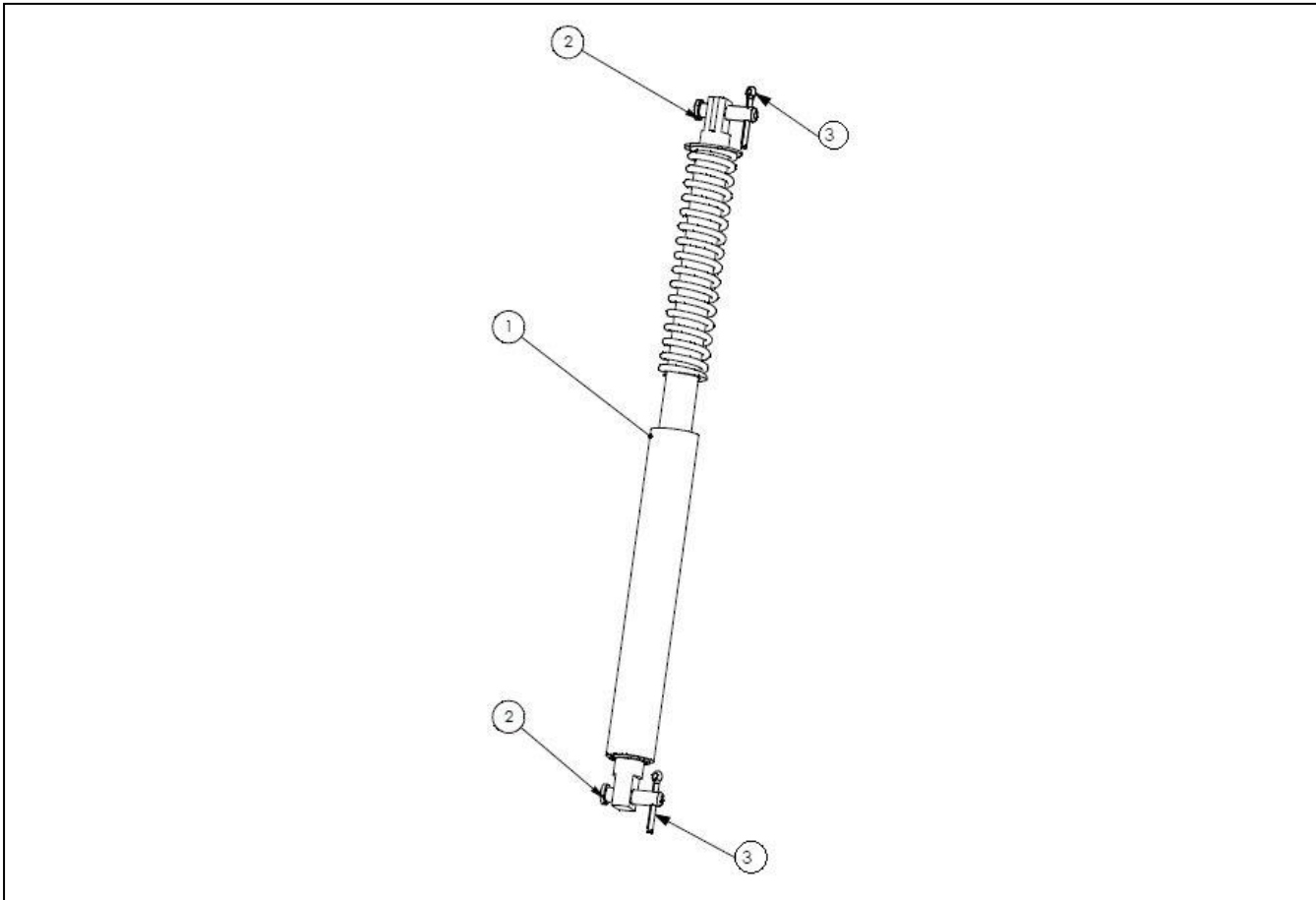
### Lift Assist, Gas Spring Kit, Long Throw

Part No. 05-25-1034

Item #	Part Description	Quantity
1	CLEVIS PIN, 5/16" X 1-1/8", CAD	1
2	CLEVIS PIN, 5/16" X 1-1/4", CAD	1
3	COTTER PIN, 1/8" DIA. 1" L, CAD	2
4	GAS SPRING ASSY LIFT ASSIST, LONG THROW	1



## List Assist, Gas Spring Kit, Short Throw

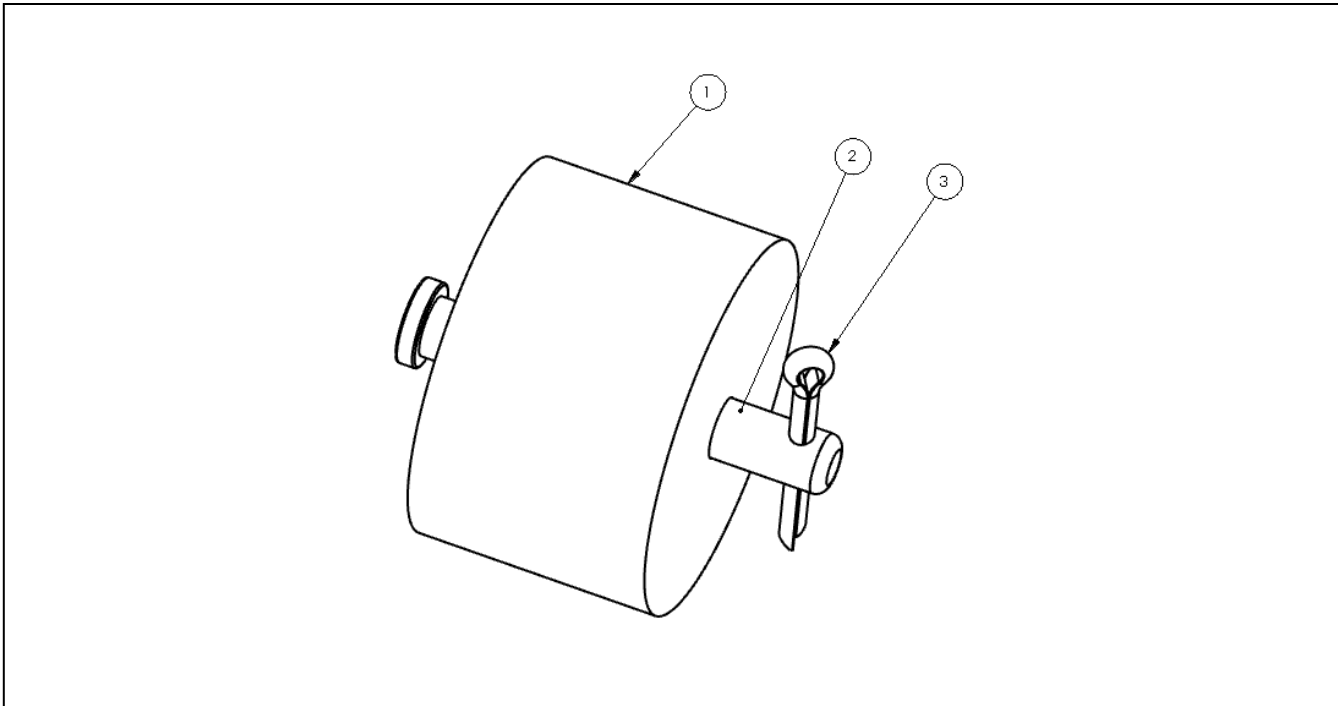


### Lift Assist, Gas Spring Kit, Short Throw

Part No. 05-25-1071

Item #	Part Description	Quantity
1	GAS SPRING ASSY LIFT ASSIST, W/HDWR, SHORT THROW	1
2	CLEVIS PIN, 5/16" X 1-1/4", CAD	2
3	COTTER PIN, 1/8" DIA. 1" L, CAD	2

## Lift Assist, Wheel Kit



### Lift Assist, Wheel Kit

Part No. 05-25-1063

Item #	Part Description	Quantity
1	WHEEL, NYLON	1
2	CLEVIS PIN, 5/16" X 2-1/8"	1
3	COTTER PIN, 1/8" DIAMETER 1" L, CAD	1

## Side Rail, 14' Ramp – Rev. A



### Left Hand Side Rail, 14' Ramp, Rev. A

Part No. 05-25-1076

Item #	Part Description	Quantity
1	LEFT HAND SIDE RAIL, 14' (Rev A)	1

### Right Hand Side Rail, 14' Ramp, Rev. A

Part No. 05-25-1077

Item #	Part Description	Quantity
2	RIGHT HAND SIDE RAIL, 14' (Rev A)	1

**\* Both Kits also include:**

Item #	Part Description	Quantity
	LABEL, RAMPS, MAIN CAUTION	1
	LABEL, RAMP, FINGER GRIP	1
	LABEL, RAMPS W/LIFT ASSIST ONLY	1
	LABEL, RAMPS, "WATCH YOUR STEP"	3
	LOGO, MAIN, RANDALL RAMPS	1
	STRIPING, RAMPS, ORANGE/BLACK 19'	1

## Side Rail, 16' Ramp – Rev. A



### Left Hand Side Rail, 16' Ramp, Rev. A

Part No. 05-25-1078

Item #	Part Description	Quantity
1	LEFT HAND SIDE RAIL, 16' (Rev A)	1

### Right Hand Side Rail, 16' Ramp, Rev. A

Part No. 05-25-1079

Item #	Part Description	Quantity
2	RIGHT HAND SIDE RAIL, 16' (Rev A)	1

**\* Both Kits also include:**

Item #	Part Description	Quantity
	LABEL, RAMPS, MAIN CAUTION	1
	LABEL, RAMP, FINGER GRIP	1
	LABEL, RAMPS W/LIFT ASSIST ONLY	1
	LABEL, RAMPS, "WATCH YOUR STEP"	3
	LOGO, MAIN, RANDALL RAMPS	1
	STRIPING, RAMPS, ORANGE/BLACK 19'	1

## Side Rail, 14' Ramp – Rev. B



### Left Hand Side Rail, 14' Ramp, Rev. B

Part No. 05-25-1106

Item #	Part Description	Quantity
1	SIDE RAIL KIT, 14' LEFT HAND	1

### Right Hand Side Rail, 14' Ramp, Rev. B

Part No. 05-25-1107

Item #	Part Description	Quantity
2	SIDE RAIL KIT, 14' RIGHT HAND	1

**\* Both Kits also include:**

Item #	Part Description	Quantity
	LABEL, RAMPS, MAIN CAUTION	1
	LABEL, RAMP, FINGER GRIP	1
	LABEL, RAMPS W/LIFT ASSIST ONLY	1
	LABEL, RAMPS, "WATCH YOUR STEP"	3
	LOGO, MAIN, RANDALL RAMPS	1
	STRIPING, RAMPS, ORANGE/BLACK 19'	1

## Side Rail, 16' Ramp – Rev. B



### Left Hand Side Rail, 16' Ramp, Rev. B

Part No. 05-25-1108

Item #	Part Description	Quantity
1	SIDE RAIL KIT, 16' LEFT HAND	1

### Right Hand Side Rail, 16' Ramp, Rev. B

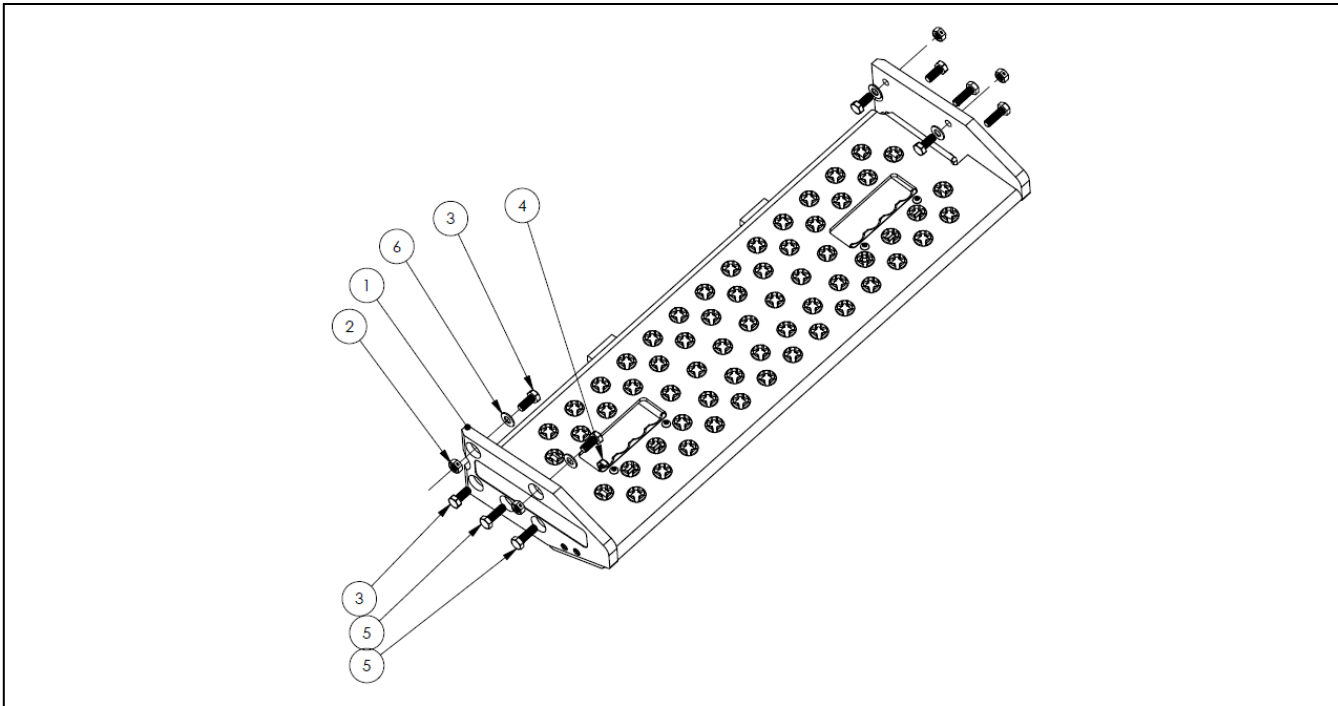
Part No. 05-25-1109

Item #	Part Description	Quantity
2	SIDE RAIL KIT, 16' RIGHT HAND	1

**\* Both Kits also include:**

Item #	Part Description	Quantity
	LABEL, RAMPS, MAIN CAUTION	1
	LABEL, RAMP, FINGER GRIP	1
	LABEL, RAMPS W/LIFT ASSIST ONLY	1
	LABEL, RAMPS, "WATCH YOUR STEP"	3
	LOGO, MAIN, RANDALL RAMPS	1
	STRIPING, RAMPS, ORANGE/BLACK 19'	1

## Toe Plate Kit, 26" W. Ramp, Rev. A

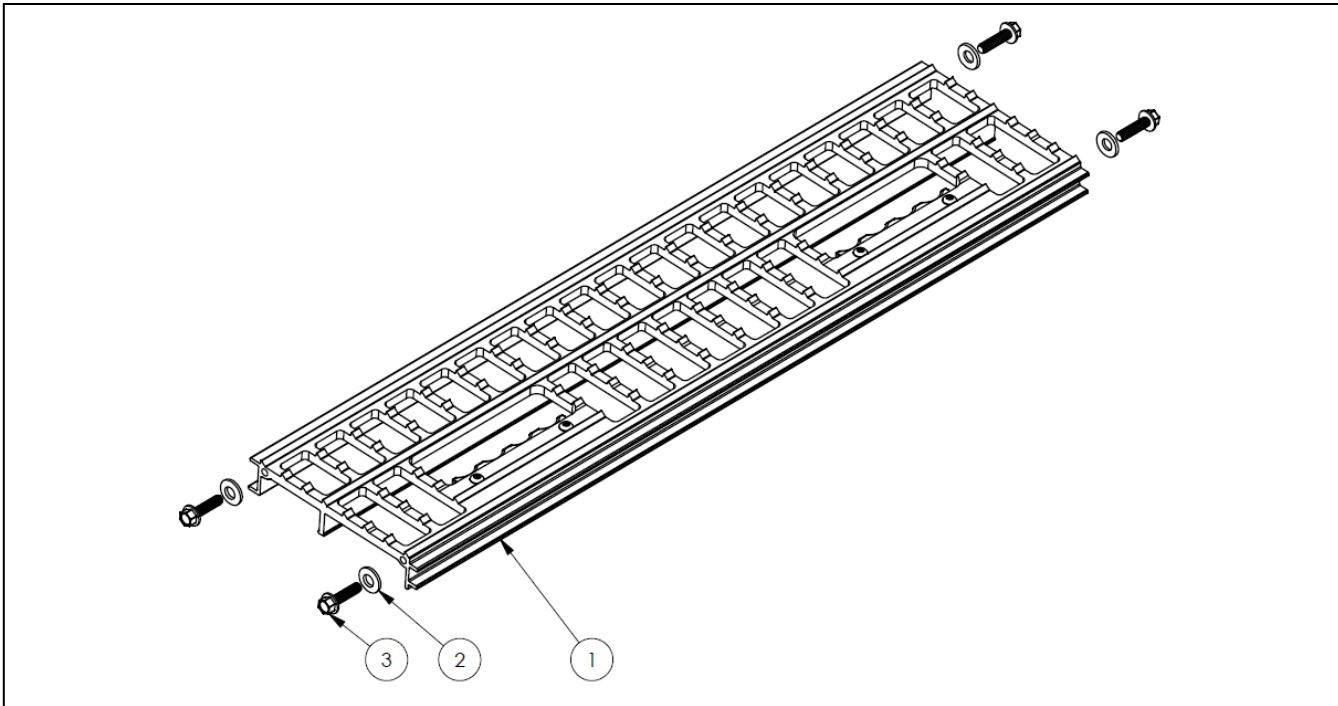


### Toe Plate Kit, 26" W. Ramp, Rev. A

Part No. 05-25-1009

Item #	Part Description	Quantity
1	TOE PLATE ASSY, 26" W RAMP	1
2	HLNC, 5/16"-18, G8, CAD	4
3	HHCS, 5/16"-18 X 3/4", G8, CAD	6
4	HLNN, 5/16"-18, THIN, G8, CAD	6
5	HHCS, 5/16"-18 X 1", G8, CAD	4
6	WASHER 11/32 ID X 11/16 OD X .05 T, CAD	4

## Toe Plate Kit, 26" W. Ramp, Rev. B



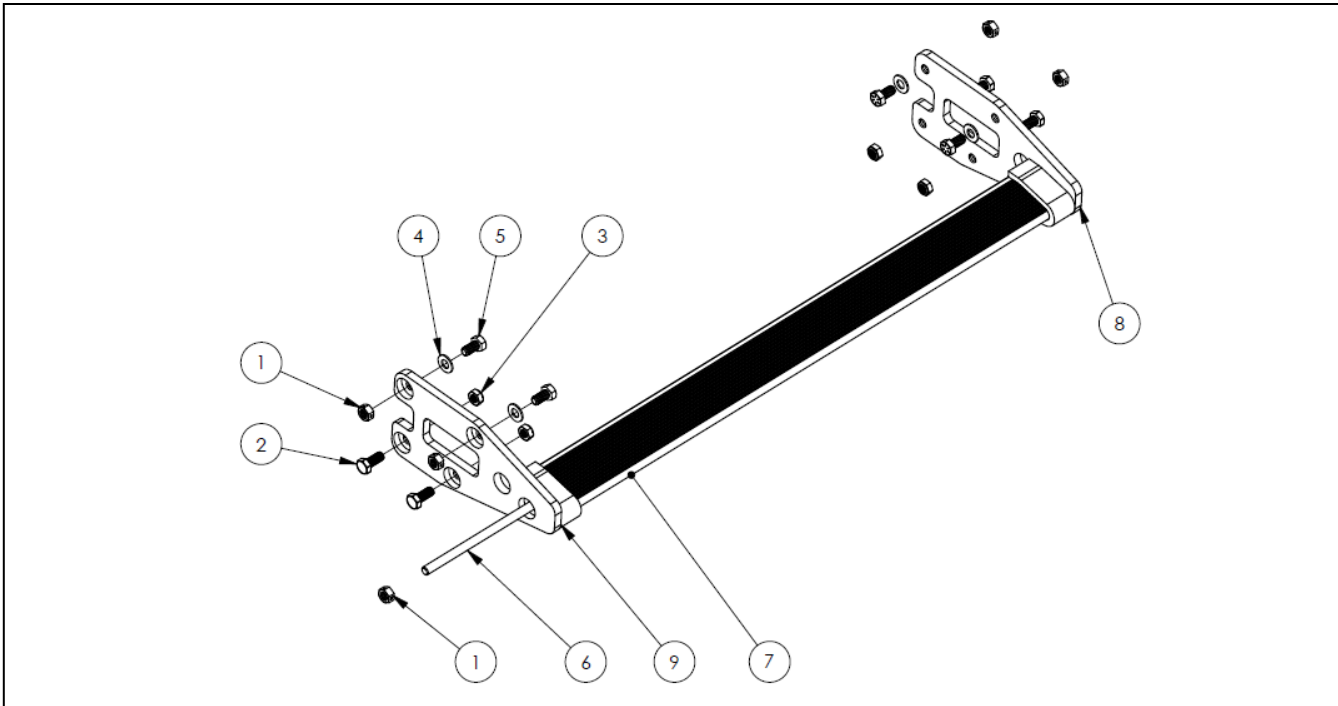
### Toe Plate Kit, 26" W. Ramp Rev. B

Part No. 05-25-1112

Item #	Part Description	Quantity
1	PANEL ASSY, TOE PLATE, 26" W RAMP	1
2	WASHER, BELLEVILLE, .33 ID x .71 OD x .08T, CAD	4
3	HHFCS, 1/4"-20 x 1", G8, CAD	4



## Toe Plate Kit, Extruded, 26" W. Ramp, Rev. B

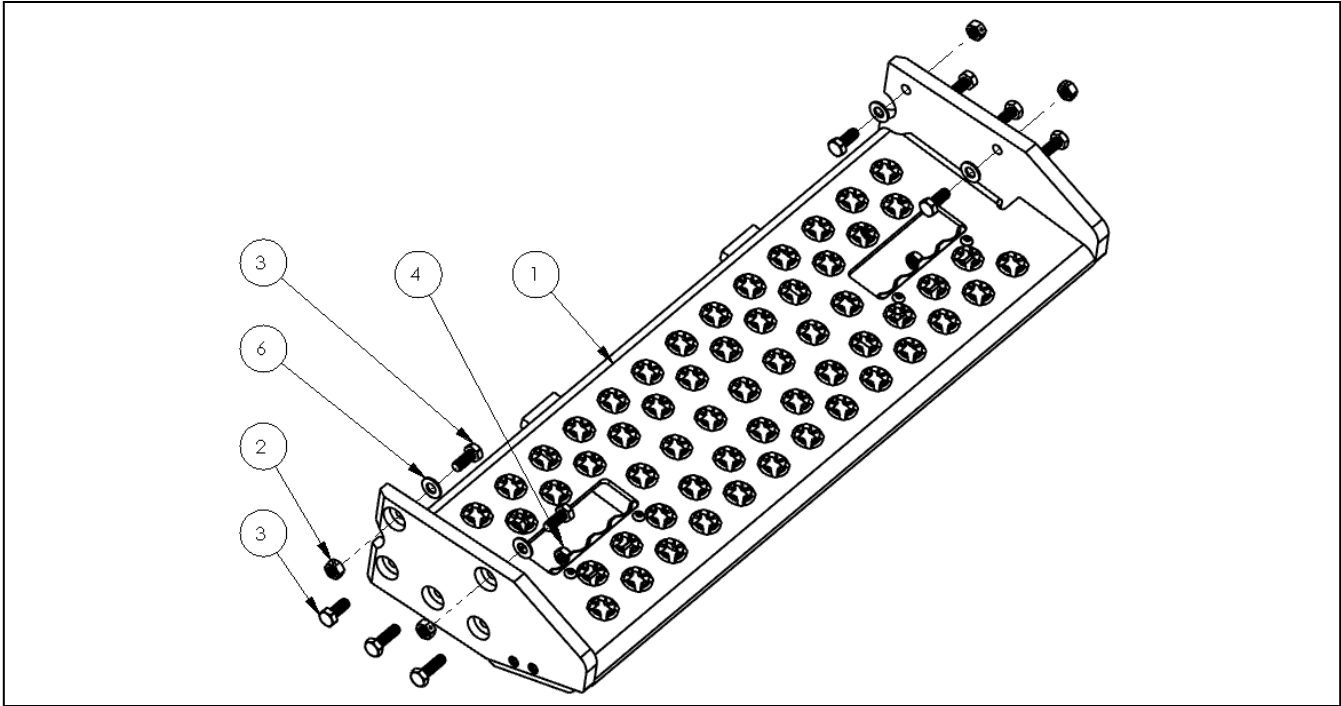


### Toe Plate Kit Extruded, 26" W. Ramp, Rev. B

Part No. 05-25-1110

Item #	Part Description	Quantity
1	HLNC, 5/16"-18, G8, CAD	6
2	HHCS, 5/16"-18 x 3/4", G8, CAD	4
3	HLNO, 5/16"-18, G8, CAD	4
4	WASHER 11/32 ID X 11/16 OD X .05 T, CAD	4
5	HHCS, 5/16"-18 x 1/2", G8, ZN	4
6	THREADED ROD, 5/16"-18, G5, ZN, 25-7/8" L	1
7	TOE PLATE EXTRUSION, 26" W RAMP	1
8	SIDE PLATE, RH, EXTRUDED TOE PLATE	1
9	SIDE PLATE, LH, EXTRUDED TOE PLATE	1

## Toe Plate Kit, 25" W. Narrow Ramp, Rev. A

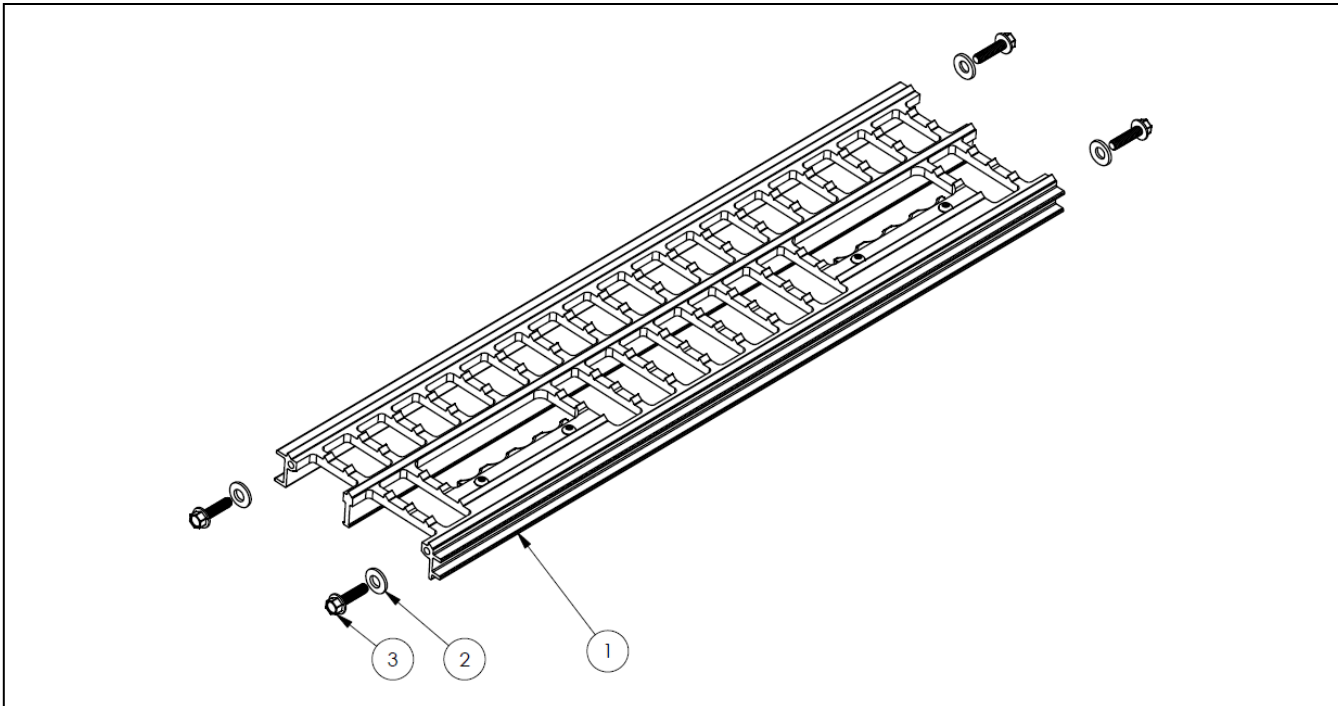


### Toe Plate Kit, 25" W. Narrow Ramp, Rev. A

Part No. 05-25-1041

Item #	Part Description	Quantity
1	TOE PLATE ASSY, 25" W RAMP	1
2	HLNC, 5/16"-18, G8, CAD	4
3	HHCS, 5/16"-18 X 3/4", G8, CAD	6
4	HLNN, 5/16"-18, THIN, G8, CAD	6
5	HHCS, 5/16"-18 X 1", G8, CAD	4
6	WASHER 11/32 ID X 11/16 OD X .05 T, CAD	4

## Toe Plate Kit, 25" W. Narrow Ramp, Rev. B

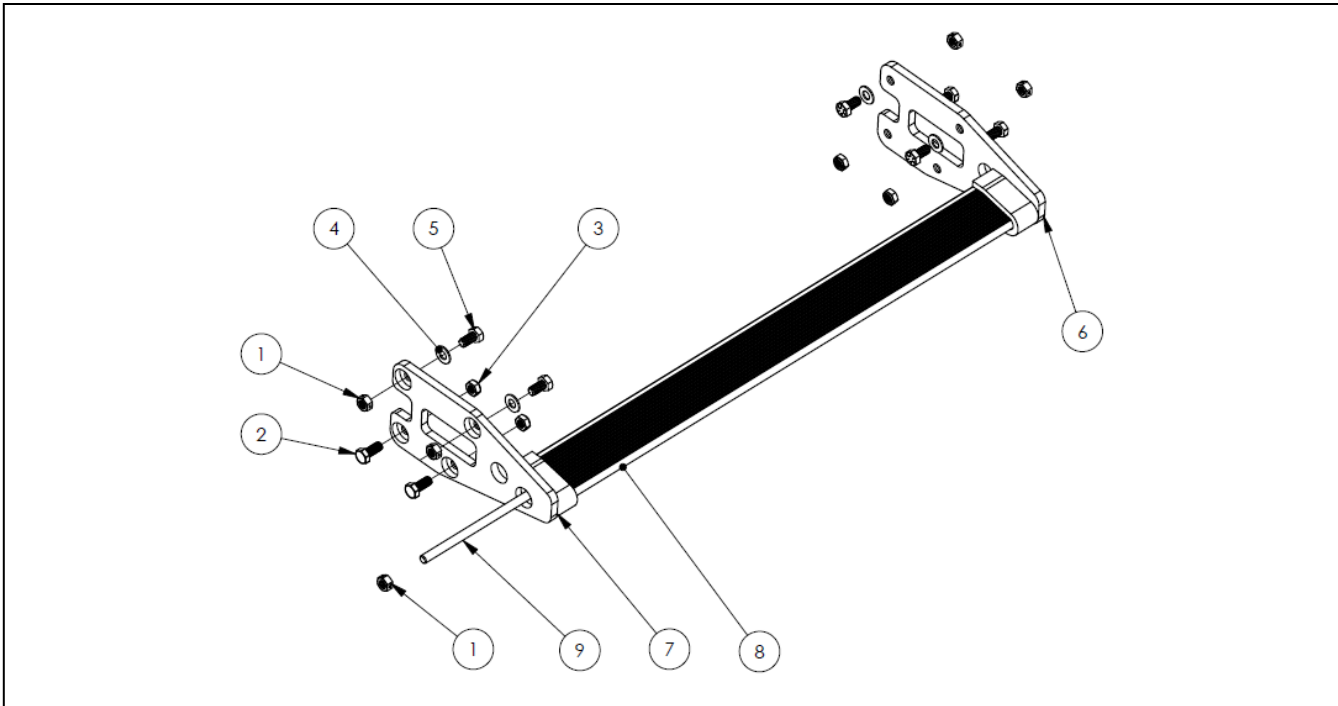


### Toe Plate Kit, 25" W. Narrow Ramp, Rev. B

Part No. 05-25-1113

Item #	Part Description	Quantity
1	PANEL ASSY, TOE PLATE, 26" W RAMP	1
2	WASHER, BELLEVILLE, .33 ID x .71 OD x .08T, CAD	4
3	HHFCS, 1/4"-20 x 1", G8, CAD	4

## Toe Plate Kit, Extruded, 25" W. Narrow Ramp, Rev. B

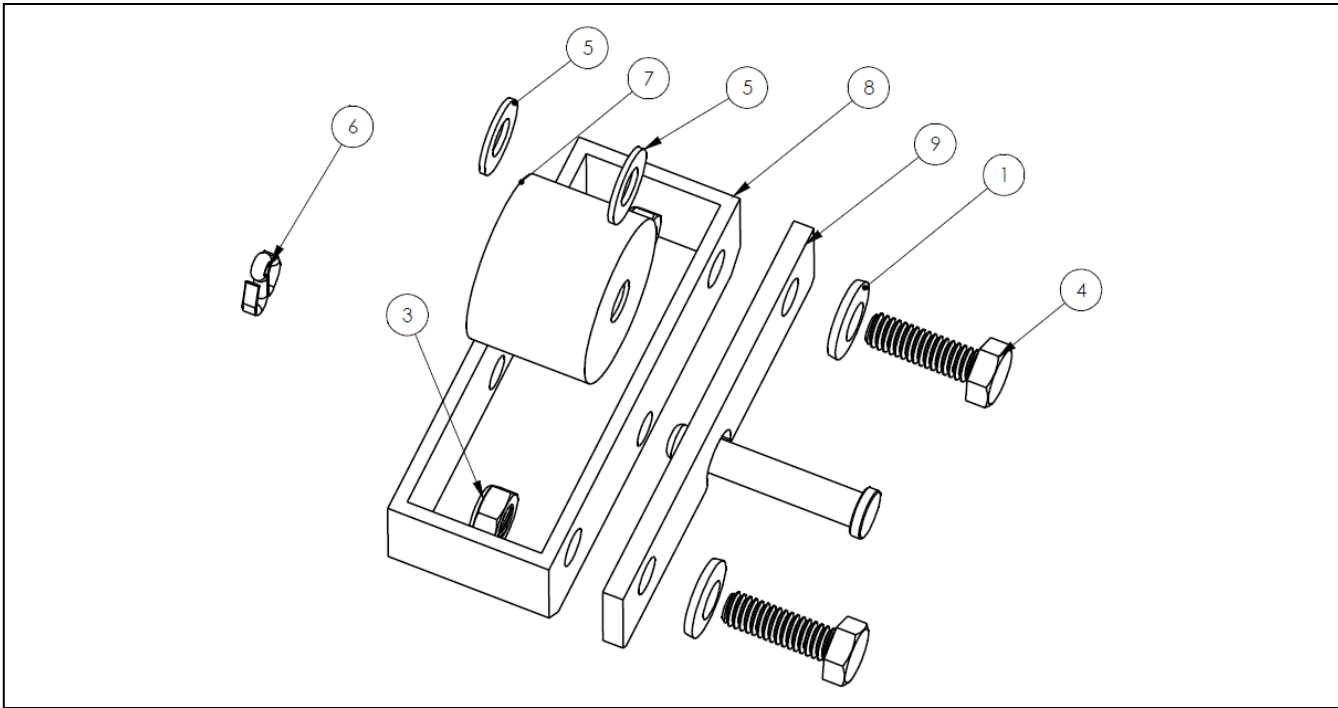


### Toe Plate Kit Extruded, 25" W. Narrow Ramp, Rev. B

Part No. 05-25-1111

Item #	Part Description	Quantity
1	HLNC, 5/16"-18, G8, CAD	6
2	HHCS, 5/16"-18 x 3/4", G8, CAD	4
3	HLNO, 5/16"-18, G8, CAD	4
4	WASHER 11/32 ID X 11/16 OD X .05 T, CAD	4
5	HHCS, 5/16"-18 x 1/2", G8, ZN	4
6	SIDE PLATE, RH, EXTRUDED TOE PLATE	1
7	SIDE PLATE, LH, EXTRUDED TOE PLATE	1
8	TOE PLATE EXTRUSION, 25" W RAMP	1
9	THREADED ROD, 5/16"-18, G5, ZN, 25-7/8" L	1

## Roller & Bracket Kit

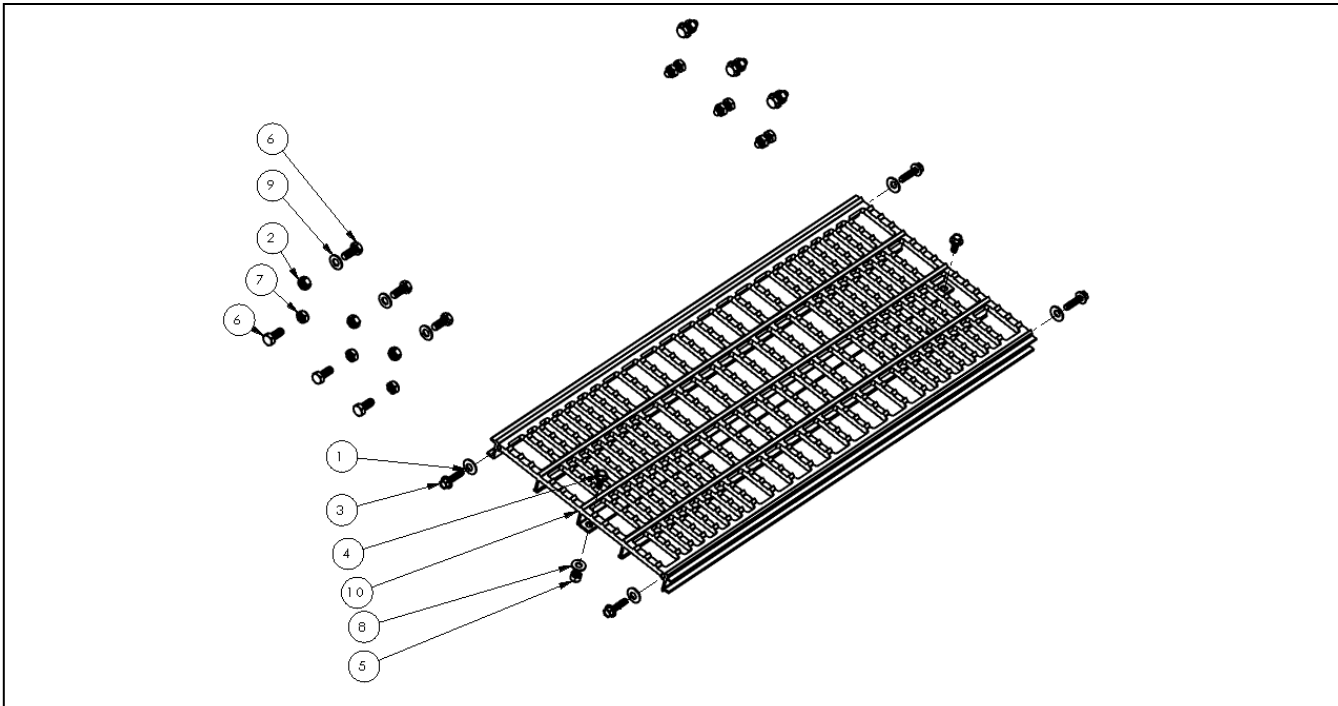


### Roller & Bracket Kit

Part No. 05-25-1002

Item #	Part Description	Quantity
1	WASHER, BELLEVILLE, .33 ID x .71 OD x .08T, CAD	2
2	PIN, CLEVIS, 5/16" x 1-3/4", CAD	1
3	HLNO, 5/16"-18, G8, CAD	2
4	HHCS, 5/16"-18 x 1", G8, CAD	2
5	WASHER 11/32 ID X 11/16 OD X .05 T, CAD	2
6	PIN, COTTER, 1/8"Dia. 1"L, CAD	1
7	ROLLER, RAMP W/O LIFT	1
8	WHEEL BRACKET, STRAIGHT RAMP	1
9	SPACER PLT, ROLLER ASSY, RAMP	1

## Safe Panel Kit, 26" W. Ramp

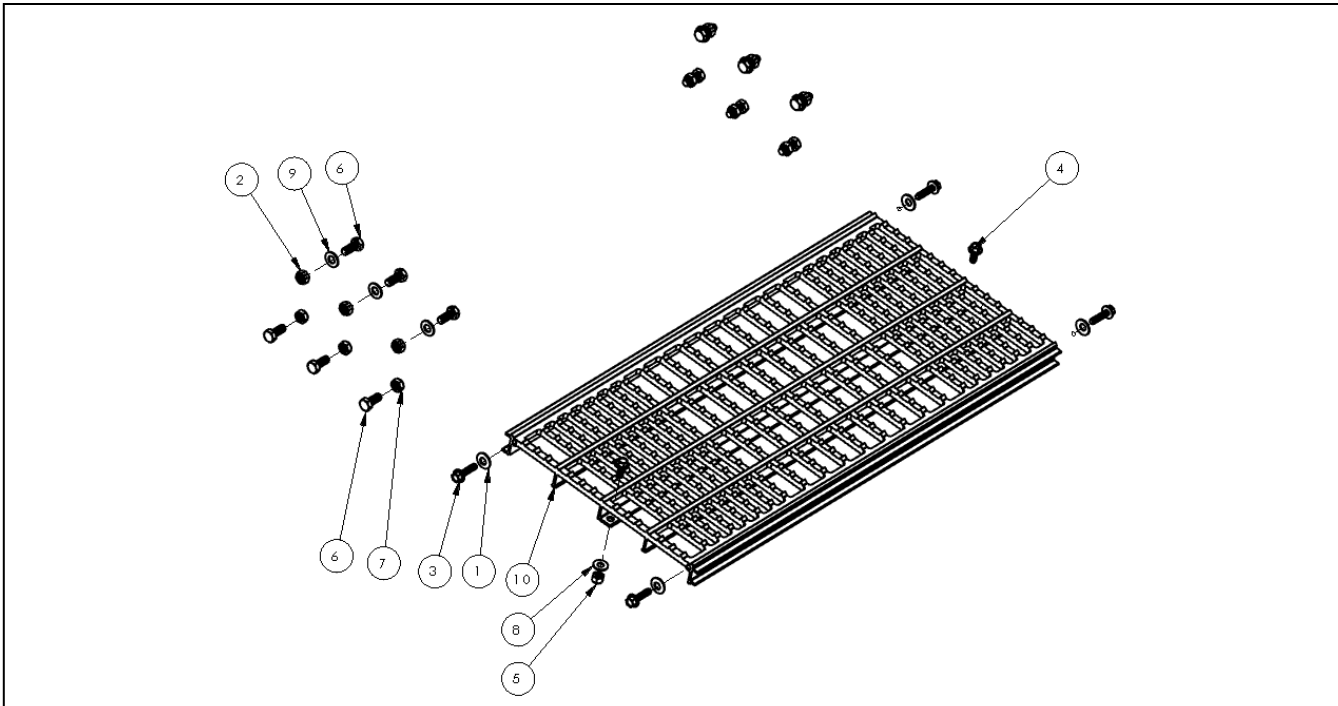


### Safe Panel Kit, 26" W. Ramp

Part No. 05-25-1026

Item #	Part Description	Quantity
1	WASHER, BELLEVILLE, .31 ID X .72 OD X .05 T, CAD	4
2	HLNC, 5/16"-18, G8, CAD	6
3	HHFCS, 1/4"-20 X 1", G8, CAD	4
4	HHFCS, 1/4"-20 X 5/8", G8, CAD	2
5	HLNN, 1/4"-20, G8, CAD	2
6	HHCS, 5/16"-18 x 3/4" G8, CAD	12
7	HLNN, 5/16"-18, THIN, G8, CAD	6
8	WSAE 1/4" X 5/8 OD X .065, G8, CAD	2
9	WASHER 11/32 ID X 11/16 OD X .05 T, CAD	6
10	SAFE PANEL, 26" W RAMP, 24.5" W	1

## Safe Panel Kit, 25" W. Narrow Ramp

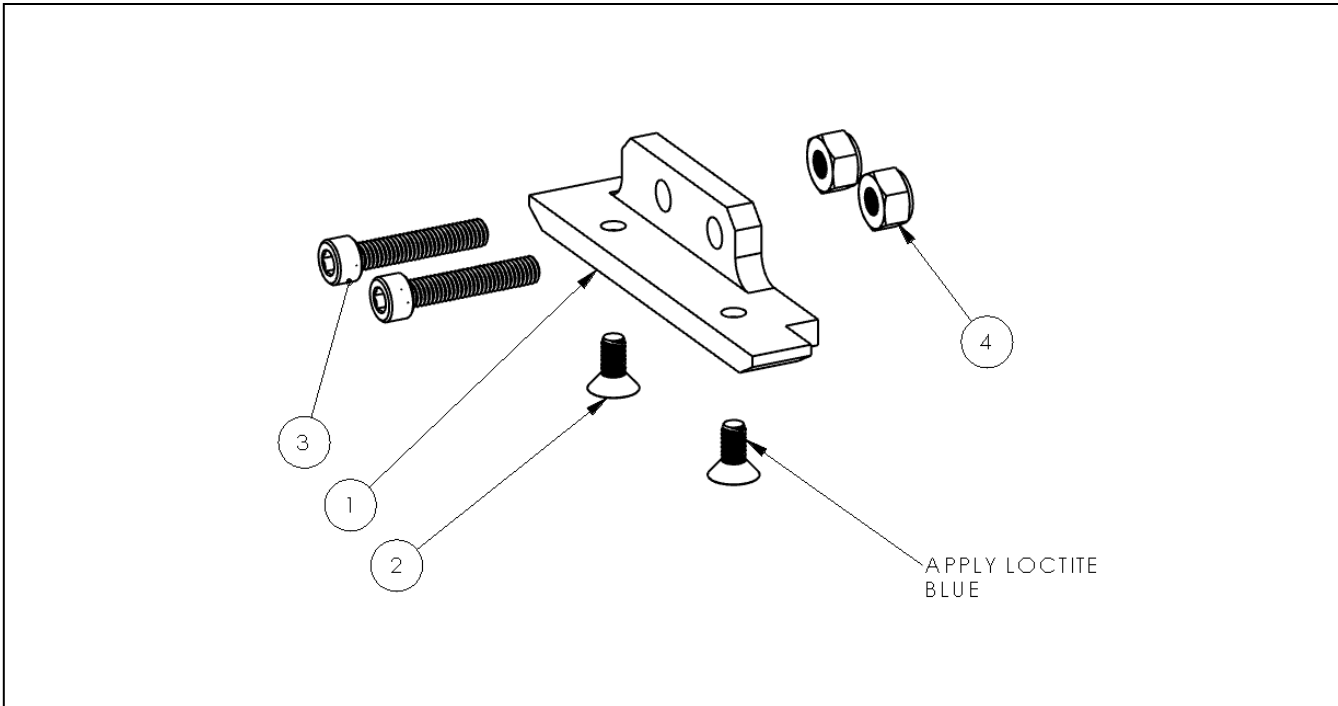


### Safe Panel Kit, 25" W. Narrow Ramp

Part No. 05-25-1045

Item #	Part Description	Quantity
1	WASHER, BELLEVILLE, .31 ID X .72 OD X .05 T, CAD	4
2	HLNC, 5/16"-18, G8, CAD	6
3	HHFCS, 1/4"-20 X 1", G8, CAD	4
4	HHFCS, 1/4"-20 X 5/8", G8, CAD	2
5	HLNN, 1/4"-20, G8, CAD	2
6	HHCS, 5/16"-18 x 3/4" G8, CAD	12
7	HLNN, 5/16"-18, THIN, G8, CAD	6
8	WSAE 1/4" X 5/8 OD X .065, G8, CAD	2
9	WASHER 11/32 ID X 11/16 OD X .05 T, CAD	6
10	SAFE PANEL, 25" W RAMP, 23.2" W	1

## Wear Plate Kit, Left Hand



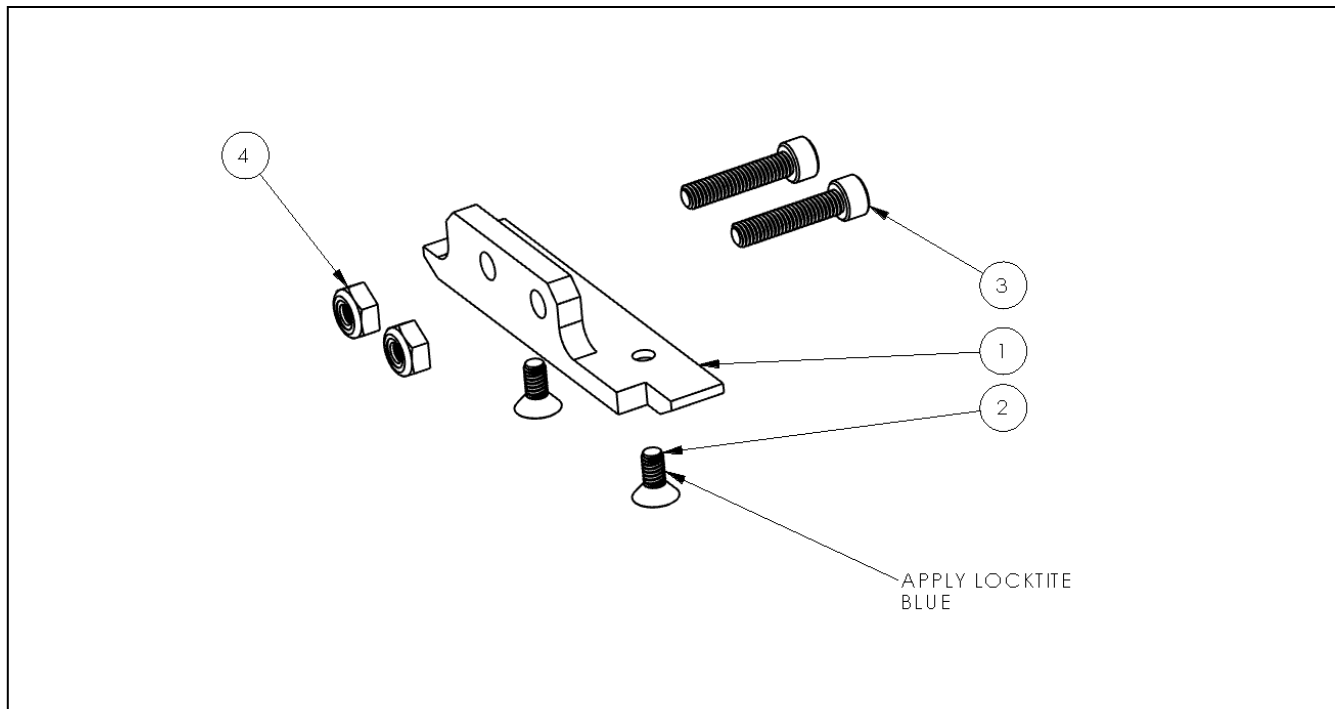
### Wear Plate Kit, Left Hand

Part No. 05-25-1031

Item #	Part Description	Quantity
1	WEAR PLATE, TOE PLATE, LEFT HAND	1
2	SFHC, #8-32 X 1/2", G8, CAD	2
3	SHCS, #10-32 X 7/8", G8, CAD	2
4	HLNN, #10-32, G8, CAD	2



## Wear Plate Kit, Right Hand



### Wear Plate Kit, Right Hand

Part No. 05-25-1030

Item #	Part Description	Quantity
1	WEAR PLATE, TOE PLATE, RIGHT HAND	1
2	SFHC, #8-32 X 1/2", G8, CAD	2
3	SHCS, #10-32 X 7/8", G8, CAD	2
4	HLNN, #10-32, G8, CAD	2