

R•O•M SIDEKICK™ Ramp & Carrier Parts Manual



Table of Contents

Serial Number Location	4
Label Kit, Sidekick Ramp	5
Allthread, Sidekick w/Std. Nut	6
Apron, Long Apron Kit for Sidekick	7
Cam Replacement Kit, Left Side	8
Cam Replacement Kit, Right Side	9
Carrier Door Sub-Assembly	10
Carrier Door Latch Kit	11
Carrier Slide Plate Replacement Kit	12
Carrier Stop Bracket Replacement Kit	13
Casting, Transition Kit	14
Casting, Standard Kit	15
End Rod w/ Handle Assembly for Sidekick	16
Hinge Plate Replacement Kit, Left Side	17
Hinge Plate Replacement Kit, Right Side	18
Latch Arm Kit	19
Leg Stop Block Kit	20
Pivot Pin Kit, Sidekick	21
Ramp Pin Replacement Kit	22
Side Rail Kit, Sidekick, Left Side w/Labels	23
Side Rail Kit, Sidekick, Right Side w/Labels	24

Table of Contents (cont'd)

Side Rail Kit, SidekickK Extension, Left Side w/Labels	25
Side Rail Kit, SidekickK Extension, Right Side w/Labels	26
Stop Block Kit for SidekickK	27
Tie Rod Replacement Kit 25-7/8" Wide	28
Toe Plate & Hardware Kit	29
Wheel, SidekickK Wheel Bracket Sub Assembly **	30
Wheel, SidekickK Wheel & Push Rod Assembly **	31
Wheel, SidekickK Wheel Support Leg Assembly.....	32

**** Note:**

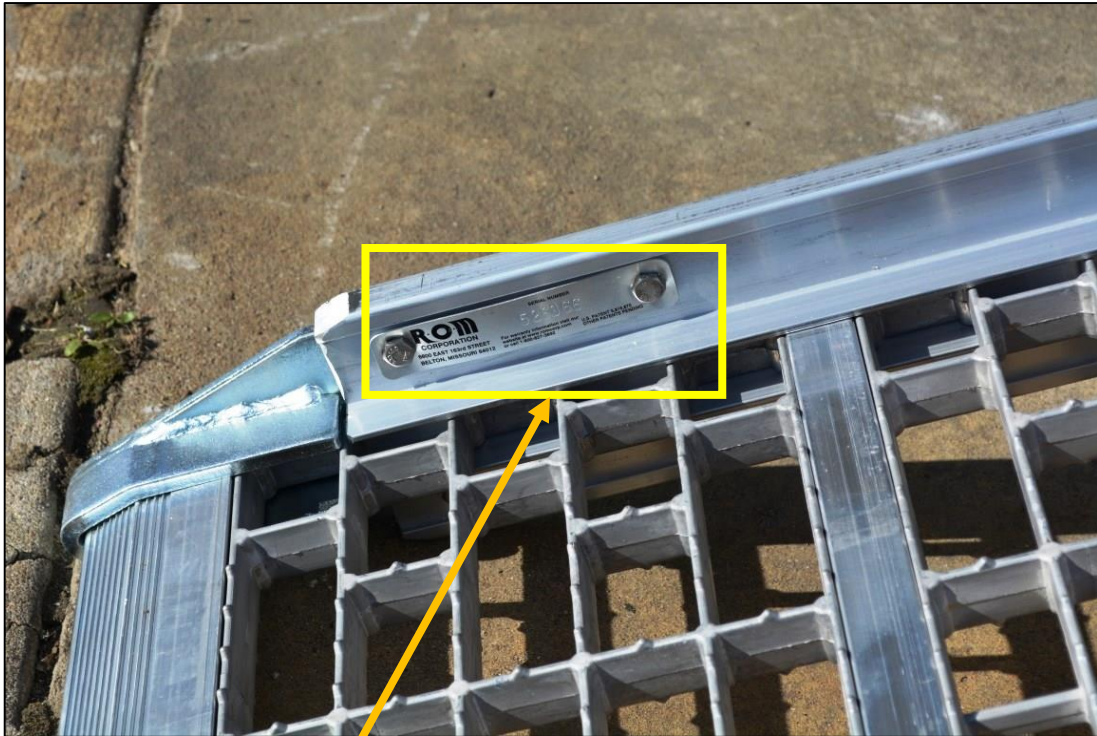
The original SidekickK Small Wheel is an obsolete product and replaced by the above wheel. When replacing the original small wheel you need to purchase the full support leg assembly noted below:

SidekickK Wheel Support Leg Assembly, Part No. R02647

Serial Number Location

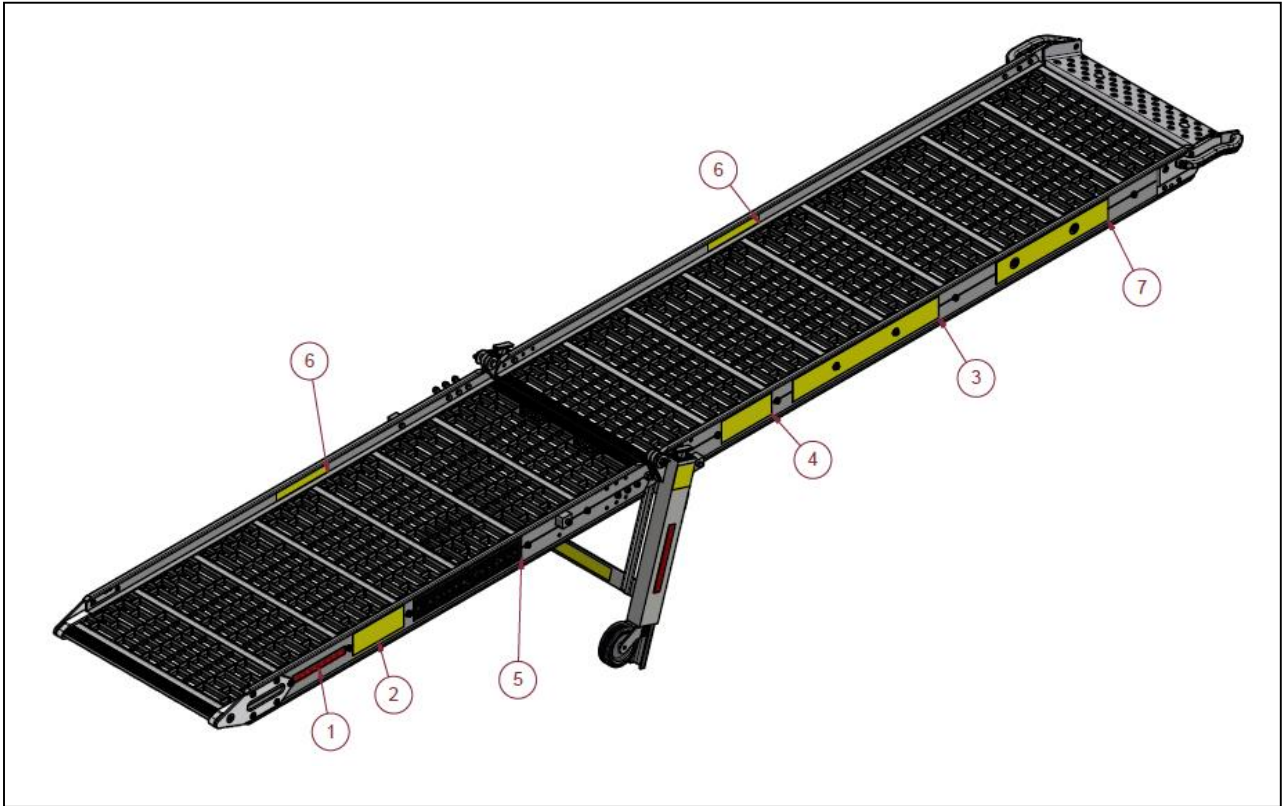
PLEASE NOTE:

Be sure to check the Serial Number before ordering parts.



Serial number located on the inside of the left rail

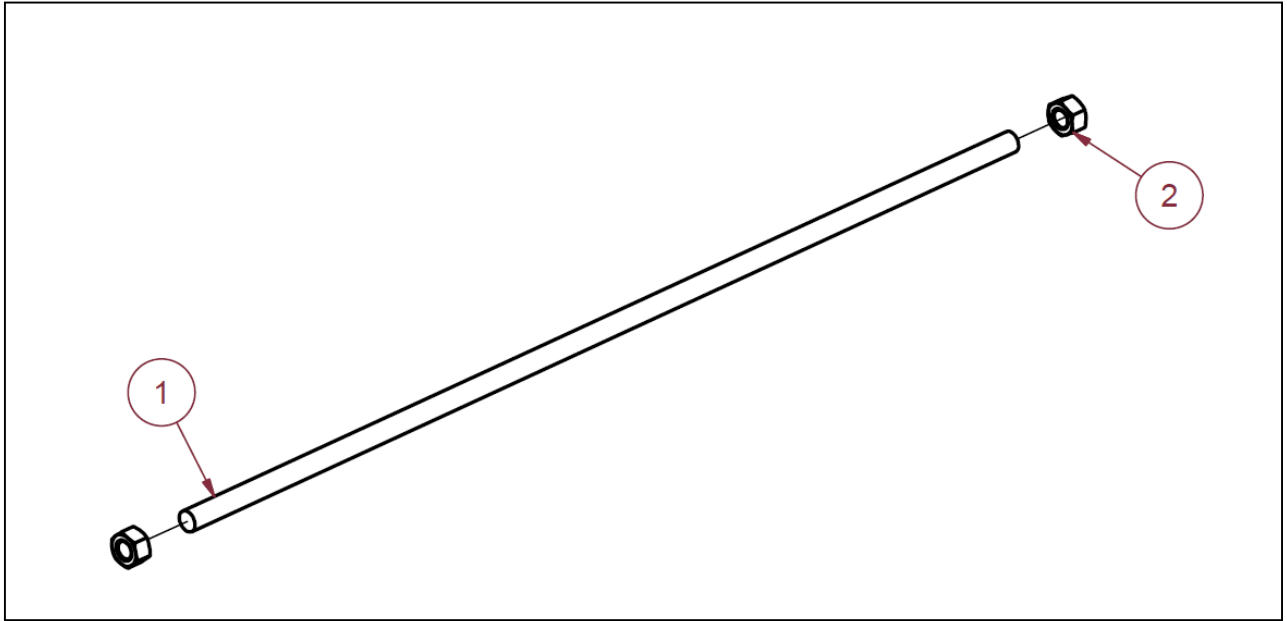
Sidekick Ramp Label Kit Here



Sidekick Ramp Label Kit, Part No. R04311

Item #	Part Description	Quantity
1	TAPE REFLECTIVE RED 1" W X 8" L	2
2	LABEL DO NOT DROP FOLDING RAMP	2
3	LABEL SIDEKICK	2
4	LABEL WARNING RAMP SAFETY CHECK	2
5	SAFETY TAPE 3" BLACK / YELLOW CHEVRON	2
6	LABEL CAUTION WATCH STEP	4
7	LABEL SIDEKICK USER INSTRUCTIONS	2

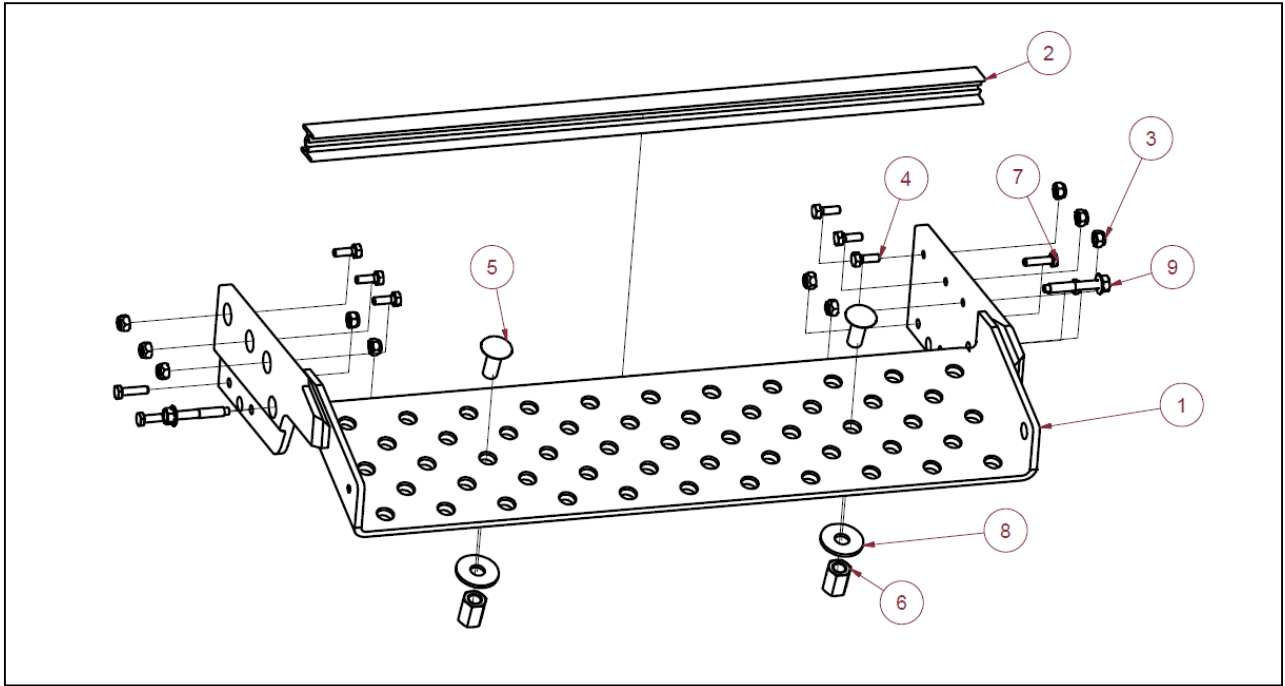
Allthread, Sidekick w/ Std. Nut



Allthread, Sidekick w/Std. Nut, Part No. R01660

Item #	Part Description	Quantity
1	ALLTHREAD 1/2-13 x 26" LNG SS	1
2	1/2"-13 NUT FINISHED SS	2

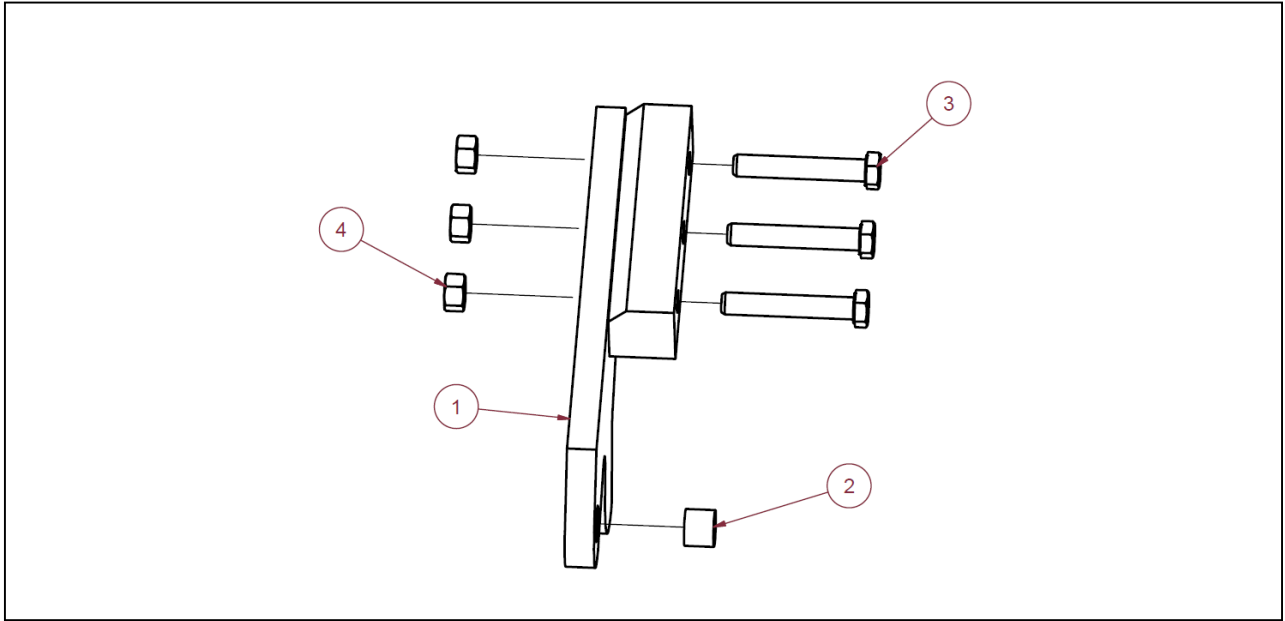
Apron, Long Apron Kit for Sidekick



Apron, Long Apron Kit for Sidekick, Part No. R00100

Item #	Part Description	Quantity
1	APRON WELDMENT 6-5/8" X 25-1/8"	1
2	TIE ROD CUT TO STD 24-3/4"	1
3	1/4"-20 NYLON INSERT STOP NUT SS	10
4	1/4"-20 X 3/4 HEX HD CAP SCREW SS	6
5	1/2"-13 X 1-1/4" ZP CARRIAGE BOLT	2
6	1/2"-13 X 1" THIN WALL COUPLER NUT ZP	2
7	1/4"-20 X 1" GR5 HEX HD CAP SCREW ZP	4
8	WASHER CONICAL 115 THK .515" ID 1.5" OD	2
9	TIE ROD SCREW	2
	FM-8.5-43 - RAMP APRON REPLACEMENT INSTRUCTIONS (not shown)	1

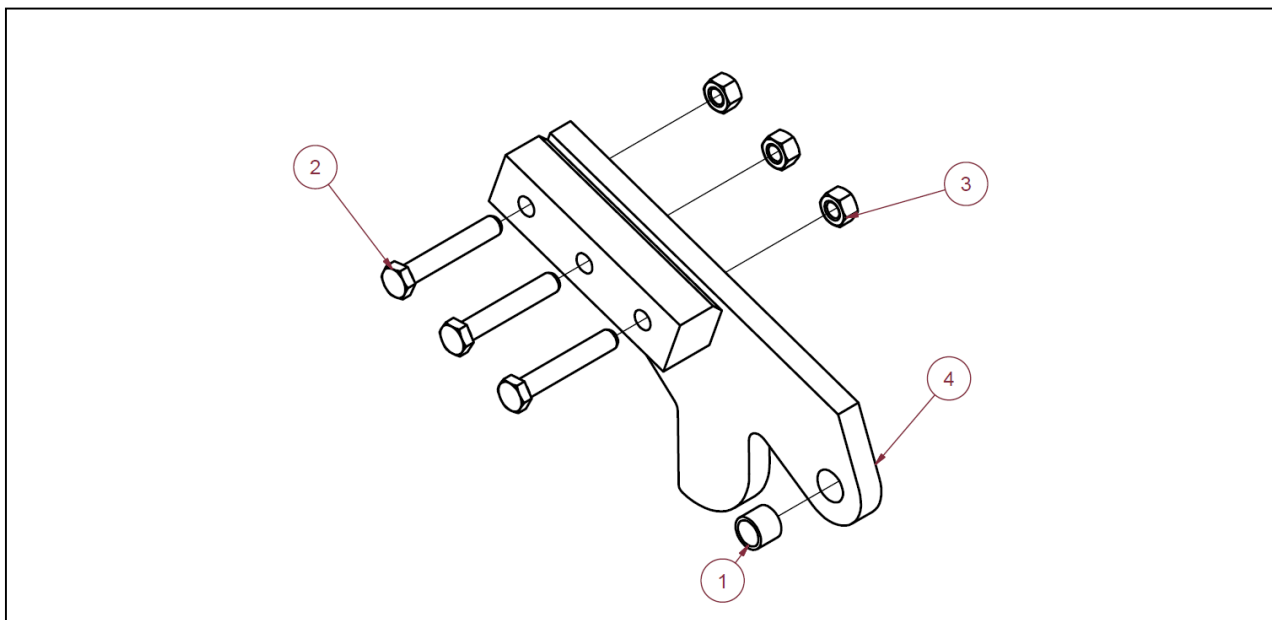
Cam Replacement Kit, Left Hand



Cam Replacement Kit, Left Hand, Part No. R04290

Item #	Part Description	Quantity
1	CAM HINGE BKT - LH BIG WHEEL	1
2	BUSHING CAST BRZ OD .625" X ID.500"	1
3	3/8"-16 2-1/4" HEX HD CAP SCREW GR8 ZY	3
4	3/8"-16 CENTER LOCK NUT ZP	3

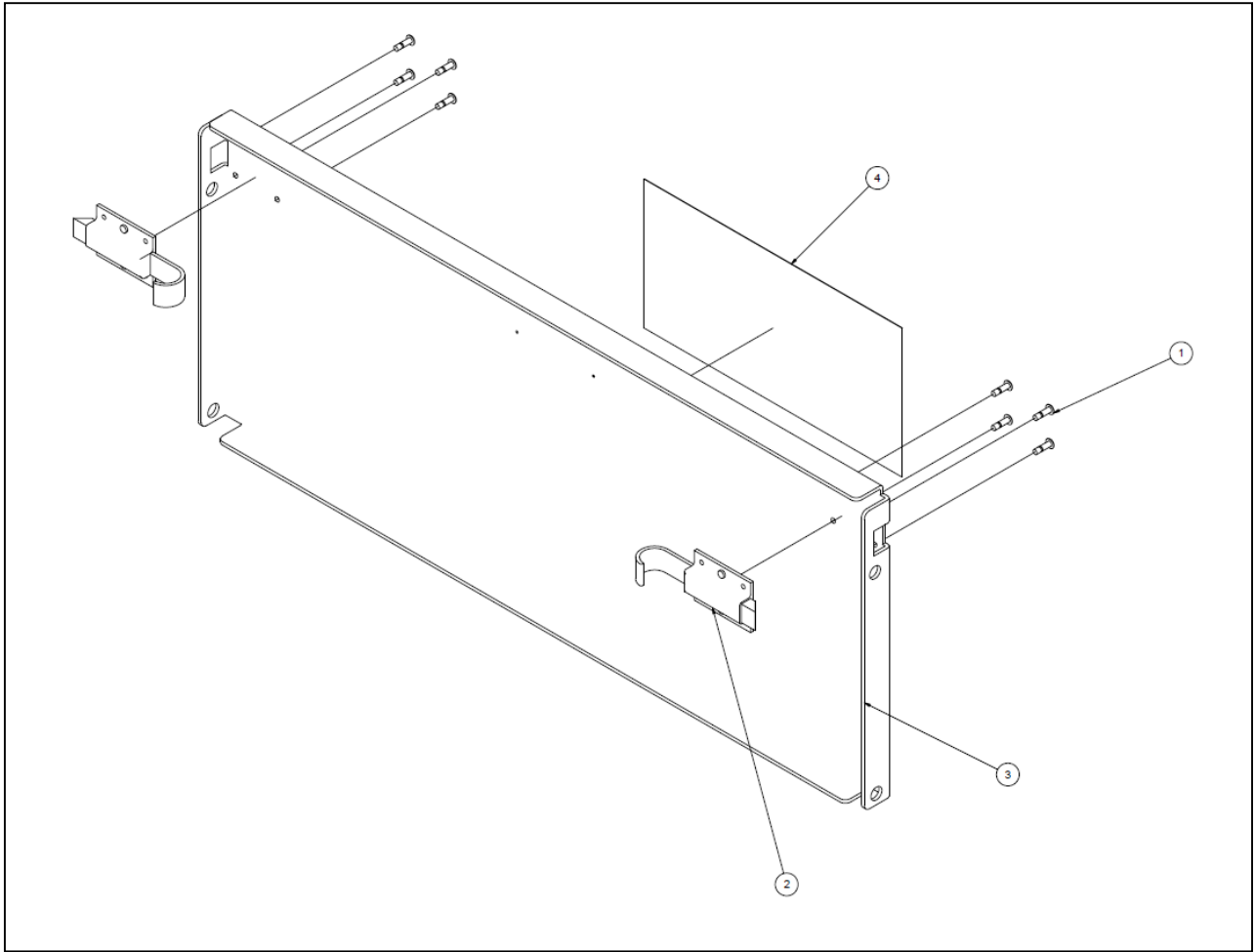
Cam Replacement Kit, Right Hand



Cam Replacement Kit, Right Hand, Part No. R04291

Item #	Part Description	Quantity
1	BUSHING CAST BRZ OD .625" X ID.500"	1
2	3/8"-16 2-1/4" HEX HD CAP SCREW GR8 ZY	3
3	3/8"-16 CENTER LOCK NUT ZP	3
4	CAM HINGE BKT - RH BIG WHEEL	1

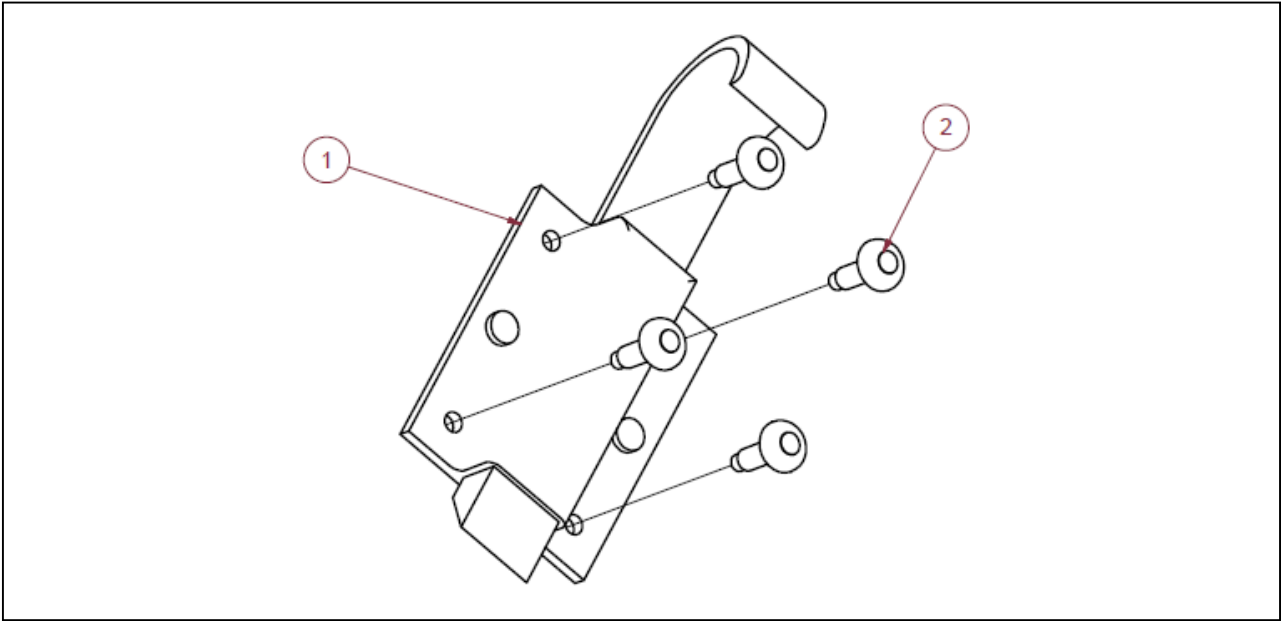
Carrier Door Sub-Assembly



Carrier Door Sub-Assembly, Part No. R00743

Item #	Part Description	Quantity
1	RIVET, 3/16" SS	8
2	FINGER BOLT LATCH	2
3	CARRIER END GATE, SIDEKICK / PLATFORM	1
4	SK LABEL INST. USER CARRIER	1

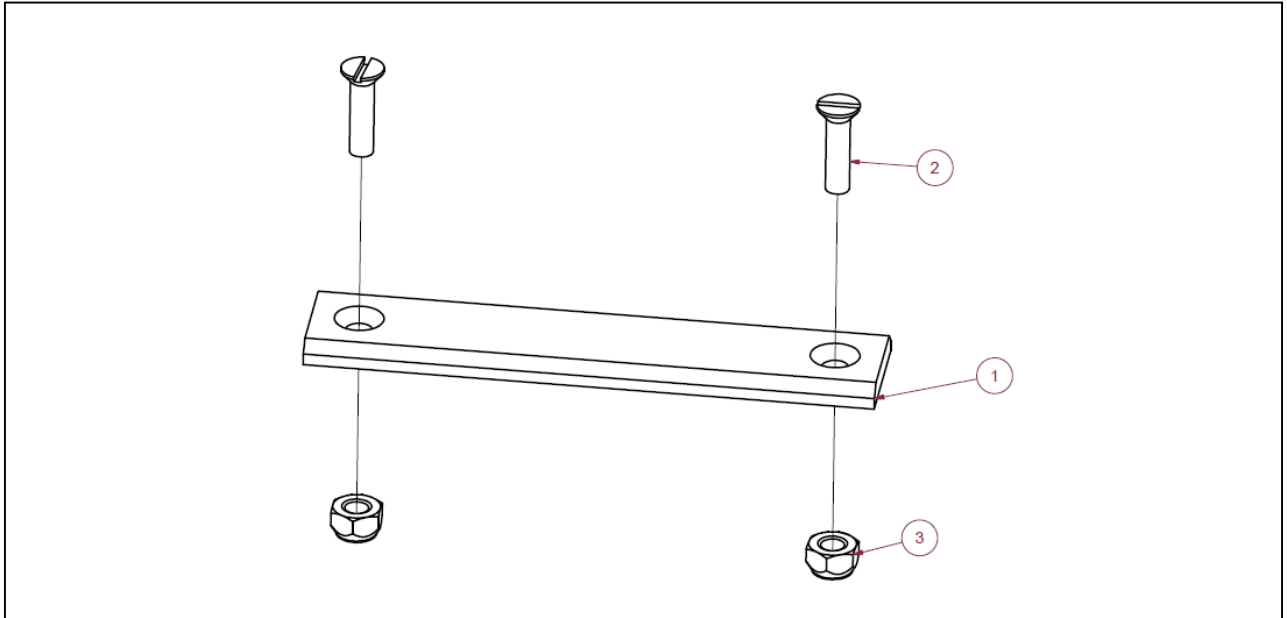
Carrier Door Latch Kit



Carrier Door Latch Kit, Part No. R04281

Item #	Part Description	Quantity
1	FINGER BOLT LATCH	1
2	RIVET SS 3/16" GRIP .214-.437 STRL	4

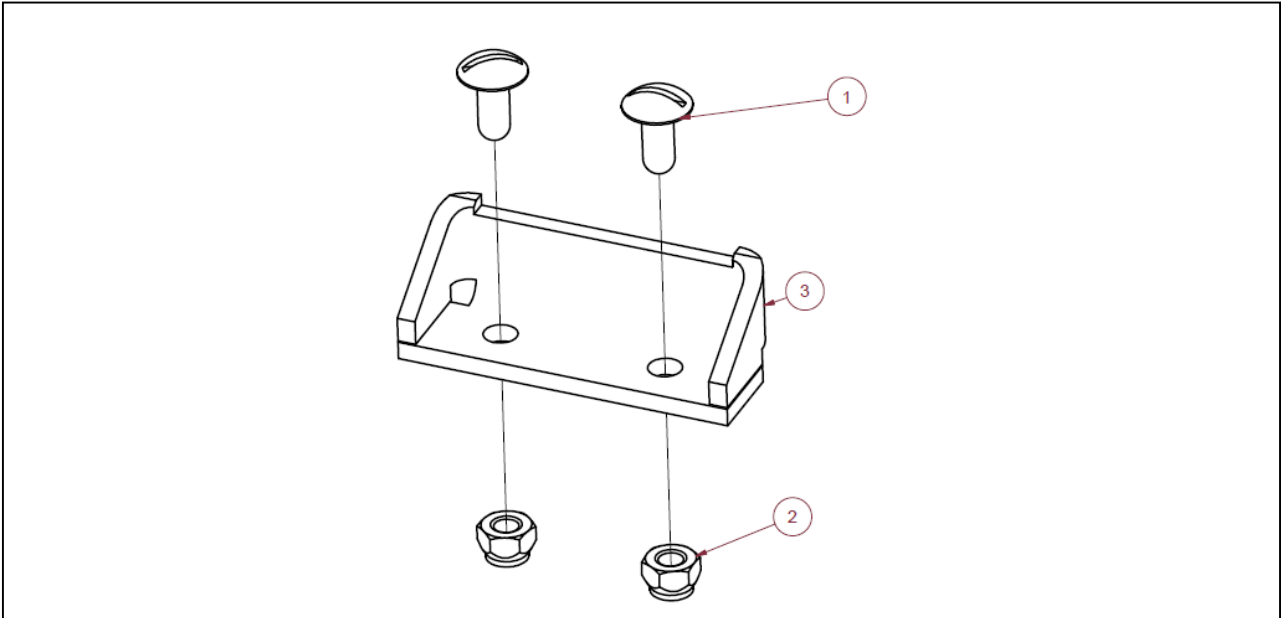
Carrier Slide Plate Replacement Kit



Carrier Slide Plate Replacement Kit, Part No. R04295

Item #	Part Description	Quantity
1	WEAR PAD - CARRIER FOLDING RAMP	1
2	1/4"-20 X 1 PHL CSNK HD MACH SCREW SS	2
3	1/4"-20 NYLON INSERT STOP NUT SS	2

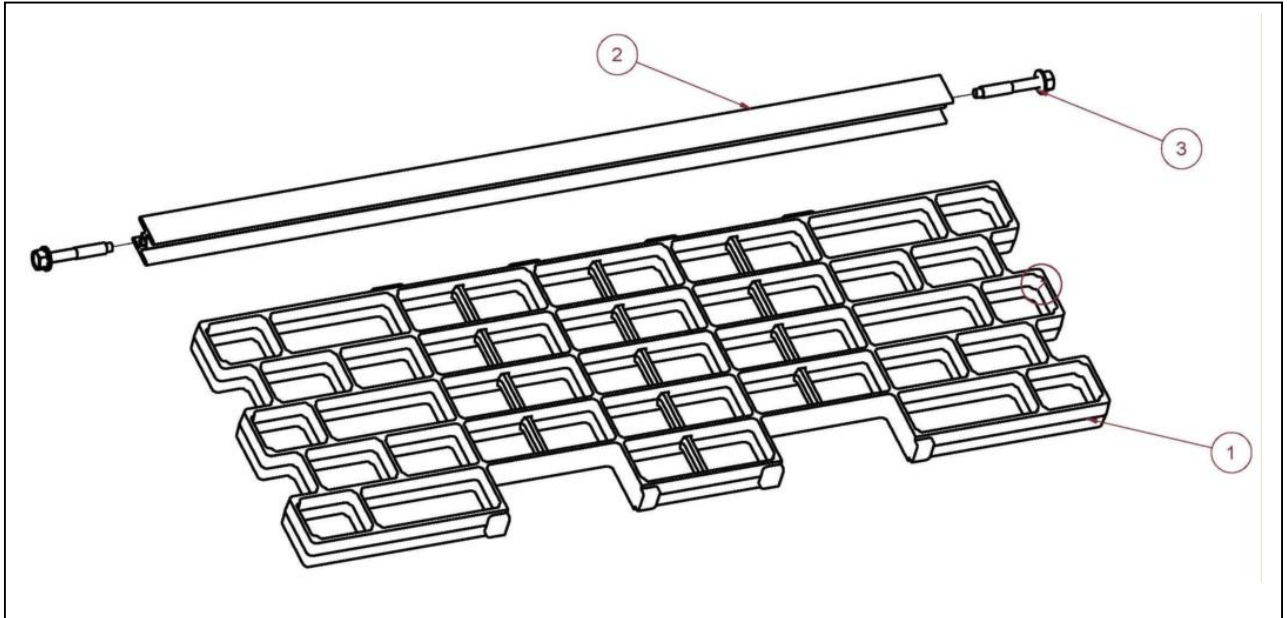
Carrier Stop Bracket Replacement Kit



Carrier Stop Bracket Replacement Kit, Part No. R04296

Item #	Part Description	Quantity
1	SCREW 5/16"-18 X 3/4" SLT TRS HD MACH ZP	2
2	5/16"-18 X 1 NYLON INSERT LOCK NUT ZP	2
3	STOP ANGLE PC'D 3/16" X 1-1/4" X 1-1/4" X 3" STEEL	1

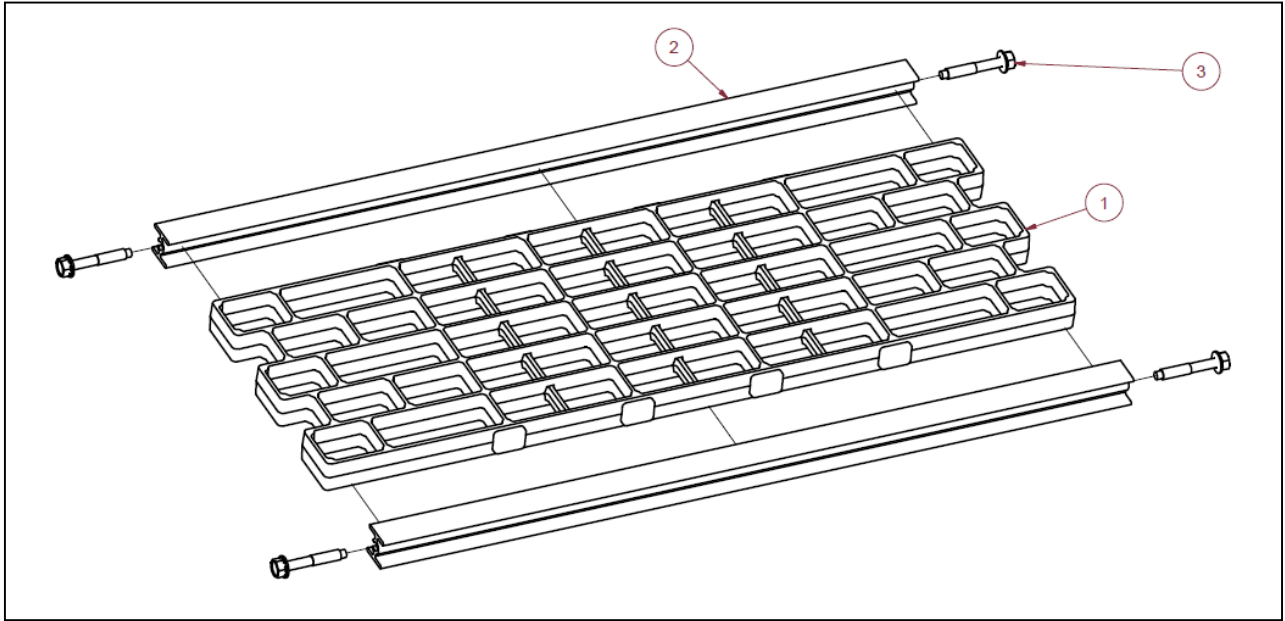
Casting, Transition Kit



Casting, Transition Kit, Part No. R04270

Item #	Part Description	Quantity
1	CASTING, TRANSITION PLATE STD	1
2	TIE ROD CUT TO STD 24-3/4"	1
3	TIE ROD SCREW	2

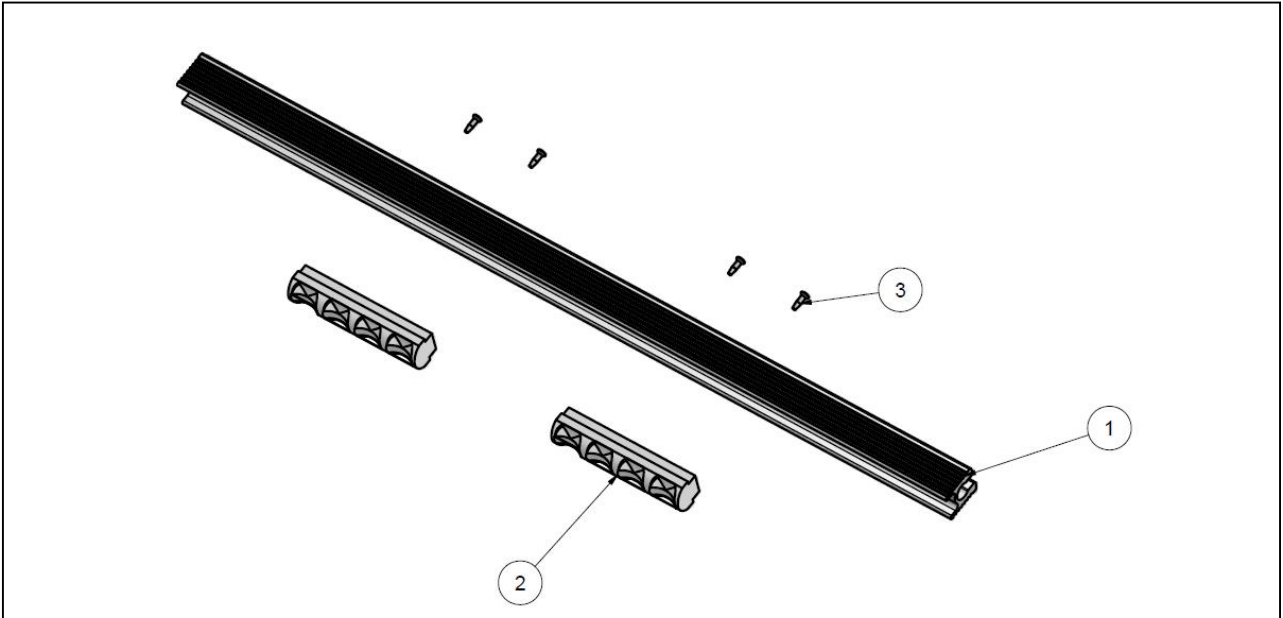
Casting, Standard Kit



Casting, Standard Kit, Part No. R04271

Item #	Part Description	Quantity
1	RAMP CASTING, MAG RAMP OD 25-7/8"	1
2	TIE ROD CUT TO STD 24-3/4"	2
3	TIE ROD SCREW	4

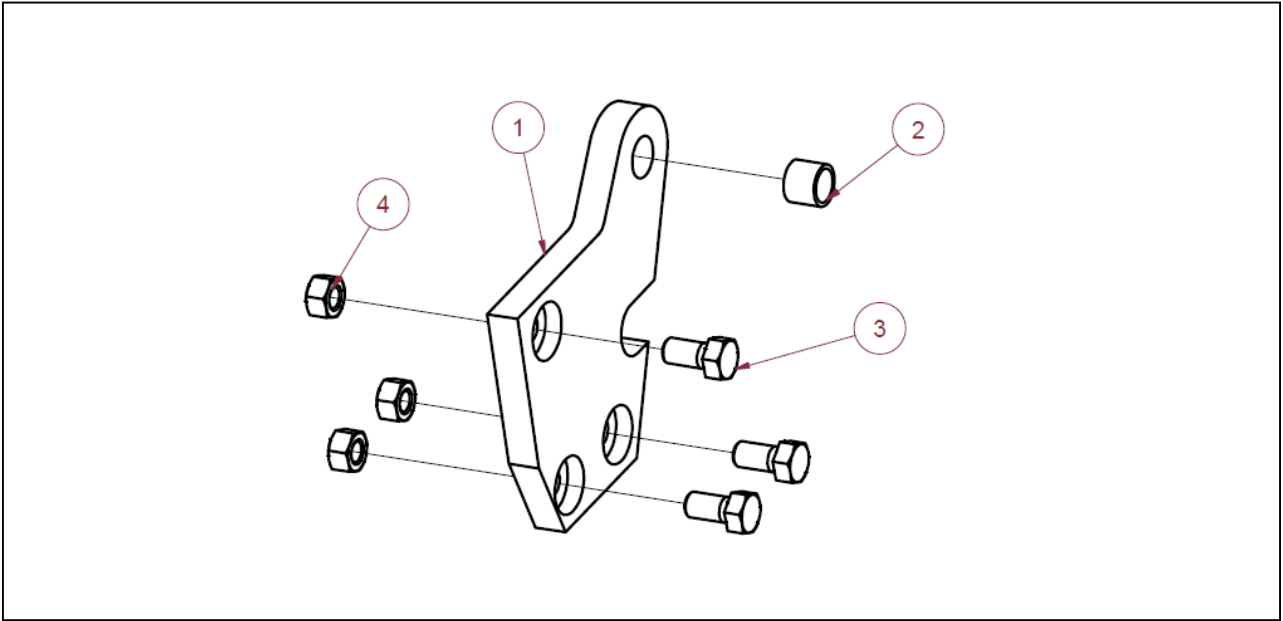
End Rod w/ Handle Assembly for Sidekick



End Rod w/ Handle Assembly for Sidekick, Part No. R00293

Item #	Part Description	Quantity
1	END ROD W/ DRILLED HOLES	1
2	HANDLE - FOLDING RAMP	2
3	6" X 1/2" PHL FLT HD S/M SCREW ZP	4

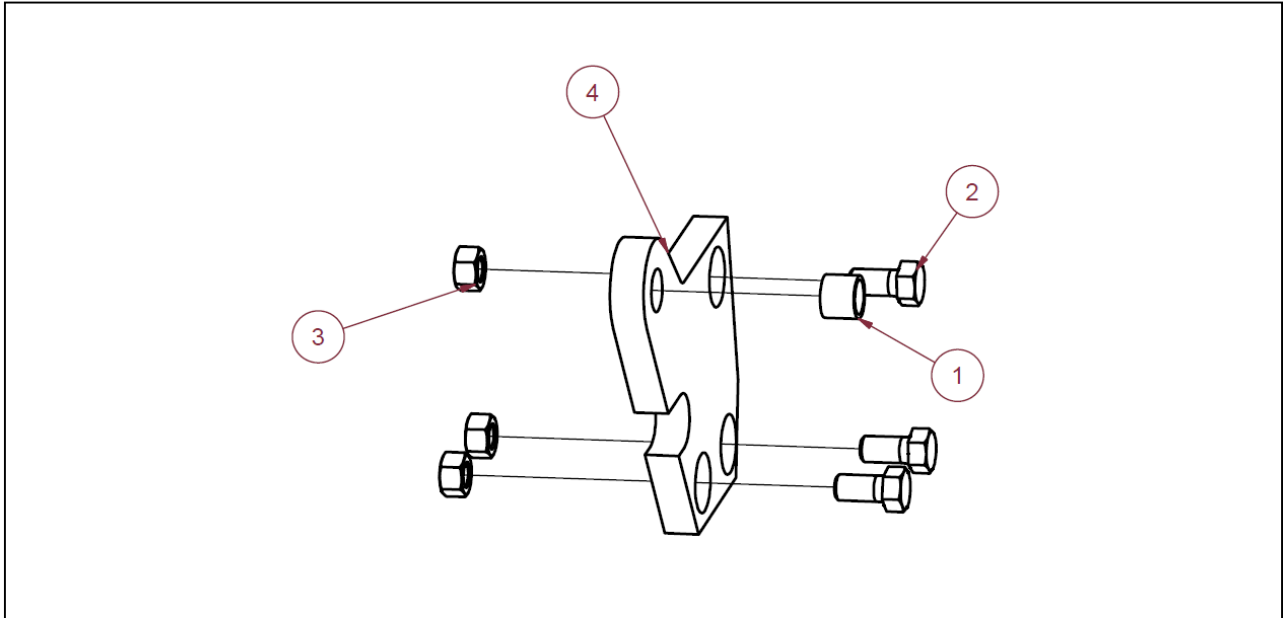
Hinge Plate Replacement Kit, Left Hand



Hinge Plate Replacement Kit, Left Hand, Part No. R04292

Item #	Part Description	Quantity
1	HINGE - FOLDING RAMP - LEFT HAND	1
2	BUSHING CAST BRZ OD .625" X ID .500"	1
3	3/8"-16 X 3/4" HEX HD CAP SCREW SS	3
4	3/8"-16 CENTER LOCK NUT ZP	3

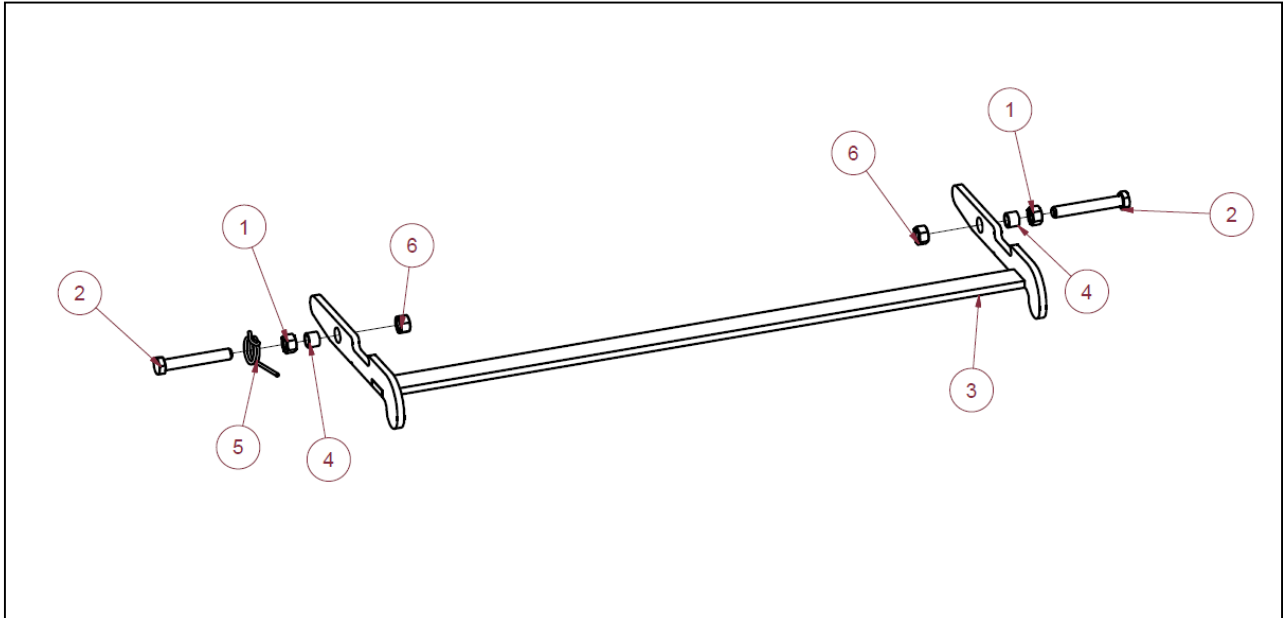
Hinge Plate Replacement Kit, Right Hand



Hinge Plate Replacement Kit, Right Hand, Part No. R04293

Item #	Part Description	Quantity
1	BUSHING CAST BRZ OD .625" X ID.500"	1
2	3/8"-16 X 3/4" HEX HD CAP SCREW SS	3
3	3/8"-16 CENTER LOCK NUT ZP	3
4	HINGE - FOLDING RAMP - RIGHT HAND	1

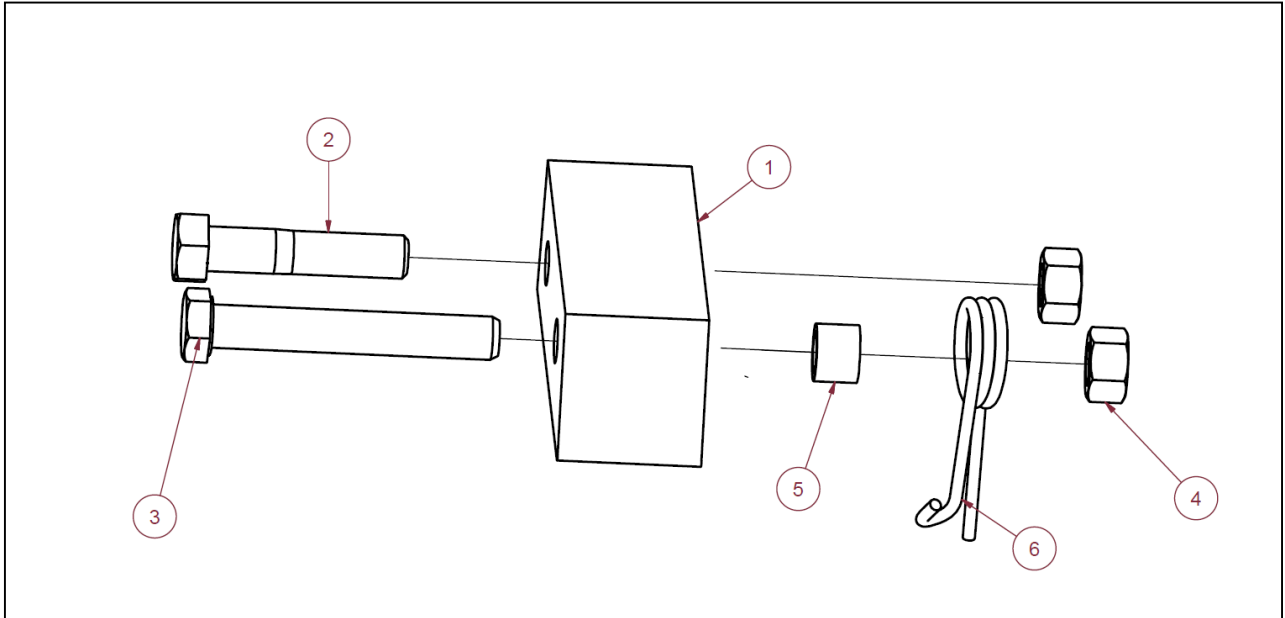
Latch Arm Kit



Latch Arm Kit, Part No. R02653

Item #	Part Description	Quantity
1	3/8"-16 HEX NUT ZP	2
2	3/8"-16 X 2-1/2" HEX HD CAP SCREW SS	2
3	LATCH ARM WELDING ASSEMBLY PC'D	1
4	BUSHING 3/8" ID X 1/2" OD X 3/8" BRONZE	2
5	LATCH RETURN SPRING LH	1
6	3/8"-16 CENTER LOCK NUT ZP	2

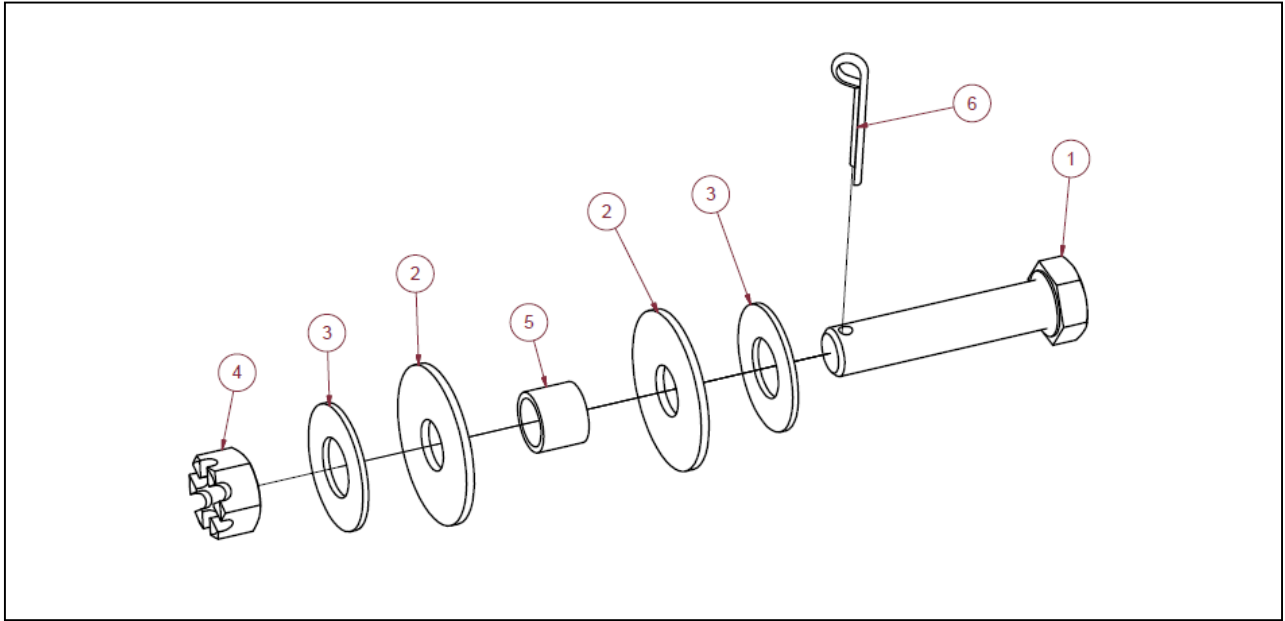
Leg Stop Block Kit



Leg Stop Block Kit, Part No. R04288

Item #	Part Description	Quantity
1	STOP - FOLDING RAMP	1
2	3/8"-16 X 1-3/4" HEX HD CAP SCREW SS	1
3	3/8"-16 X 2-1/2" HEX HD CAP SCREW SS	1
4	3/8"-16 CENTER LOCK NUT ZP	3
5	BUSHING 3/8" ID X 1/2" OD X 3/8" BRONZE	1
6	LATCH RETURN SPRING LH	1

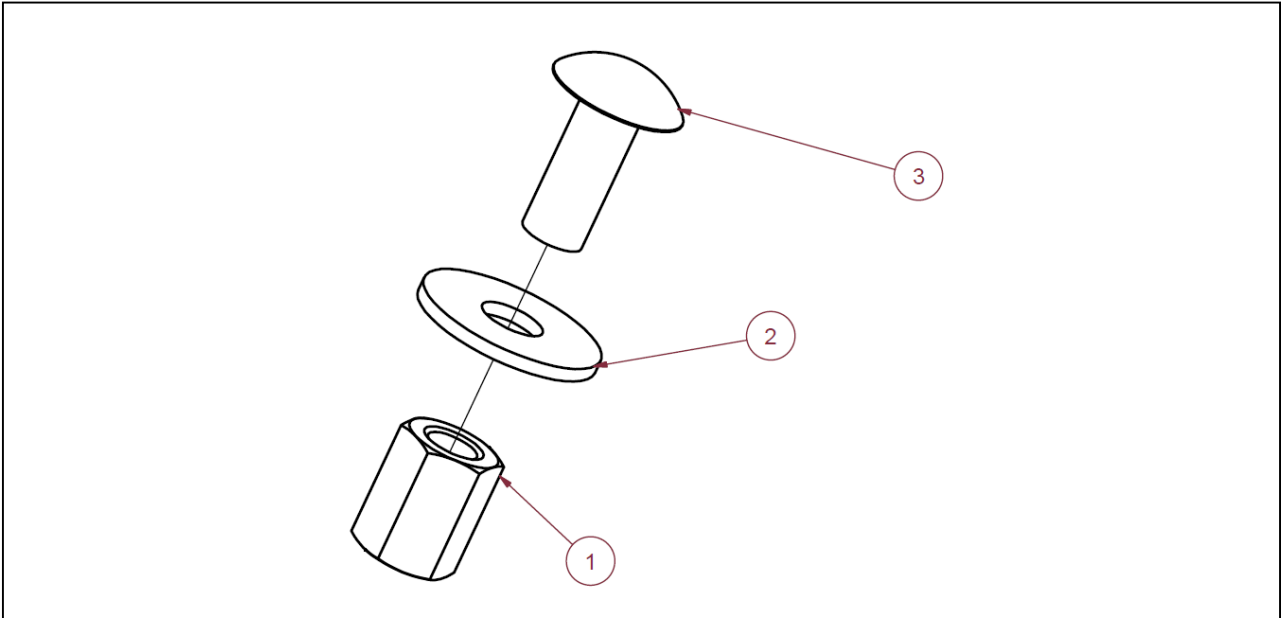
Pivot Pin Kit, Sidekick



Pivot Pin Kit, Sidekick, Part No. R04286

Item #	Part Description	Quantity
1	1/2"-13 x 2-5/16" HEX HD CAP SCREW GR8 ZP	1
2	WASHER FLAT 1/2" SERIES N-ZP	2
3	WASHER NYLON 1/16" X 5/8" ID X 1-5/16" OD	2
4	1/2"-13 SLOTTED NUT SS	1
5	BUSHING CAST BRZ OD .625" X ID.500"	1
6	1/8" X 1" COTTER PIN, SS	1

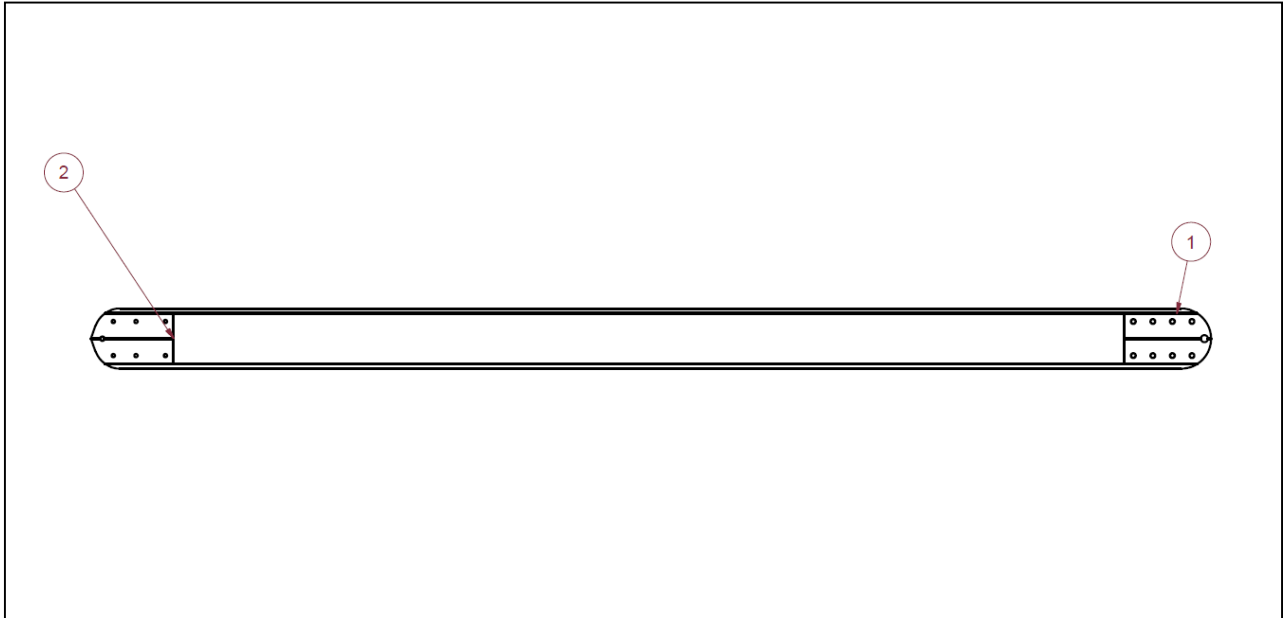
Ramp Pin Replacement



Ramp Pin Replacement Kit, Part No. R04279

Item #	Part Description	Quantity
1	1/2"-13 X 1" THIN WALL COUPLER NUT ZP	1
2	WASHER CONICAL 115 THK .515" ID 1.5" OD	1
3	CARRIAGE BOLT 1/2"-13 X 1-1/4" ZP	1

Side Rail Kit, Sidekick Left Side w/Labels



Side Rail Kit, Sidekick Left Side w/Labels, Part No. R04105

Item #	Part Description	Quantity
1	BASE RAIL, LEFT SIDE - SIDEKICK	1
2	LABEL - SIDEKICK RAIL	1

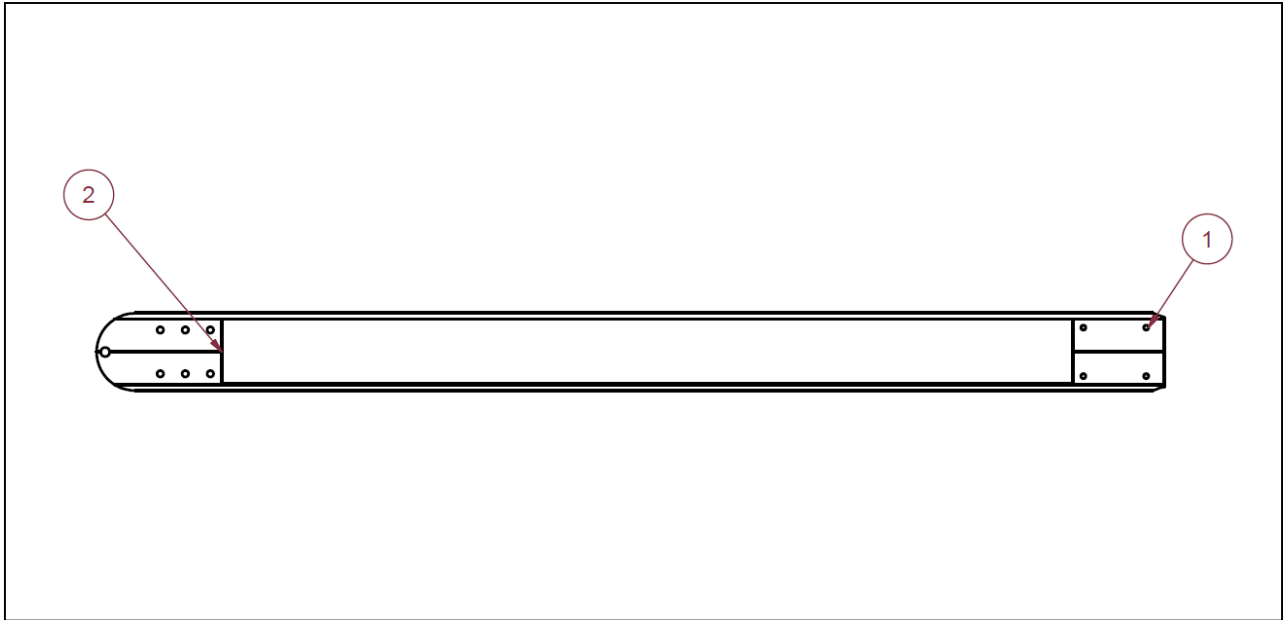
Side Rail Kit, Sidekick Right Side w/Labels



Side Rail Kit, Sidekick Right Side w/Labels, Part No. R04106

Item #	Part Description	Quantity
1	BASE RAIL, RIGHT SIDE - SIDEKICK	1
2	LABEL - SIDEKICK RAIL	1

Side Rail Kit, Sidekick Extension, Left Side w/Labels



Side Rail Kit, Sidekick Extension, Left Side w/Labels, Part No. R04107

Item #	Part Description	Quantity
1	EXTENSION RAIL, LEFT SIDE - SIDEKICK	1
2	LABEL - SIDEKICK RAIL	1

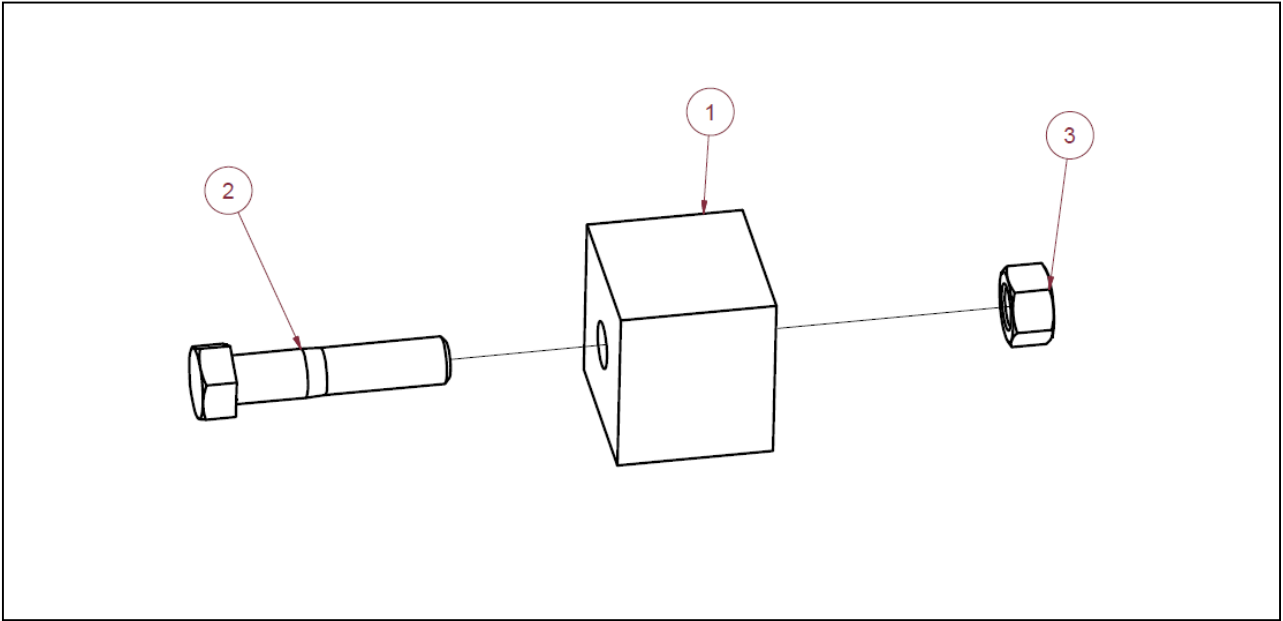
Side Rail Kit, Sidekick Extension, Right Side w/Labels



Side Rail Kit, Sidekick Extension, Right Side w/Labels, Part No. R04108

Item #	Part Description	Quantity
1	EXTENSION RAIL, RIGHT SIDE - SIDEKICK	1
2	LABEL - SIDEKICK RAIL	1

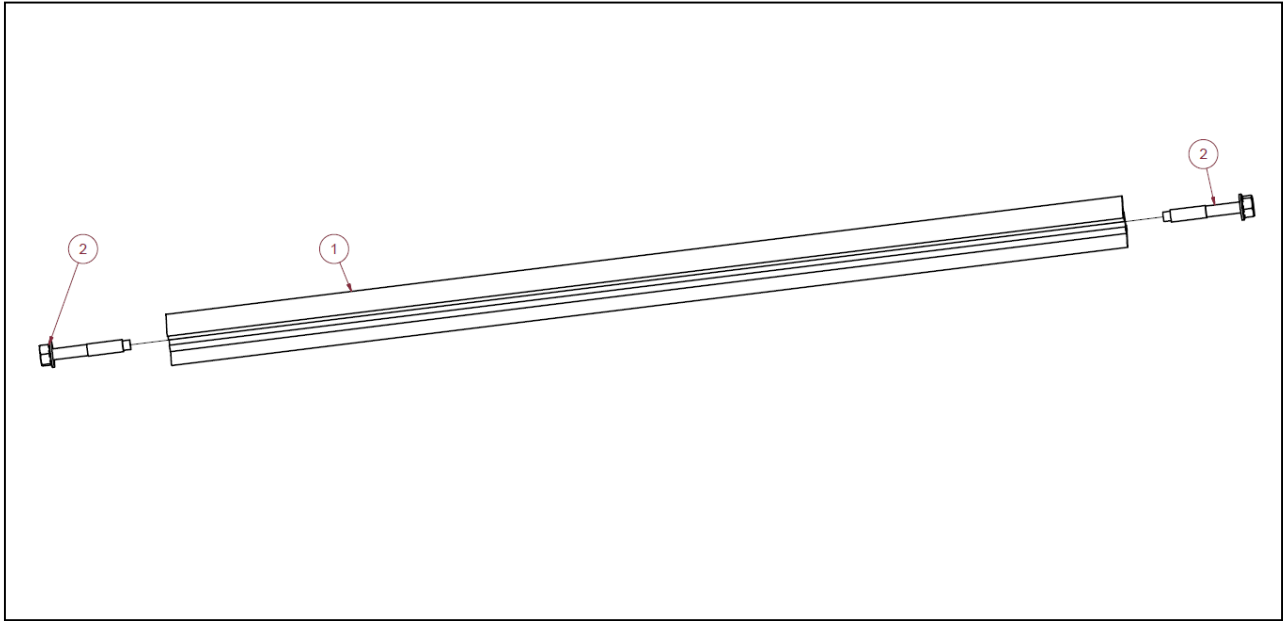
Stop Block Kit for Sidekick



Stop Block Kit for Sidekick, Part No. R04289

Item #	Part Description	Quantity
1	DAMPER - FOLDING RAMP	1
2	3/8"-16 X 1-3/4" HEX HD CAP SCREW SS	1
3	3/8"-16 CENTER LOCK NUT ZP	1

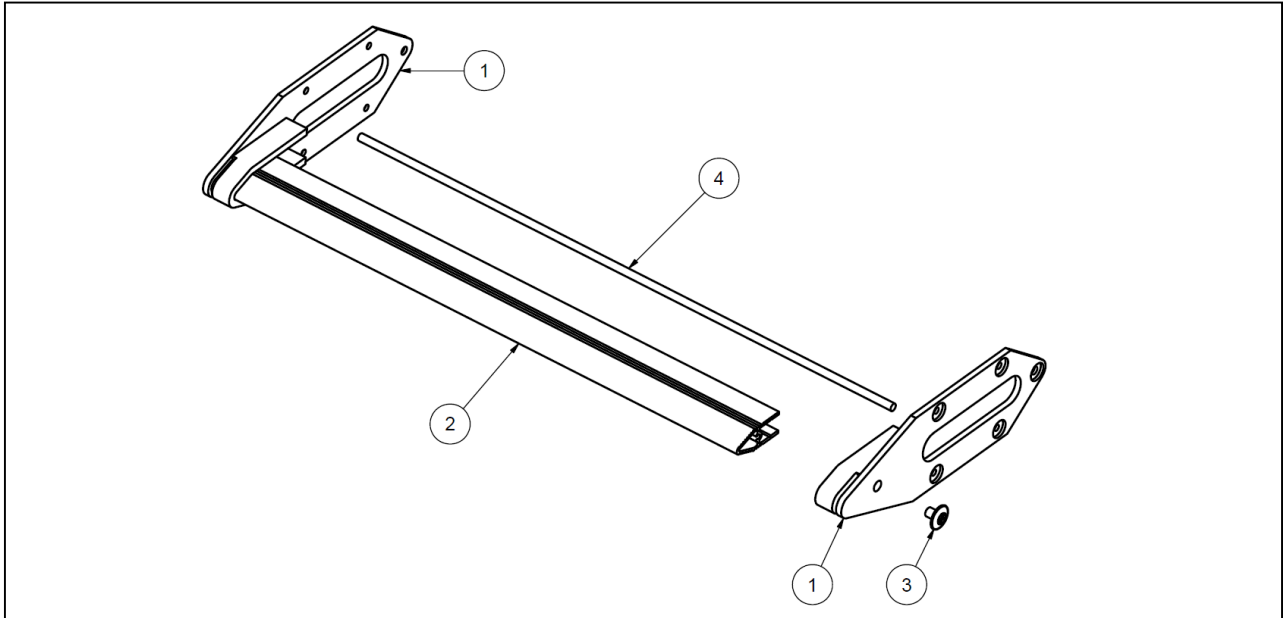
Tie Rod Replacement Kit 25-7/8" Wide



Tie Rod Replacement Kit 25-7/8" Wide, Part No. R04285

Item #	Part Description	Quantity
1	TIE ROD CUT TO STD 24-3/4"	1
2	TIE ROD SCREW	2

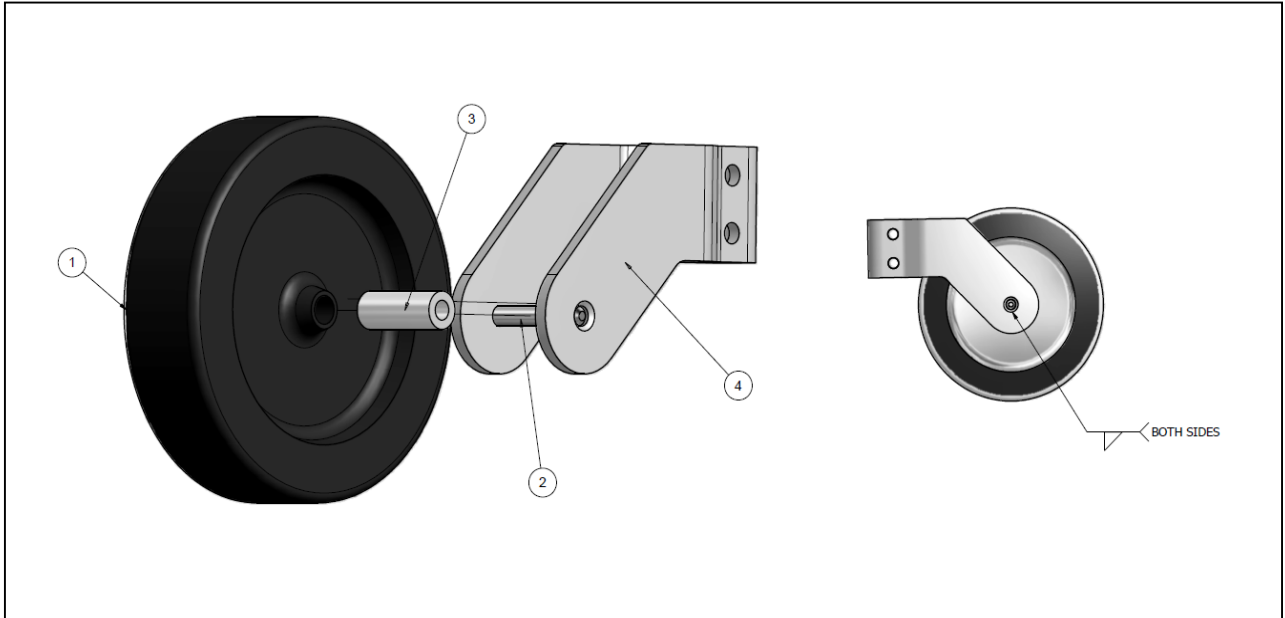
Toe Plate & Hardware Kit



Toe Plate & Hardware Kit, Part No. R03727

Item #	Part Description	Quantity
1	WEAR BAND / PLATE WELD ASSEMBLY	2
2	TRANSITION PLATE STD 25-1/8"	1
3	CAMTAINER NUT 5/16"-18 X 1/2" TORX #55	2
4	ALL THREAD 5/16"-18 X 25-5/8" LONG ZP	1
5	1/4"-20 NYLON INSERT STOP NUT SS	8
6	3/8"-16 X 1-3/4" HEX HD CAP SCREW SS	8
7	TIE ROD SCREW	2
8	TIE ROD CUT TO STD 24-3/4"	1
	FM-8.5-44 - WEAR BAND / PLATE RETROFIT INSTRUCTIONS (not shown)	1

Wheel, Sidekick Wheel Bracket Sub Assembly



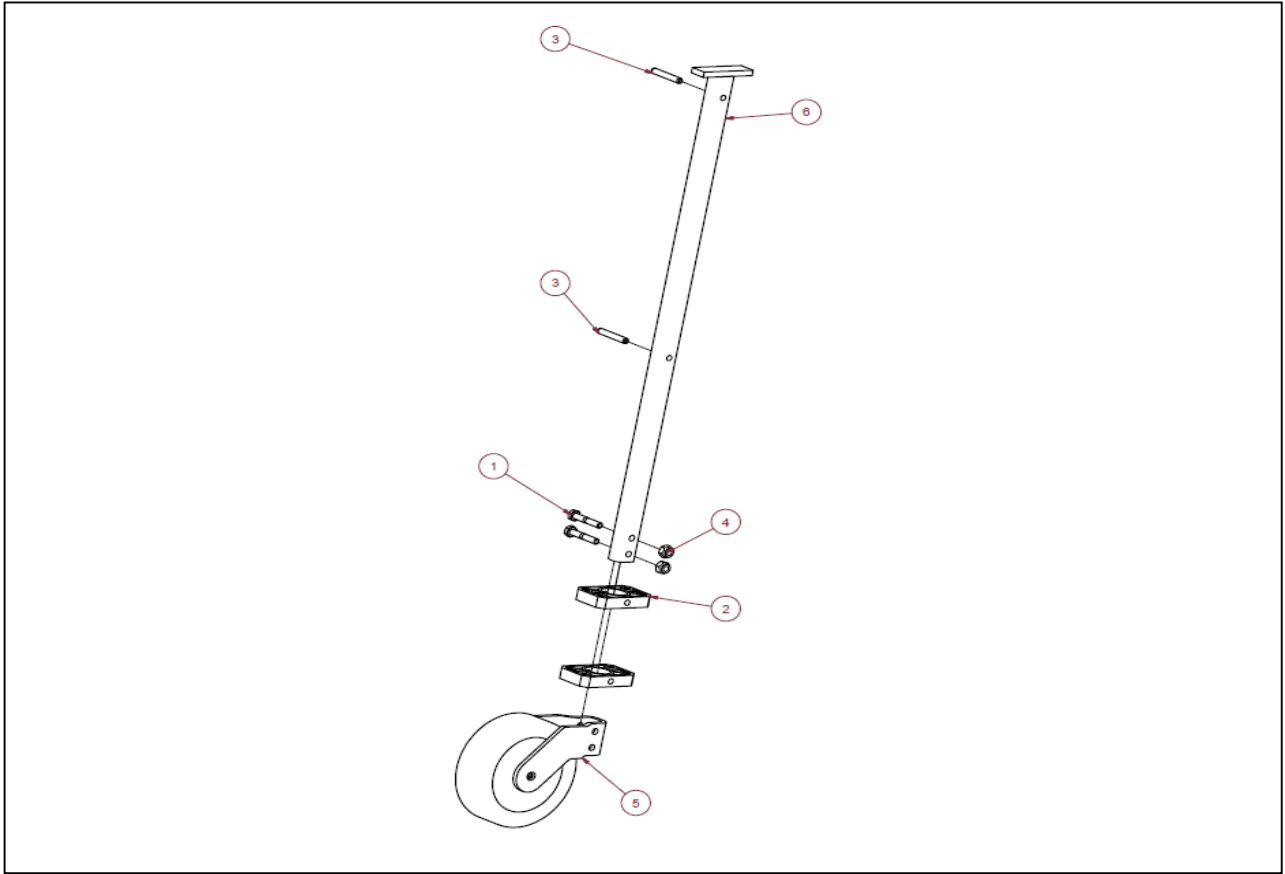
Wheel, Sidekick Wheel Bracket Sub Assembly, Part No. R02723

Item #	Part Description	Quantity
1	WHEEL 5" DIA X 1.25" WD X 1.375" HUB X .5 A	1
2	WHEEL AXLE - SK C-CHANNEL TYPE	1
3	1-3/8" LG X 1/2" OD X 1/4" SPACER SS	1
4	WHEEL MOUNT BRACKET Z/P	1

Note:

The original Sidekick Small Wheel is an obsolete product and replaced by the above wheel. If replacing the original small wheel – you need to purchase the full support leg assembly: **Sidekick Wheel Support Leg Assembly, Part No. R02647**

Wheel, Sidekick Wheel & Push Rod Assembly



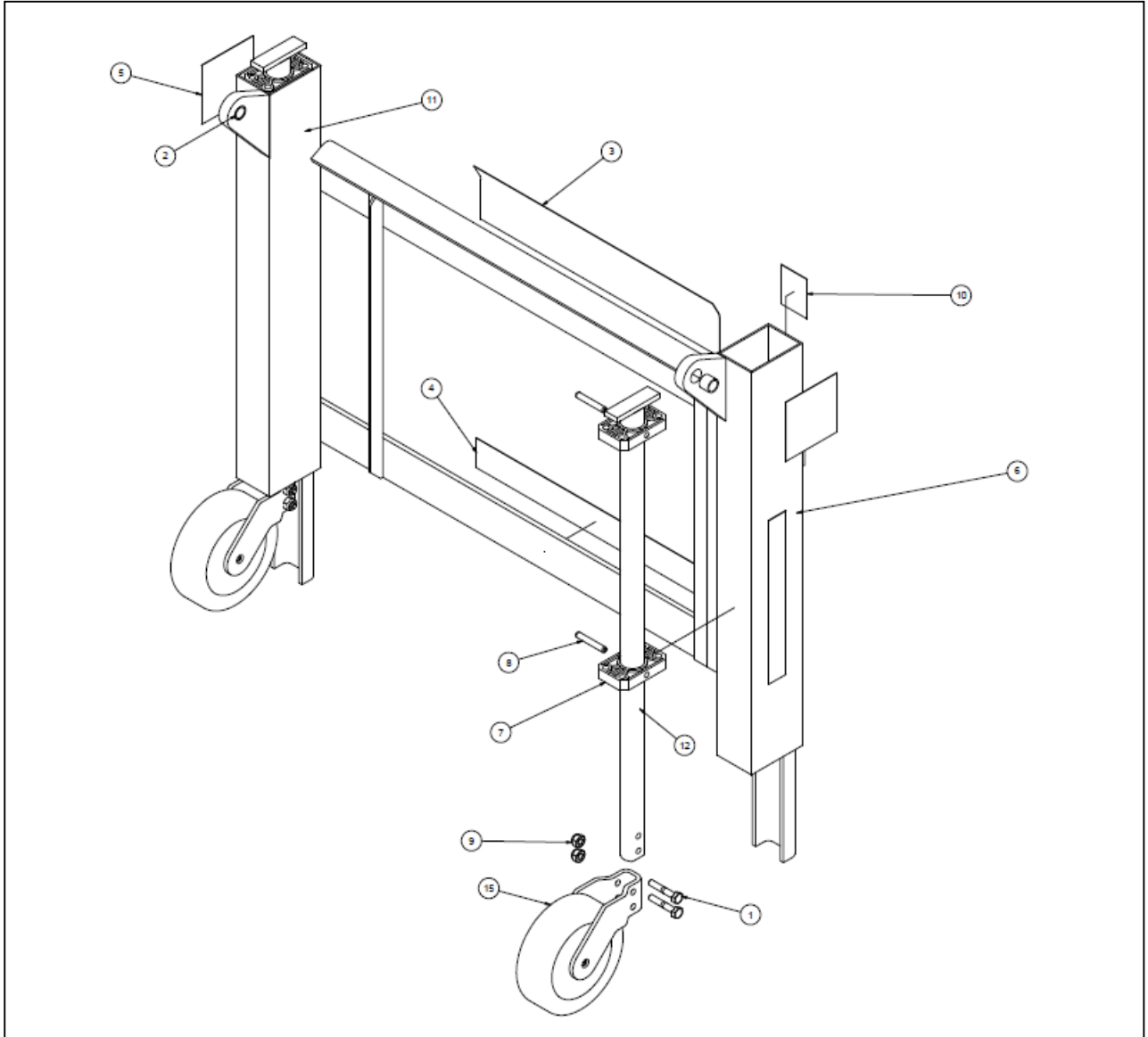
Wheel, Sidekick Big Wheel & Push Rod Assembly, Part No. R02822

Item #	Part Description	Quantity
1	1/4"-20 X 1-1/2" HHEX HD CAP SCREW ZP	2
2	GUIDE - FOLDING RAMP	2
3	ROLL PIN 1/4" DIA. X 1-5/8" SS	2
4	1/4"-20 NYLON INSERT STOP NUT SS	2
5	SK WHEEL AND BKT SUB ASSEMBLY	1
6	LEG EXTR W/ END CAP	1

Note:

The original Sidekick Small Wheel is an obsolete product and replaced by the above wheel. If replacing the original small wheel – you need to purchase the full support leg assembly: **Sidekick Wheel Support Leg Assembly, Part No. R02647**

Wheel, Sidekick Wheel Support Leg Assembly



Wheel, Sidekick Wheel Support Leg Assembly, Part No. R02647

Item #	Part Description	Quantity
1	1/4-20 X 1-1/2 HEX HD CAP SCREW ZP	4
2	BUSHING CAST BRZ OD .625 X ID.500	2

Wheel, Sidekick Wheel Support Leg Assembly (cont'd)

Item #	Part Description	Quantity
3	LABEL - CAUTION - SIDEKICK	1
4	LABEL - CAUTION WATCH HANDS	1
5	LABEL - CAUTION - SIDEKICK LEG	2
6	REFLECTIVE TAPE - RED 1"W X 8-5/16"L	2
7	GUIDE - ROADWARRIOR FOLDING RAMP	4
8	ROLL PIN 1/4 DIA. X 1-5/8 SS	4
9	1/4-20 NYLON INSERT STOP NUT SS	4
10	LABEL - TO DISENGAGE LATCH	1
11	SIDEKICK TUBE LEG W/ POST WELDMENT	1
12	LEG EXTR W/ END CAP	2
13	SK WHEEL AND BKT SUB ASSEMBLY	2

Note:

The original Sidekick Small Wheel is an obsolete product and replaced by the above wheel. If replacing the original small wheel – you need to purchase the full support leg assembly: **Sidekick Wheel Support Leg Assembly, Part No. R02647**