



A Clarience Technologies Company

Bustin Slide & Go Platform Parts Manual



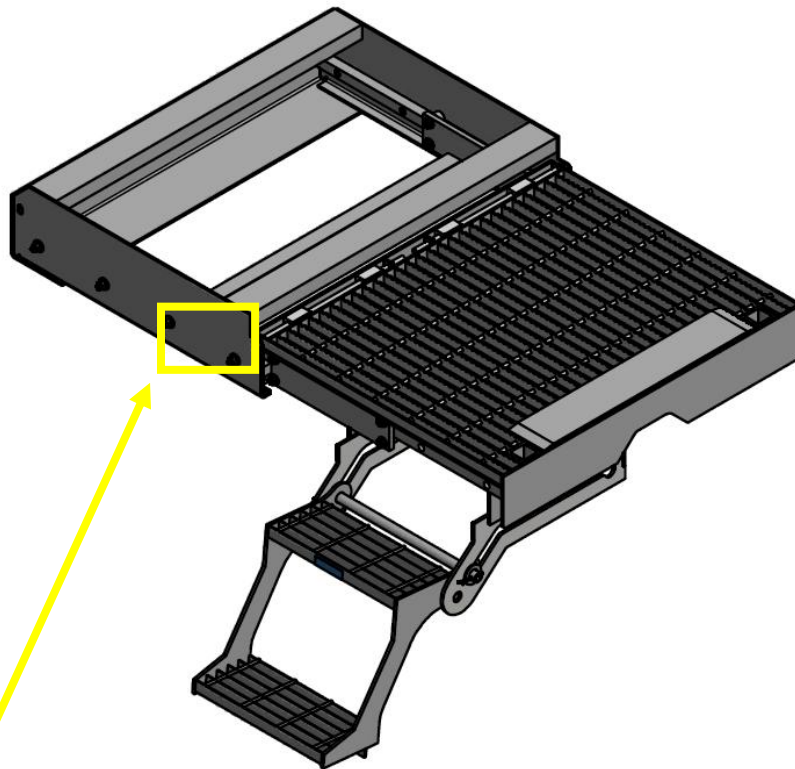
Table of Contents

Lot / Serial Number Location.....	3
Slide & Go Handle Kit	4
Slide & Go Actuator Kit	5
Slide & Go Latch Rod Kit	6
Replacement Parts	7

Lot / Serial Number Location

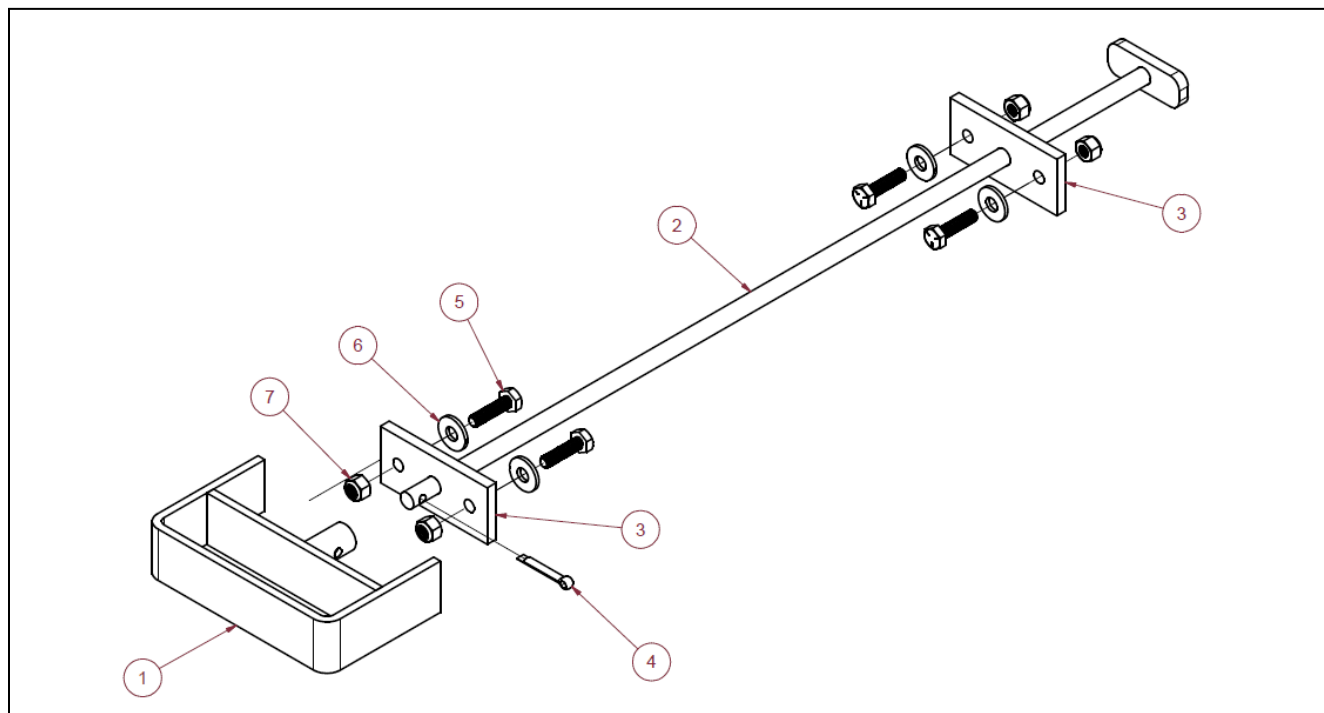
PLEASE NOTE:

Be sure to check the Serial Number before ordering parts.



Serial number located on the front left corner of the platform

Slide & Go Handle Kit

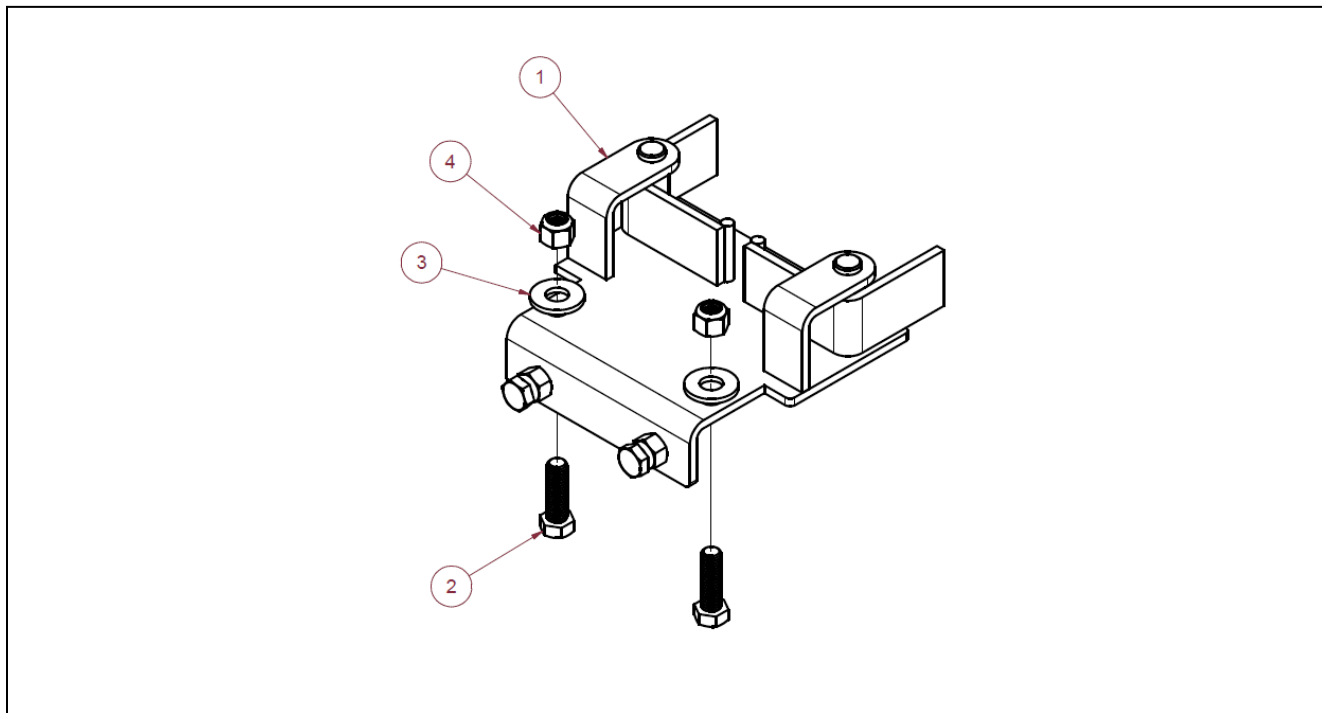


Slide & Go Handle Kit

Part No. R04810

Item #	Part Description	Quantity
1	RELEASE HANDLE	1
2	LATCH RELEASE	1
3	ROD BLOCK	2
4	COTTER PIN 3/16 x 1 18-8 SS	1
5	BOLT HHCS 1/4-20X1.0 ZP	4
6	WASHER FLAT 1/4 USS ZP SEE NOTE	4
7	NUT HEX LOCK NYLON INSERT 1/4-20 ZP	4

Slide & Go Actuator Kit

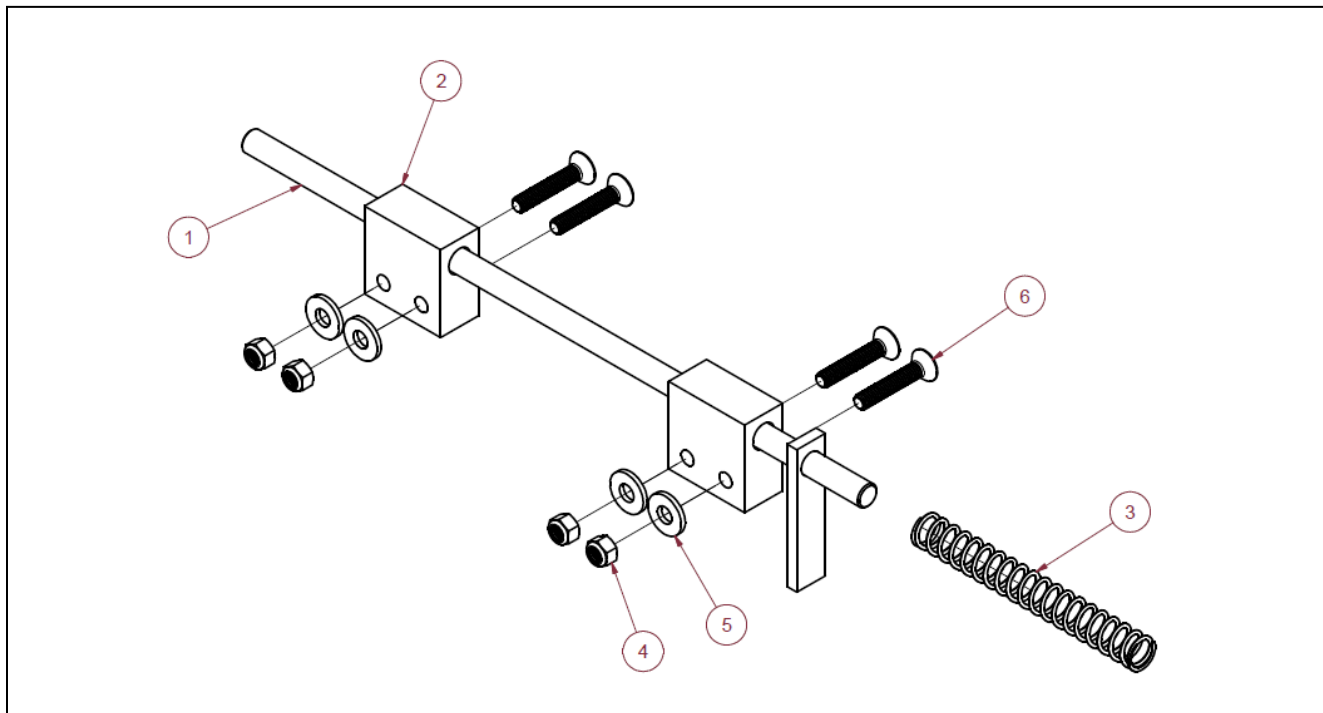


Slide & Go Actuator Kit

Part No. R04811

Item #	Part Description	Quantity
1	LATCH ACTUATOR ASSEMBLY	1
2	3/8-16 HHCS X 1.25	2
3	3/8 FLAT WASHER	2
4	3/8-16 HEX LOCK NUT	2

Slide & Go Latch Rod Kit



Slide & Go Latch Rod Kit

Part No. R04812

Item #	Part Description	Quantity
1	SLIDE & GO LATCH	1
2	WASHER FLAT 5/16 USS 18-8 SS SEE NOTE	2
3	NUT HEX LOCK NYLON INSERT 5/16-18 ZP	1
4	LEE COMP SPRING 0.709OD 10.39# 5.709Lg	4
5	BOLT HHCS 1/4-20X1.0 ZP	4
6	WASHER FLAT 1/4 USS ZP SEE NOTE	4

Replacement Parts



For other Slide and Go Platform replacement parts inquiries or to place an order please contact your Customer Development Representative at 816-318-8000 Ext. 5000.