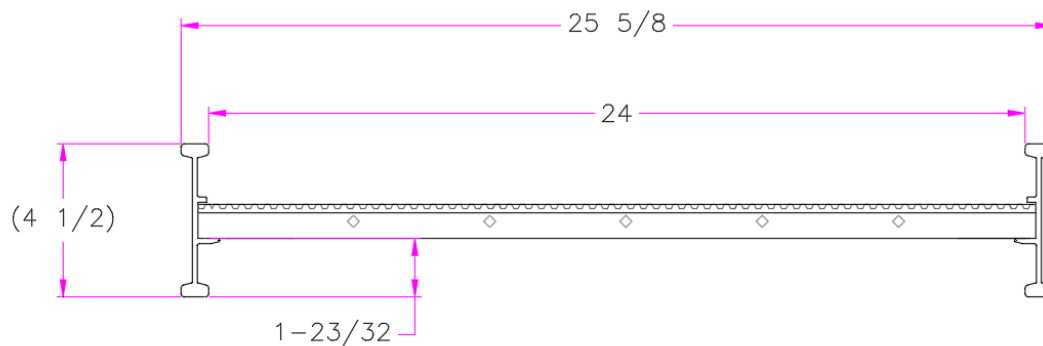


## Bustin Gladiator™ Ramp Specification Chart

Part # Apron Bolt On	Part # Apron Hook On	Ramp Length	Useable Width (ID)	Ramp Width (OD)	Rail Height	Recommended Deck Height	Approx. Weight
GLA108B	GLH108	16'	24"	25-5/8"	4-1/2"	57" to 64"	105 lbs.
GLA110B	GLH110	14'	24"	25-5/8"	4-1/2"	48" to 56"	91 lbs.
GLA112B	GLH112	12'	24"	25-5/8"	4-1/2"	40" to 47"	80 lbs.
GLA114B	GLH114	10'	24"	25-5/8"	4-1/2"	31" to 39"	68 lbs.
GLA116B	GLH116	8'	24"	25-5/8"	4-1/2"	22" to 30"	56 lbs.

Load Capacity of ramps is 1,000 lbs.  
Actual size may vary slightly

Maximum widths are shown in the table.



## Bustin Gladiator™ Carrier Specification Chart

Carrier Length	Width & Height of Carrier Body	Width & Height of End Gate	Approx. Weight
16'	26.6" W x 5.2" H	27.2" W x 6.2" H	275 lbs.
14'	26.6" W x 5.2" H	27.2" W x 6.2" H	260 lbs.

16' Carrier is for 16' Ramp  
 14' Carrier is for 14', 12', and 10' Ramps

