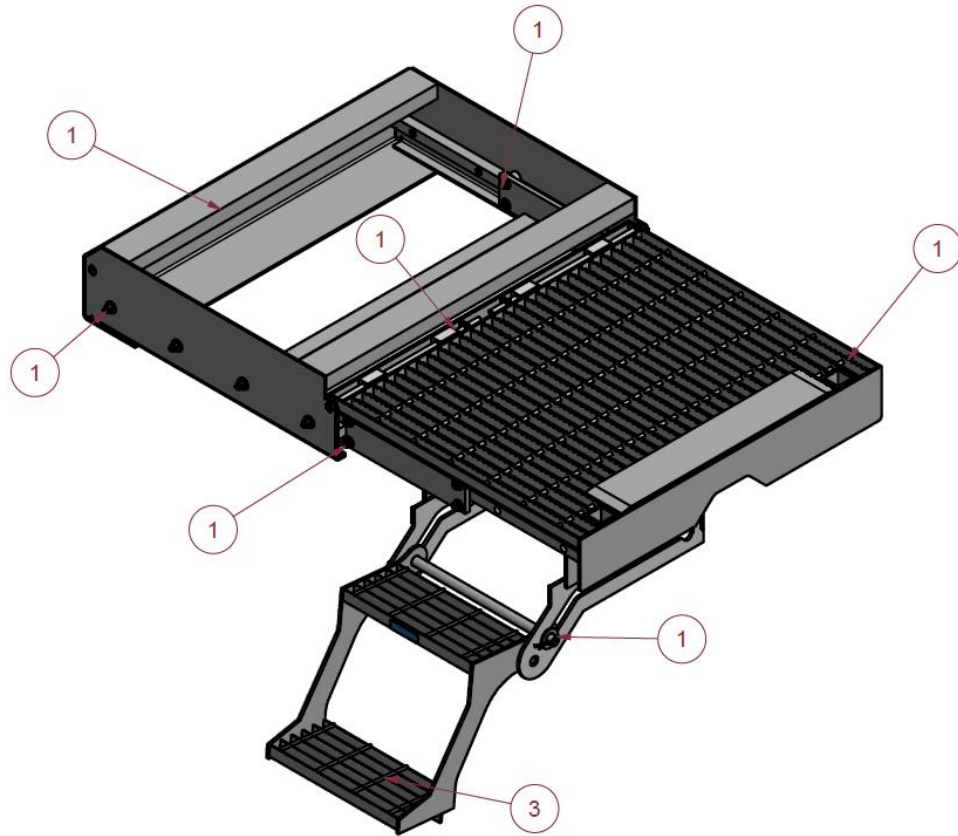


Bustin Slide & Go Platform Preventative Maintenance & Usage Guidelines

This Preventative Maintenance and Usage guideline is to inform users that regular inspection of your platform and steps must be completed every three months and it's advisable that drivers inspect the platform and steps daily before use. Using a damaged platform and steps could result in bodily injury. Use only R•O•M replacement parts for repairs call 800-827-3692.

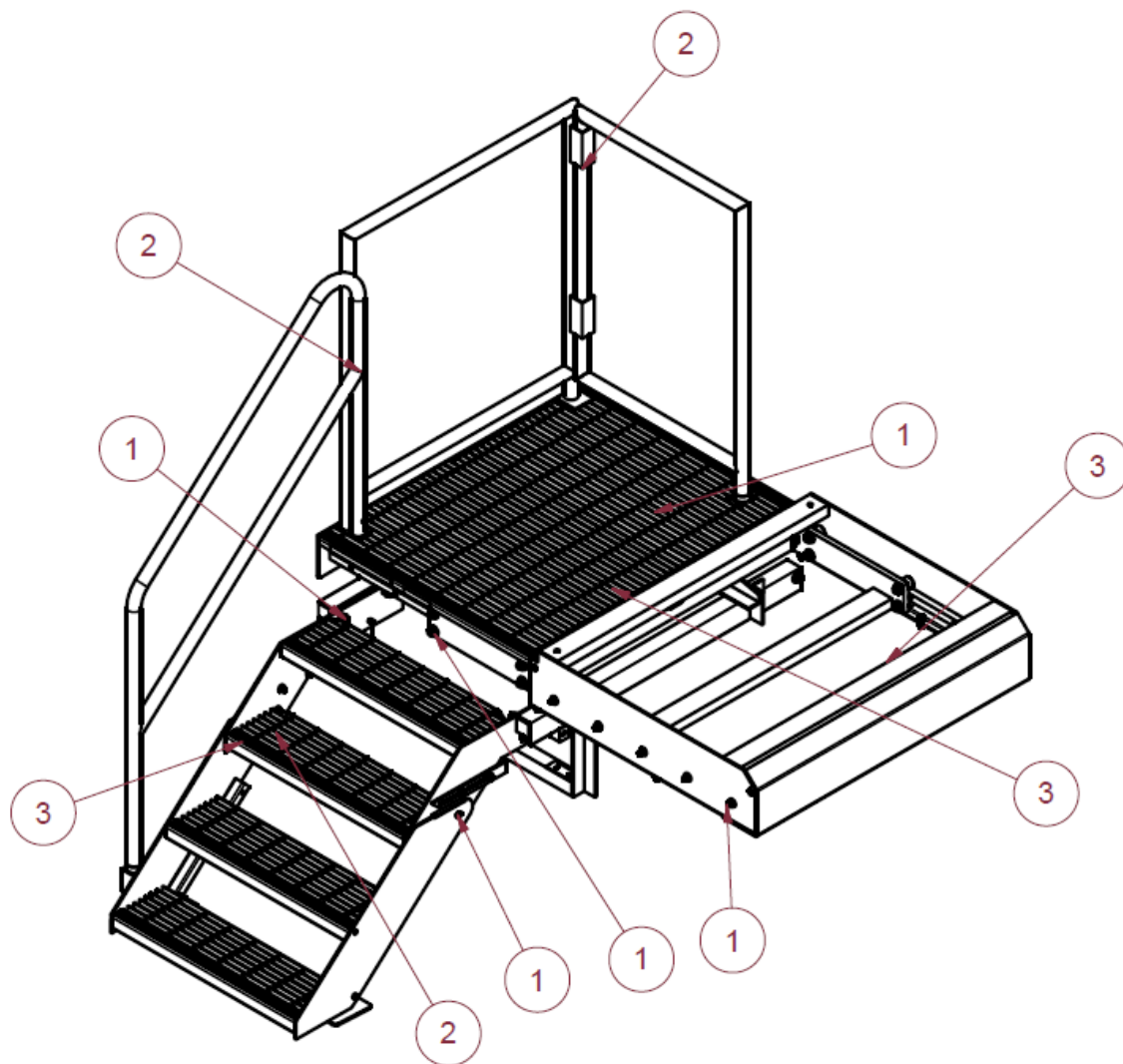
SG-100 Series

- (1) Inspect all hardware (nuts, bolts, rollers, ect...) for damage, wear, missing, or loosening
- (2) Visually inspect all welds for damage, cracks, or
- (3) Check entire system for excessive wear or damage



SG-200 Series

- (1) Inspect all hardware (nuts, bolts, rollers, ect...) for damage, wear, missing, or loosening
- (2) Visually inspect all welds for damage, cracks, or
- (3) Check entire system for excessive wear or damage



IMPORTANT: R•O•M also recommends that the platform be used on a level surface. Be sure to regularly inspect your platform for loose fasteners, and repair or replace damaged parts. Any parts that are damaged or loose can cause serious injury. Improper usage of the platform can cause damage and possibly void any remaining warranty. Please contact your Customer Development Representative at 800-827-3692.